

Canon SERVICE INFORMATION

Issued by Office Imaging Products Quality Assurance Center, Canon Inc.

MODEL: GP216/215/211/210/200

No. : F-04-E99003/J99005

DATE : APR.,1999

LOCATION

SUBJECT : Revised Parts Catalog

We are issuing revised Parts Catalog. Please go over the descriptions that follow for the catalog.

The catalog has been revised to accommodate the addition of new models and accessory PCB.

Particulars

Name of Parts Catalog: GP216/215/211/210/200

Type of Revision : Full revision

Kindly replace the previous with the one being issued.

FY8-31CJ-04Y

Printed in Japan
Imprimé au Japon

R E V I S I O N P A G E L I S T

Model : GP216/215/211/210/200

Page 2

OLD		REVI-SION	NEW	
FIGURE	PAGE		FIGURE	PAGE
3	1	R	3	1
	2	R		2
	3	R		3
	4	R		4
	5	R		5
	6	D		
A	1	R	A	1
	2	R		2
	3	R		3
	4	R		4
	5	R		5
	6	R		6
	7	R		7
	8	R		8
	9	R		9
	10	R		10
		S		11
		S		12
		S		13
		S		14
		S		15
100	1	R	100	1
	2	R		2
	3	R		3
	4	R		4
		S		5
100A	1	D		

OLD		REVI-SION	NEW	
FIGURE	PAGE		FIGURE	PAGE
100A	2	D		
	3	D		
	4	D		
	5	D		
101	1	R	101	1
	2	R		2
	3	R		3
101A	1	D		
	2	D		
	3	D		
102	1	R	102	1
	2	R		2
	3	R		3
	4	R		4
102A	1	D		
	2	D		
	3	D		
	4	D		
103	1	R	103	1
	2	R		2
	3	R		3
103A	1	D		
	2	D		
	3	D		

R E V I S I O N P A G E L I S T

Model : GP216/215/211/210/200

OLD		REVI-SION	NEW	
FIGURE	PAGE		FIGURE	PAGE
104	1	R	104	1
	2	R		2
	3	R		3
	4	R		4
	5	R		5
	6	R		6
104A	1	D		
	2	D		
	3	D		
	4	D		
	5	D		
	6	D		
110	1	R	110	1
	2	R		2
111	1	R	111	1
	2	R		2
111A	1	D		
	2	D		
120	1	R	120	1
	2	R		2
	3	R		3
130	1	R	130	1
	2	R		2
	3	R		3

OLD		REVI-SION	NEW	
FIGURE	PAGE		FIGURE	PAGE
130	4	R	130	4
130A	1	D		
	2	D		
	3	D		
	4	D		
160	1	R	160	1
180	1	R	180	1
	2	R		2
180A	1	D		
	2	D		
190	1	R	190	1
191	1	R	191	1
191A	1	D		
210	1	R	210	1
	2	R		2
	3	R		3
	4	R		4
	5	R		5
	6	R		6
210A	1	D		
	2	D		

R E V I S I O N P A G E L I S T

Model : GP216/215/211/210/200

Page 4

OLD		REVI-SION	NEW	
FIGURE	PAGE		FIGURE	PAGE
210A	3	D		
	4	D		
	5	D		
	6	D		
	7	D		
250	1	R	250	1
	2	R		2
	3	R		3
280	1	R	280	1
	2	R		2
		S		3
280A	1	D		
	2	D		
300	1	R	300	1
	2	R		2
	3	R		3
310	1	R	310	1
		S		2
	2	R		3
	3	R		4
		S		5
310A	1	D		
	2	D		
	3	D		

OLD		REVI-SION	NEW	
FIGURE	PAGE		FIGURE	PAGE
326	1		326	1
	2	R		2
330	1	R	330	1
	2	R		2
335	1	R	335	1
	2	R		2
	3	R		3
335A	1	D		
	2	D		
	3	D		
336	1	R	336	1
	2	R		2
		S		3
337	1	R	337	1
	2	R		2
	3	R		3
337A	1	D		
	2	D		
	3	D		
341	1	R	341	1
	2	R		2
		S		3

R E V I S I O N P A G E L I S T

Model : GP216/215/211/210/200

OLD		REVI-SION	NEW	
FIGURE	PAGE		FIGURE	PAGE
350	1	R	350	1
	2	R		2
	3	R		3
	4	R		4
	5	R		5
		S		6
350A	1	D		
	2	D		
	3	D		
	4	D		
	5	D		
355	1	R	355	1
	2	R		2
		S		3
355A	1	D		
	2	D		
400	1	R	400	1
	2	R		2
	3	R		3
401	1	R	401	1
	2	R		2
460	1	R	460	1
460A	1	D		

OLD		REVI-SION	NEW	
FIGURE	PAGE		FIGURE	PAGE
510	1	R	510	1
640	1	R	640	1
	2	R		2
	3	R		3
	4	R		4
640A	1	D		
	2	D		
	3	D		
	4	D		
810	1	R	810	1
	2	R		2
	3	R		3
	4	R		4
		S	900	1
		S		2
		S		3
		S		4
		S		5
910	1	R	910	1
	2	R		2
	3	R		3
	4	D		
	5	D		
	6	D		
	7	D		

R E V I S I O N P A G E L I S T

Model : GP216/215/211/210/200

Page 6

OLD		REVI-SION	NEW	
FIGURE	PAGE		FIGURE	PAGE
910	8	D		
	9	D		
	10	D		
	11	D		
	12	D		
	13	D		
	14	D		
	15	D		
	16	D		
	17	D		
	18	D		
	19	D		
	20	D		
	21	D		
	22	D		
	23	D		
	24	D		
	25	D		
	26	D		
	27	D		
	28	D		
	29	D		
	30	D		
	31	D		
	32	D		
920	1	R	920	1
	2	D		
	3	D		
	4	D		

OLD		REVI-SION	NEW	
FIGURE	PAGE		FIGURE	PAGE
920	5	D		
930	1	R	930	1
	2	D		
	3	D		
	4	D		
	5	D		
	6	D		
	7	D		
	8	D		
	9	D		
	10	D		
	11	D		
	12	D		
	13	D		
	14	D		
	15	D		
	16	D		
	17	D		
	18	D		
	19	D		
	20	D		
	21	D		
	22	D		
940	1	R	940	1
	2	D		
	3	D		
945	1	D		

R E V I S I O N P A G E L I S T

Model : GP216/215/211/210/200

Page 7

OLD		REVI-SION	NEW	
FIGURE	PAGE		FIGURE	PAGE
945	2	D		
950	1	R	950	1
	2	R		2
	3	R		3
	4	D		
	5	D		
	6	D		
	7	D		
	8	D		
	9	D		
	10	D		
	11	D		
	12	D		
	13	D		
	14	D		
	15	D		
	16	D		
	17	D		
	18	D		
	19	D		
	20	D		
	21	D		
	22	D		
	23	D		
	24	D		
	25	D		
	26	D		
950A	1	D		

OLD		REVI-SION	NEW	
FIGURE	PAGE		FIGURE	PAGE
950A	2	D		
	3	D		
	4	D		
	5	D		
	6	D		
	7	D		
	8	D		
	9	D		
	10	D		
	11	D		
	12	D		
	13	D		
	14	D		
	15	D		
	16	D		
	17	D		
	18	D		
	19	D		
	20	D		
	21	D		
	22	D		
	23	D		
	24	D		
	25	D		
970	1	D		
		S	988	1
		S		2
		S		3

R E V I S I O N P A G E L I S T

Model : GP216/215/211/210/200

Page 8

OLD		REVI-SION	NEW	
FIGURE	PAGE		FIGURE	PAGE
		S	989	1
		S		2
990	1	R	990	1
	2	D		
	3	D		
	4	D		
	5	D		
	6	D		
	7	D		
	8	D		
	9	D		
990A	1	D		
	2	D		
991	1	R	991	1
	2	R		2
	3	R		3
991A	1	D		
	2	D		
	3	D		
992	1	R	992	1
	2	R		2
	3	D		
	4	D		
	5	D		
	6	D		

OLD		REVI-SION	NEW	
FIGURE	PAGE		FIGURE	PAGE
992	7	D		
	8	D		
	9	D		
	10	D		
	11	D		
	12	D		
	13	D		
	14	D		
	15	D		
	16	D		
992A	1	D		
	2	D		
	3	D		
	4	D		
	5	D		
	6	D		
	7	D		
	8	D		
	9	D		
992B	1	D		
	2	D		
	3	D		
	4	D		
	5	D		
	6	D		
	7	D		
	8	D		
	9	D		

R E V I S I O N P A G E L I S T

Model : GP216/215/211/210/200



OLD		REVI-SION	NEW	
FIGURE	PAGE		FIGURE	PAGE
992B	10	D		
	11	D		
993	1	R	993	1
	2	R		2
	3	D		
	4	D		
	5	D		
	6	D		
993A	1	D		
	2	D		
994	1	D		
	2	D		
995	1	R	995	1
	2	R		2
995A	1	D		
	2	D		
996	1	R	996	1
	2	R		2
997	1	R	997	1
	2	R		2
998	1	R	998	1

OLD		REVI-SION	NEW	
FIGURE	PAGE		FIGURE	PAGE
998A	1	D		
B	1		B	1
	2	R		2
	3			3
	4	R		4
	5	R		5
	6	R		6
	7	R		7
	8	R		8
	9	R		9
	10	R		10
	11	R		11
	12	R		12
	13	R		13
	14	R		14
	15	R		15
	16	R		16
	17	R		17
	18	R		18
	19	R		19
	20	R		20
	21	R		21
	22	R		22
		S		23
		S		24

R E V I S I O N P A G E L I S T

Multi-PDL Printer Board-B1 Printer Board-P3

Model : _____



OLD		REVI-SION	NEW	
FIGURE	PAGE		FIGURE	PAGE
K	1		K	1
	2			2
	3	R		3
	4	R		4
KA	1		KA	1
K90	1	R	K90	1
	2	R		2
	3	R		3
	4	D		
	5	D		
	6	D		
	7	D		
	8	D		
	9	D		
	10	D		
	11	D		
	12	D		
	13	D		
	14	D		
	15	D		
	16	D		
	17	D		
	18	D		
	19	D		
	20	D		
	21	D		
	22	D		

OLD		REVI-SION	NEW	
FIGURE	PAGE		FIGURE	PAGE
K91	1	R	K91	1
	2	R		2
	3	R		3
	4	D		
	5	D		
	6	D		
	7	D		
	8	D		
	9	D		
	10	D		
	11	D		
	12	D		
	13	D		
	14	D		
	15	D		
	16	D		
	17	D		
	18	D		
	19	D		
K92	1	R	K92	1
	2	R		2
	3	R		3
	4	D		
	5	D		
	6	D		
	7	D		
	8	D		
	9	D		
	10	D		

REVISION PAGE LIST

Model : GP216/215/211/210/200

Page 27

OLD		REVI-SION	NEW	
FIGURE	PAGE		FIGURE	PAGE
C	1		C	1
	2			2
	3			3
	4			4
	5			5
	6			6
	7			7
	8			8
	9			9
D	1	R	D	1
	2	R		2
	3	R		3
	4	R		4
	5	R		5
	6	R		6
	7	R		7
	8	R		8
	9	R		9
	10	R		10
	11	R		11
	12	R		12
	13	R		13
	14	R		14
	15	R		15
	16	R		16
	17	R		17
	18	R		18
	19	R		19
	20	R		20

OLD		REVI-SION	NEW	
FIGURE	PAGE		FIGURE	PAGE
D	21	R	D	21
	22	R		22
	23	R		23
	24	R		24
	25	R		25
	26	D		
	27	D		
	28	D		
	29	D		
	30	D		
	31	D		
	32	D		
	33	D		
	34	D		
	35	D		
	36	D		
	37	D		
	38	D		
	39	D		
	40	D		
	41	D		
	42	D		
	43	D		
	44	D		
	45	D		
	46	D		
	47	D		
	48	D		
	49	D		
	50	D		

GP216/215/211/210/200

**PARTS
CATALOG**

REVISION 4

Canon

APR. 1999

FY8-31CJ-040

PREFACE

This Parts Catalog contains listings of parts used in the GP216/215/211/210/200. Diagrams are provided with the listings to aid the service technician in identifying clearly, the item to be ordered.

Whenever ordering parts, consult this Parts Catalog for all of the information pertaining to each item. Be sure to include, in the Parts Request, the full item description, the item part number and the quantity.

Canon Inc.

Office Imaging Products Technical Support Dept.3
Office Imaging Products Technical Support Div.
5-1, Hakusan 7-chome,
Toride-shi, Ibaraki 302-8501, Japan

COPYRIGHT © 1999 CANON INC.

Printed in Japan
Imprimé au Japon

CONTENTS

- GP216/215/211/210/200 -

A. ASSEMBLY LOCATION DIAGRAM

- 100. EXTERNAL COVERS, PANELS, ETC.
- 101. MACHINE FRONT PLATE
- 102. INTERNAL COMPONENTS 1
- 103. INTERNAL COMPONENTS 2
- 104. MACHINE REAR PLATE
- 110. POWER CORD TERMINAL ASSEMBLY
(100/120V EXCEPT NJS)
- 111. POWER CORD TERMINAL ASSEMBLY
(120V NJS/220/240V)
- 120. RIGHT DOOR ASSEMBLY
- 130. CONTROL PANEL ASSEMBLY
- 160. COPYBOARD COVER ASSEMBLY
- 180. COUNTER ASSEMBLY
- 190. EXHAUST FAN ASSEMBLY
- 191. LASER COOLING FAN ASSEMBLY

- 210. LENS MOUNT ASSEMBLY
- 250. MAIN DRIVE ASSEMBLY
- 280. FIXING DRIVE ASSEMBLY

- 300. CASSETTE
- 310. PAPER PICK-UP ASSEMBLY
- 326. MULTI FEEDER TRAY ASSEMBLY
- 330. FEEDER ASSEMBLY
- 335. LOWER PAPER FEEDER ASSEMBLY
(EXCEPT GP210/210F/GP211/211F)
- 336. LOWER FEED INLET FAN ASSEMBLY
(EXCEPT GP210/210F/211/211F)
- 337. LOWER FEED INLET ASSEMBLY
(EXCEPT GP210/210F/211/211F)
- 341. REGIST. FRONT GUIDE ASSEMBLY
- 350. DELIVERY ASSEMBLY
(EXCEPT GP210/210F/211/211F 100V)
- 355. DELIVERY ASSEMBLY
(GP210/210F/211/211F 100V)

- 400. MIRROR ASSEMBLY 1
- 401. MIRROR ASSEMBLY 2
- 460. SCANNER ASSEMBLY

- 510. DRUM CARTRIDGE

- 640. DEVELOPING ASSEMBLY

- 810. FIXING ASSEMBLY

- 900. PCB LOCATION DIAGRAM
- 910. DC POWER SUPPLY PCB ASSEMBLY
- 920. CONTROL PANEL CPU PCB ASSEMBLY
- 930. DC CONTROLLER PCB ASSEMBLY
- 940. PAPER PICK-UP PCB ASSEMBLY
- 950. IMAGE PROCESSOR PCB ASSEMBLY
- 988. MULTI PDL PRINTER BOARD PCB ASSEMBLY
(GP200E NJY/200F)
- 989. LIPS PRINTER BOARD PCB ASSEMBLY
(GP215P/216FP)
- 990. CORE IMAGE PROCESSOR PCB ASSEMBLY
(GP215F/210F/200/200D/200E/200F)
- 991. FAX ASSEMBLY (GP215F/210F/200E/200F)
- 992. FAX BOARD PCB ASSEMBLY
(GP215F/210F/200F/200E)
- 993. NCU BOARD PCB ASSEMBLY
(GP215F/210F/200E/200F)
- 995. EXPANSION BOARD ASSEMBLY (GP200/200D)
- 996. MULTI PDL PRINTER BOARD UNIT
(GP200E NJY/200F)
- 997. LIPS PRINTER BOARD UNIT (GP215P/216FP)
- 998. BOARD CASE ASSEMBLY (GP215/211/210)

B. LIST OF CONNECTORS

- Image Editing Unit-C1 -

CA. ASSEMBLY LOCATION DIAGRAM

- C10. IMAGE EDITING UNIT BODY
- C93. DC CONTROLLER PCB ASSEMBLY
- C96. CONVERTER PCB ASSEMBLY

- GP Expansion Board Base Unit-B1 -

FA. ASSEMBLY LOCATION DIAGRAM

- F10. EXPANSION BOARD KIT ASSEMBLY
- F11. SYSTEM POWER SUPPLY ASSEMBLY

- F91. PROTOCOL CONTROL PCB ASSEMBLY
- F92. CIST PCB ASSEMBLY

- GP Expansion Board Base Unit-A1 -

CONTENTS

<p>FA. ASSEMBLY LOCATION DIAGRAM</p> <p>F12. EXPANSION BOARD ASSEMBLY</p> <p style="padding-left: 20px;">- Multi-PDL Printer Board-B1 USA</p> <p>FA. ASSEMBLY LOCATION DIAGRAM</p> <p>F13. EXPANSION BOARD KIT ASSEMBLY</p> <p>F94. MULTI PDL PRINTER BOARD-B1 PCB ASSEMBLY (120V USA)</p> <p>F95. PRINTER BOARD-P3 PCB ASSEMBLY (120V USA)</p> <p style="padding-left: 20px;">- GP Expansion Board Base Unit-B2 -</p> <p>FA. ASSEMBLY LOCATION DIAGRAM</p> <p>F14. EXPANSION BOARD KIT ASSEMBLY</p> <p>F93. EXPANSION BOARD PCB ASSEMBLY</p> <p>F96. PS NETWORK PRINTER BOARD-C1 (100V)</p> <p>F97. NETWORK MULTI-PDL PRINTER BOARD-D1 (120/220/240V)</p> <p>F98. NETWORK PRINTER BOARD-E1 (120/220/240V)</p> <p style="padding-left: 20px;">- G3 FAX Board-C1 -</p> <p>GA. ASSEMBLY LOCATION DIAGRAM</p> <p>G10. FAX KIT</p> <p>G90. FAX BOARD PCB ASSEMBLY</p> <p>G91. NCU BOARD PCB ASSEMBLY</p> <p style="padding-left: 20px;">- Super G3 FAX Board-D1 -</p> <p>GA. ASSEMBLY LOCATION DIAGRAM</p> <p>G11. FAX KIT</p> <p>G92. FAX BOARD PCB ASSEMBLY</p> <p>G93. NCU BOARD PCB ASSEMBLY</p>	<p style="text-align: right;">- GP Hand Set-B1 -</p> <p>GA. ASSEMBLY LOCATION DIAGRAM</p> <p>G97. HAND SET KIT</p> <p style="padding-left: 20px;">- Multi-PDL Printer Board-B1</p> <p>KA. ASSEMBLY LOCATION DIAGRAM</p> <p>K90. MULTI PDL PRINTER BOARD-B1 PCB ASSEMBLY (220/240V)</p> <p>K91. PRINTER BOARD-P3 PCB ASSEMBLY (220/240V)</p> <p>K92. PS PRINTER BOARD-B1 PCB ASSEMBLY (100V)</p> <p>K95. KANJI ROM BOARD PCB ASSEMBLY (100V)</p> <p style="padding-left: 20px;">- Envelope Feeder Attachment -</p> <p>LA. ASSEMBLY LOCATION DIAGRAM</p> <p>L10. ENVELOPE FEEDER ATTACHMENT</p> <p style="padding-left: 20px;">- Image Creation Board-B1 -</p> <p>MA. ASSEMBLY LOCATION DIAGRAM</p> <p>M10. IMAGE CREATION BOARD KIT ASSEMBLY</p> <p>M90. IMAGE EDITING BOARD X PCB ASSEMBLY</p> <p>M91. IMAGE EDITING BOARD Y PCB ASSEMBLY</p> <p style="text-align: center;">- -</p> <p>UA. ASSEMBLY LOCATION DIAGRAM</p> <p>U90. LIPS PRINTER BOARD-B1 PCB ASSEMBLY (100V)</p> <p style="padding-left: 20px;">- Network Interface Board-E3 -</p> <p>VA. ASSEMBLY LOCATION DIAGRAM</p> <p>V90. NETWORK INTERFACE BOARD-E3 PCB ASS'Y</p>
--	--

CONTENTS

(120/220/240V)	(GP Hand Set-B1)
- Network Interface Board-E3e -	D10. NUMERICAL INDEX (Multi-PDL Printer Board-B1 Printer Board-P3)
VA. ASSEMBLY LOCATION DIAGRAM	D11. NUMERICAL INDEX (Envelope Feeder Attachment)
V92. NETWORK INTERFACE BOARD-E3e PCB ASS'Y (120/220/240V)	D12. NUMERICAL INDEX (Image Creation Board-B1)
- Network Interface Board-TR3 -	D13. NUMERICAL INDEX
VA. ASSEMBLY LOCATION DIAGRAM	D14. NUMERICAL INDEX (Network Interface Board-E3)
V94. NETWORK INTERFACE BOARD-TR3 PCB ASS'Y (120/220/240V)	D15. NUMERICAL INDEX (Network Interface Board-E3e)
- SCSI Interface Board-C1 -	D16. NUMERICAL INDEX (Network Interface Board-TR3)
YA. ASSEMBLY LOCATION DIAGRAM	D17. NUMERICAL INDEX (SCSI Interface Board-C1)
Y10. SCSI INTERFACE BOARD KIT	
Y90. SCSI INTERFACE BOARD PCB ASSEMBLY	
C. LIST OF STANDARD FASTENERS	
D1. NUMERICAL INDEX (GP216/215/211/210/200)	
D2. NUMERICAL INDEX (Image Editing Unit-C1)	
D3. NUMERICAL INDEX (GP Expansion Board Base Unit-B1)	
D4. NUMERICAL INDEX (GP Expansion Board Base Unit-A1)	
D5. NUMERICAL INDEX (Multi-PDL Printer Board-B1 USA Printer Board-P3 USA)	
D6. NUMERICAL INDEX (GP Expansion Board Base Unit-B2)	
D7. NUMERICAL INDEX (G3 FAX Board-C1)	
D8. NUMERICAL INDEX (Super G3 FAX Board-D1)	
D9. NUMERICAL INDEX	

GP216/215/211/210/200

LIST OF SERIAL NUMBER

Model A GP215

100V 50/60Hz	F13-2911	LDW00001-
220V 50Hz	F13-2921	UBY00001-
220V 50Hz	F13-2941	PTC00001-
240V 50Hz	F13-2951	QFY00001-
240V 50Hz	F13-2961	RBH00001-
220V 50Hz	F13-2971	SFY00001-
220V 50Hz	F13-2981	TFY00001-
220V 50Hz	F13-2991	UFY00001-

Model A GP200

120V 60Hz	F13-2931	NFY00001-
-----------	----------	-----------

Model A GP200F W / RDF

120V 60Hz	F13-2937	NFZ00001-
-----------	----------	-----------

Model A GP215F W / RDF

100V 50/60Hz	F13-2913	LDY00001-
--------------	----------	-----------

Model A GP215F W / ADF

100V 50/60Hz	F13-2914	LEP00001-
--------------	----------	-----------

Model A GP215F

220V 50Hz	F13-2928	UBZ00001-
220V 50Hz	F13-2978	SFZ00001-

Model A GP215P

100V 50/60Hz	F13-2916	LGC00001-
--------------	----------	-----------

Model A GP210

100V 50/60Hz	F13-2912	LGD00001-
220V 50Hz	F13-2922	PDG00001-
240V 50Hz	F13-2952	QDG00001-
220V 50Hz	F13-2972	SDG00001-
220V 50Hz	F13-2982	FDG00001-
220V 50Hz	F13-2992	UDG00001-

Model A GP210F W / ADF

100V 50/60Hz	F13-2915	LGE00001-
--------------	----------	-----------

LIST OF SERIAL NUMBER

Model B GP216

{ 100V 50/60Hz F13-6911 LHU00001- }

Model B GP216F W / RDF

{ 100V 50/60Hz F13-6913 LHW00001- }

Model B GP216F W / ADF

{ 100V 50/60Hz F13-6914 LHX00001- }

Model B GP216FP W / RDF

{ 100V 50/60Hz F13-6916 LJQ00001- }

Model B GP215

{ 120V 60Hz F13-6901 NJS00001-
220V 50Hz F13-6921 PGP00001-
220V 50Hz F13-6941 PGS00001-
240V 50Hz F13-6951 QCH00001-
240V 50Hz F13-6961 RBQ00001-
220V 50Hz F13-6971 SBL00001-
220V 50Hz F13-6981 TBN00001-
220V 50Hz F13-6991 UDY00001- }

Model B GP215F

{ 220V 50Hz F13-6928 PGR00001-
220V 50Hz F13-6978 SBN00001- }

Model B GP211

{ 100V 50/60Hz F13-6912 LHV00001-
220V 50Hz F13-6942 PHB00001-
240V 50Hz F13-6962 RCN00001- }

Model B GP211F W / ADF

{ 100V 50/60Hz F13-6915 LHZ00001- }

Model B GP210

{ 220V 50Hz F13-6922 PGQ00001-
240V 50Hz F13-6952 QCJ00001-
220V 50Hz F13-6972 SBM00001-
220V 50Hz F13-6982 TBP00001-
220V 50Hz F13-6992 UED00001- }

Model B GP210F

{ 220V 50Hz F13-6929 PLZ00001-
220V 50Hz F13-6979 SBP00001- }

Model B GP200D W / RDF

{ 120V 60Hz F13-6937 NJQ00001- }

Model B GP200E W / RDF

{ 120V 60Hz F13-6936 NJY00001-
120V 60Hz F13-6946 NKM00001- }

Model B GP200S

{ 120V 60Hz F13-6931 NJP00001- }

CONTENTS

A.	ASSEMBLY LOCATION DIAGRAM	910.	DC POWER SUPPLY PCB ASSEMBLY
100.	EXTERNAL COVERS, PANELS, ETC.	920.	CONTROL PANEL CPU PCB ASSEMBLY
101.	MACHINE FRONT PLATE	930.	DC CONTROLLER PCB ASSEMBLY
102.	INTERNAL COMPONENTS 1	940.	PAPER PICK-UP PCB ASSEMBLY
103.	INTERNAL COMPONENTS 2	950.	IMAGE PROCESSOR PCB ASSEMBLY
104.	MACHINE REAR PLATE	988.	MULTI PDL PRINTER BOARD PCB ASSEMBLY (GP200E NJY/200F)
110.	POWER CORD TERMINAL ASSEMBLY (100/120V EXCEPT NJS)	989.	LIPS PRINTER BOARD PCB ASSEMBLY (GP215F/216FP)
111.	POWER CORD TERMINAL ASSEMBLY (120V NJS/220/240V)	990.	CORE IMAGE PROCESSOR PCB ASSEMBLY (GP215F/210F/200/200D/200E/200F)
120.	RIGHT DOOR ASSEMBLY	991.	FAX ASSEMBLY (GP215F/210F/200E/200F)
130.	CONTROL PANEL ASSEMBLY	992.	FAX BOARD PCB ASSEMBLY (GP215F/210F/200F/200E)
160.	COPYBOARD COVER ASSEMBLY	993.	NCU BOARD PCB ASSEMBLY (GP215F/210F/200E/200F)
180.	COUNTER ASSEMBLY	995.	EXPANSION BOARD ASSEMBLY (GP200/200D)
190.	EXHAUST FAN ASSEMBLY	996.	MULTI PDL PRINTER BOARD UNIT (GP200E NJY/200F)
191.	LASER COOLING FAN ASSEMBLY	997.	LIPS PRINTER BOARD UNIT (GP215P/216FP)
210.	LENS MOUNT ASSEMBLY	998.	BOARD CASE ASSEMBLY (GP215/211/210)
250.	MAIN DRIVE ASSEMBLY		
280.	FIXING DRIVE ASSEMBLY		
300.	CASSETTE	B.	LIST OF CONNECTORS
310.	PAPER PICK-UP ASSEMBLY		
326.	MULTI FEEDER TRAY ASSEMBLY	D1.	NUMERICAL INDEX
330.	FEEDER ASSEMBLY		
335.	LOWER PAPER FEEDER ASSEMBLY (EXCEPT GP210/210F/GP211/211F)		
336.	LOWER FEED INLET FAN ASSEMBLY (EXCEPT GP210/210F/211/211F)		
337.	LOWER FEED INLET ASSEMBLY (EXCEPT GP210/210F/211/211F)		
341.	REGIST. FRONT GUIDE ASSEMBLY		
350.	DELIVERY ASSEMBLY (EXCEPT GP210/210F/211/211F 100V)		
355.	DELIVERY ASSEMBLY (GP210/210F/211/211F 100V)		
400.	MIRROR ASSEMBLY 1		
401.	MIRROR ASSEMBLY 2		
460.	SCANNER ASSEMBLY		
510.	DRUM CARTRIDGE		
640.	DEVELOPING ASSEMBLY		
810.	FIXING ASSEMBLY		
900.	PCB LOCATION DIAGRAM		

FIGURE A ASSEMBLY LOCATION DIAGRAM(1/15)

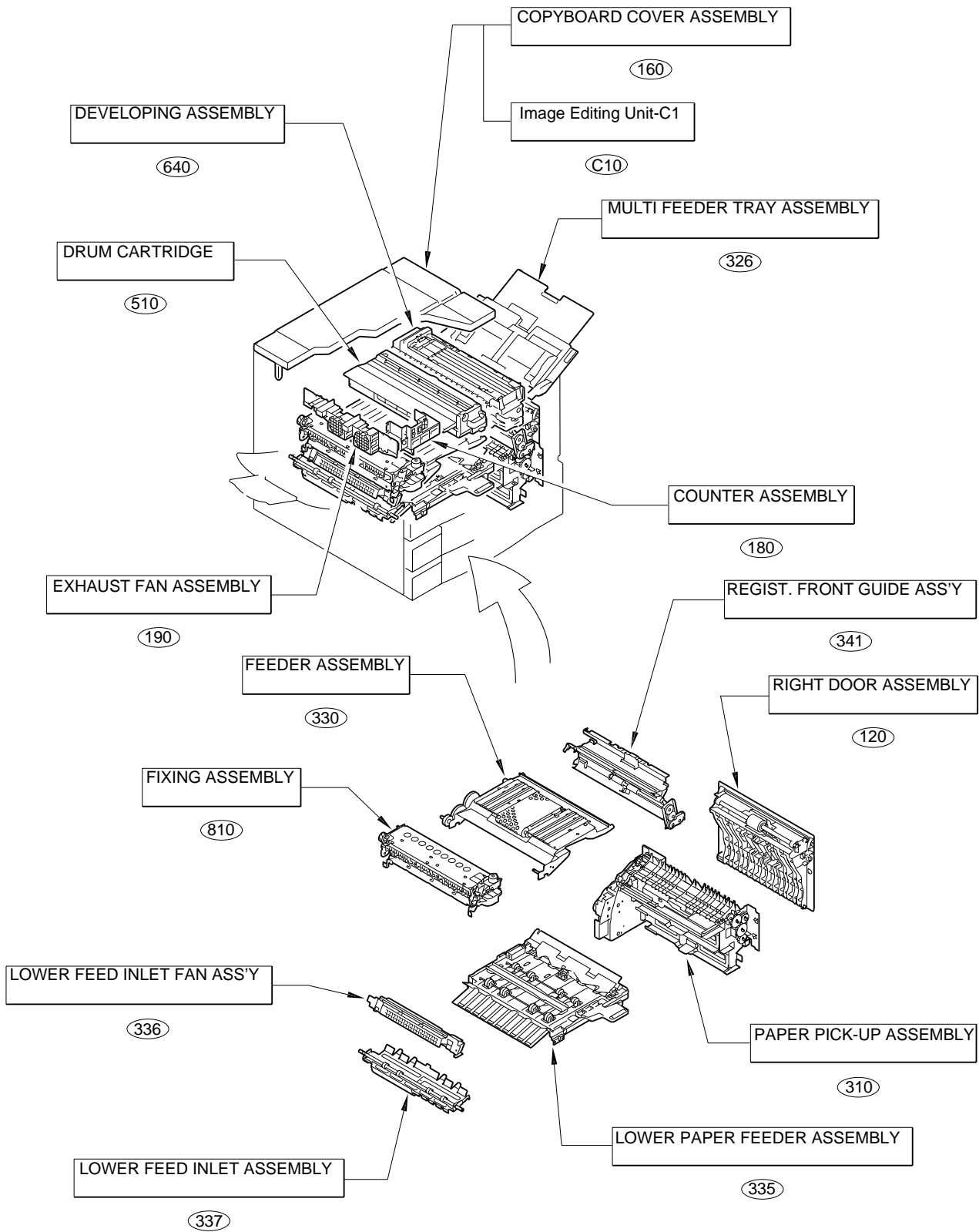


FIGURE A ASSEMBLY LOCATION DIAGRAM(2/15)

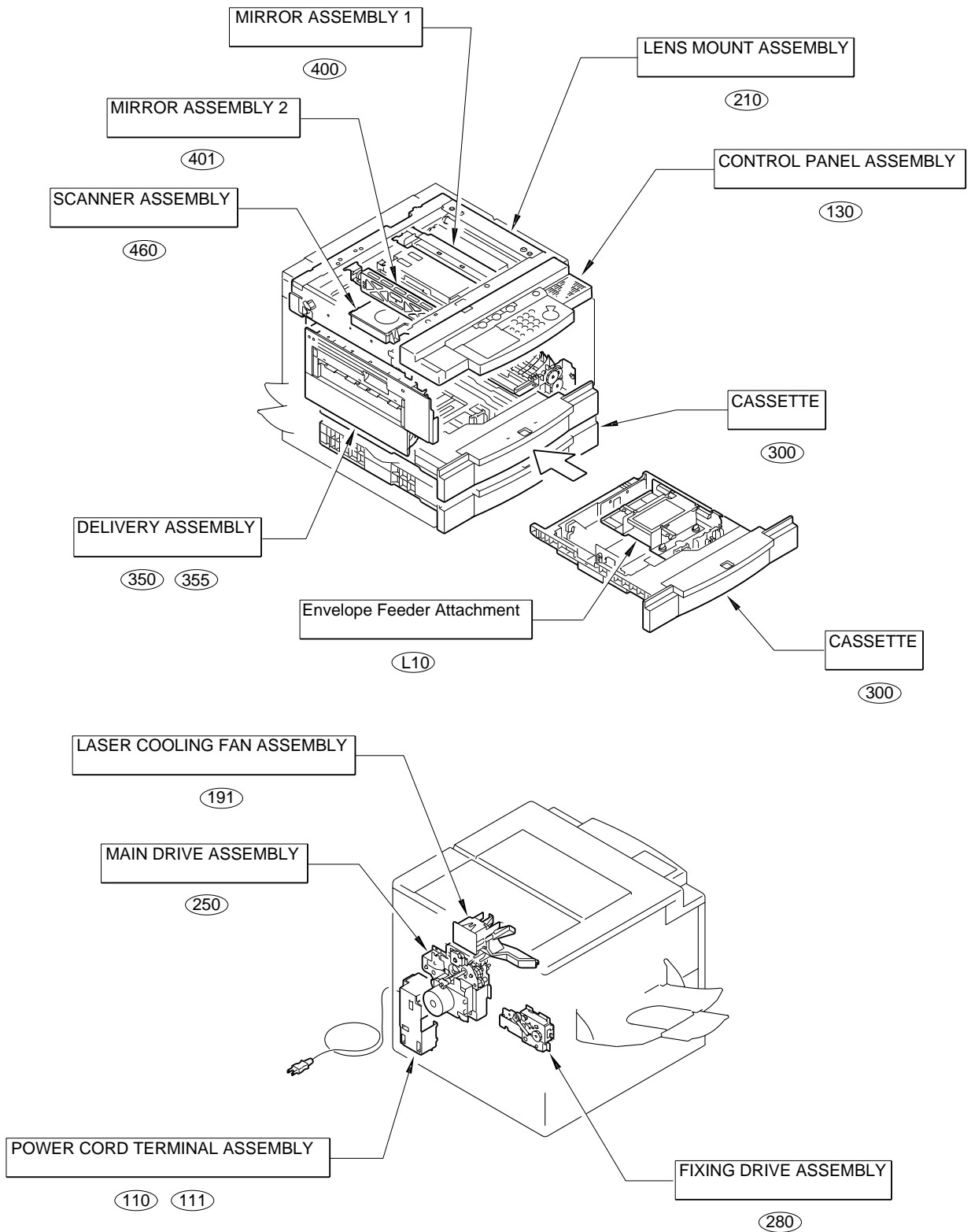


FIGURE A ASSEMBLY LOCATION DIAGRAM(3/15)

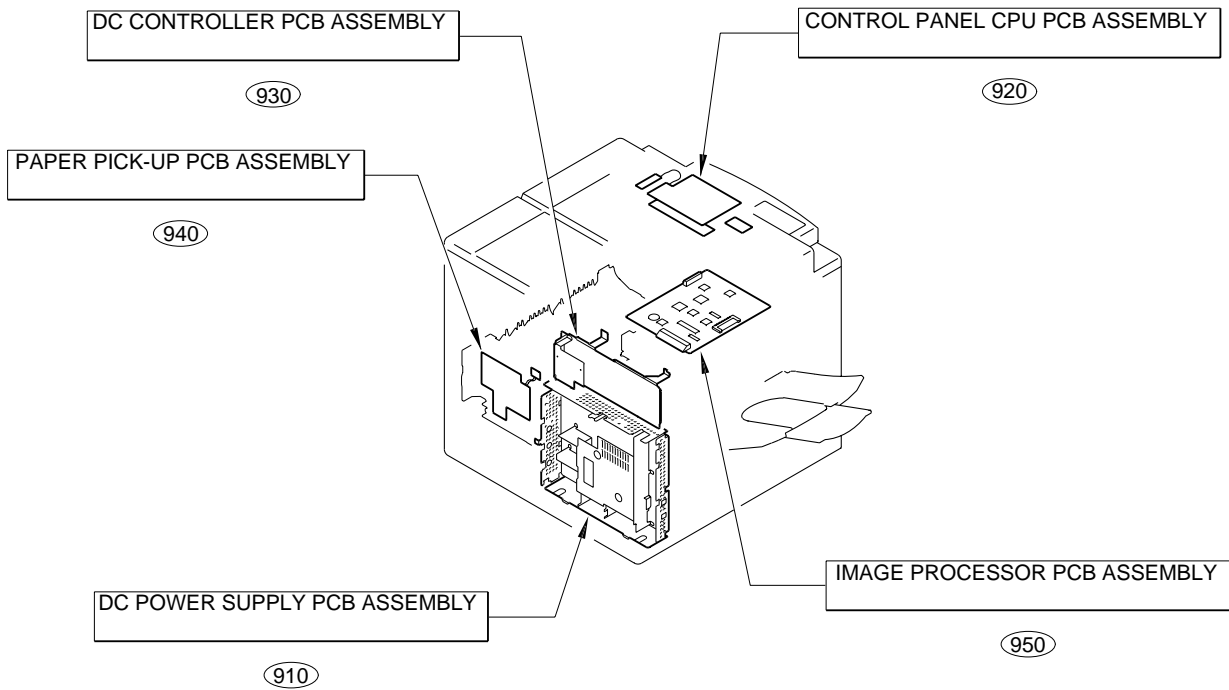


FIGURE A ASSEMBLY LOCATION DIAGRAM(4/15)

Model A GP215 (100/220/240V)

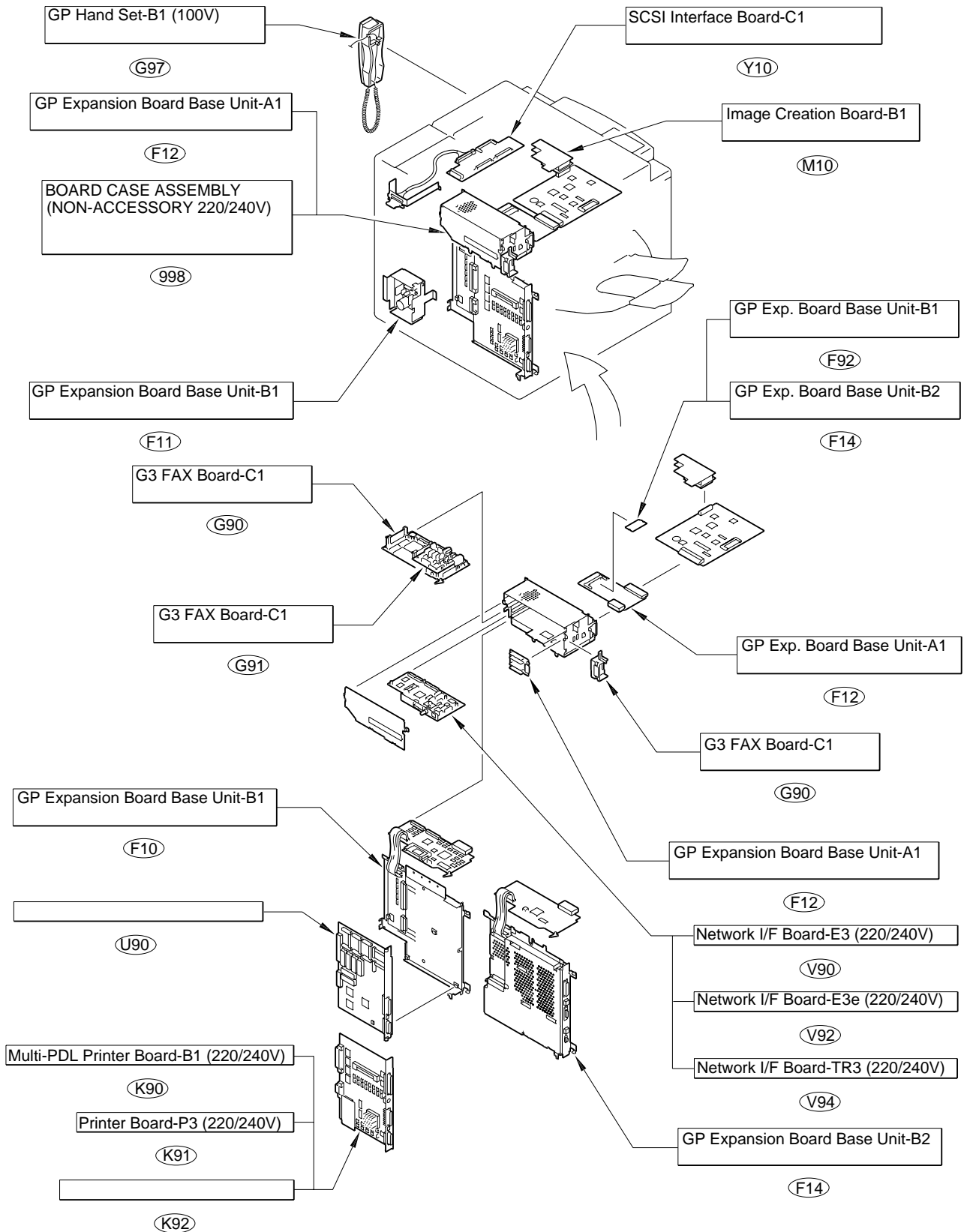


FIGURE A ASSEMBLY LOCATION DIAGRAM(5/15)

Model B GP216 (100V)
 Model B GP215 (120/220/240V)

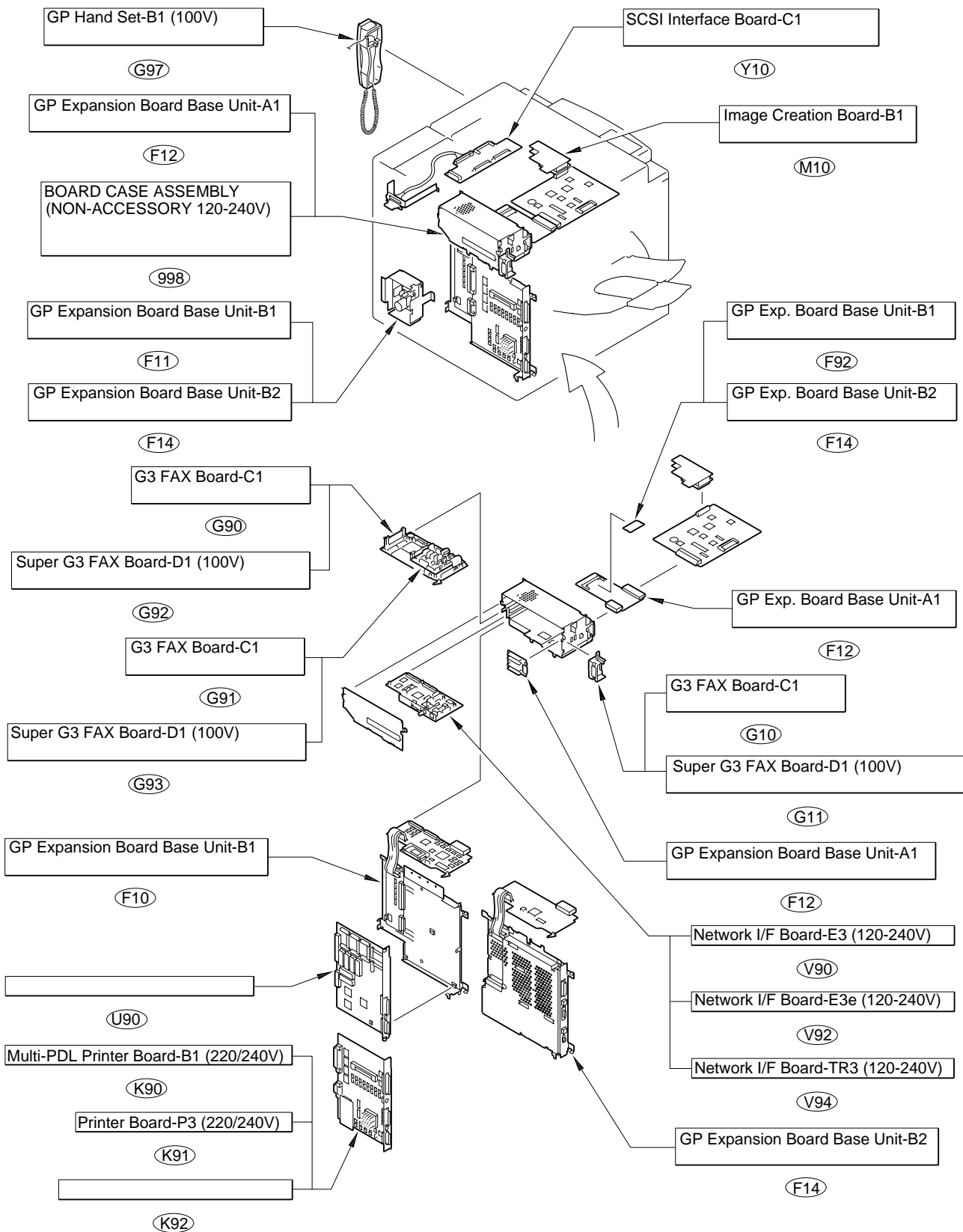


FIGURE A ASSEMBLY LOCATION DIAGRAM(6/15)

Model A/B GP215F (100/220V)
 Model B GP216F (100V)

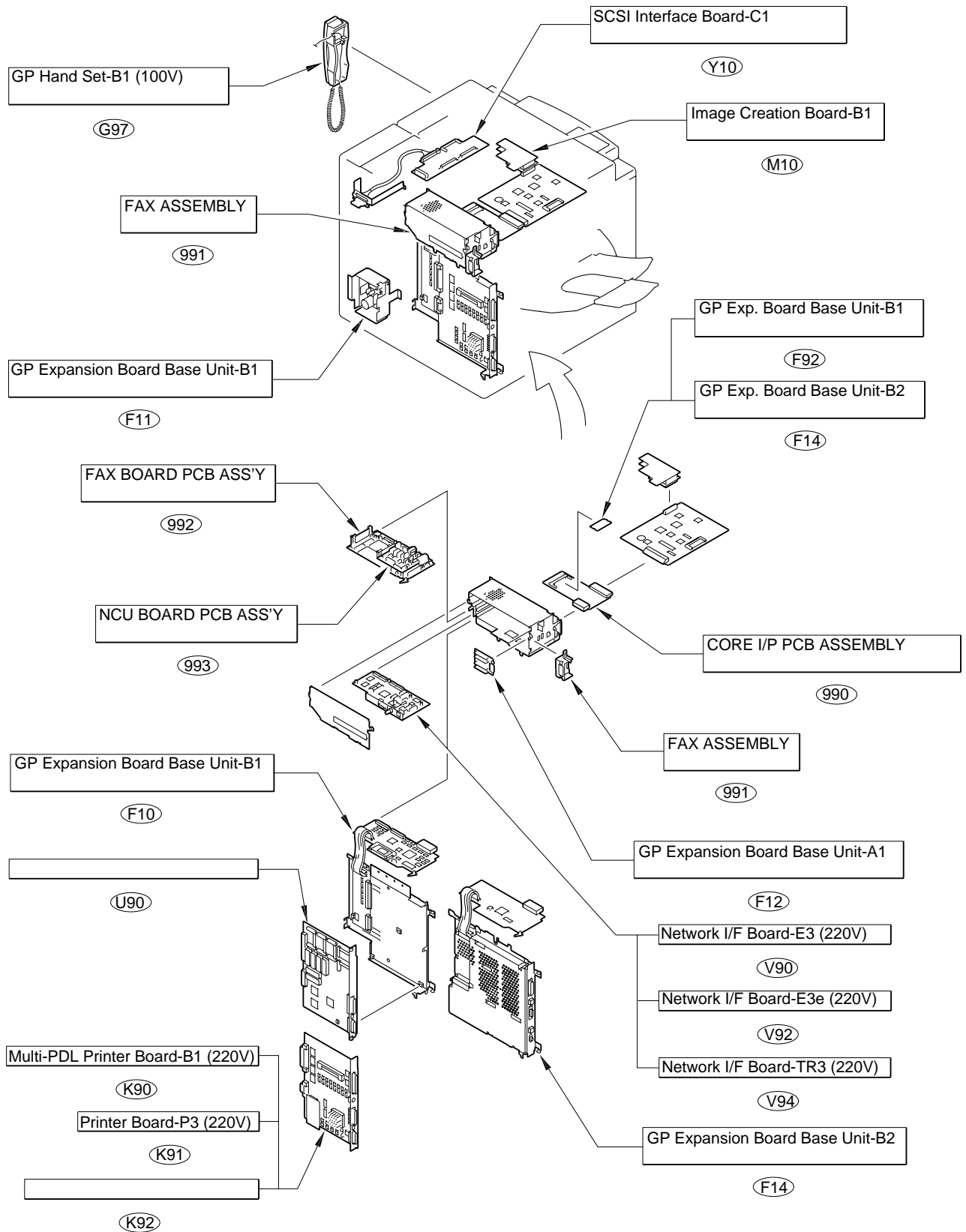


FIGURE A ASSEMBLY LOCATION DIAGRAM(7/15)

Model A GP215P (100V)

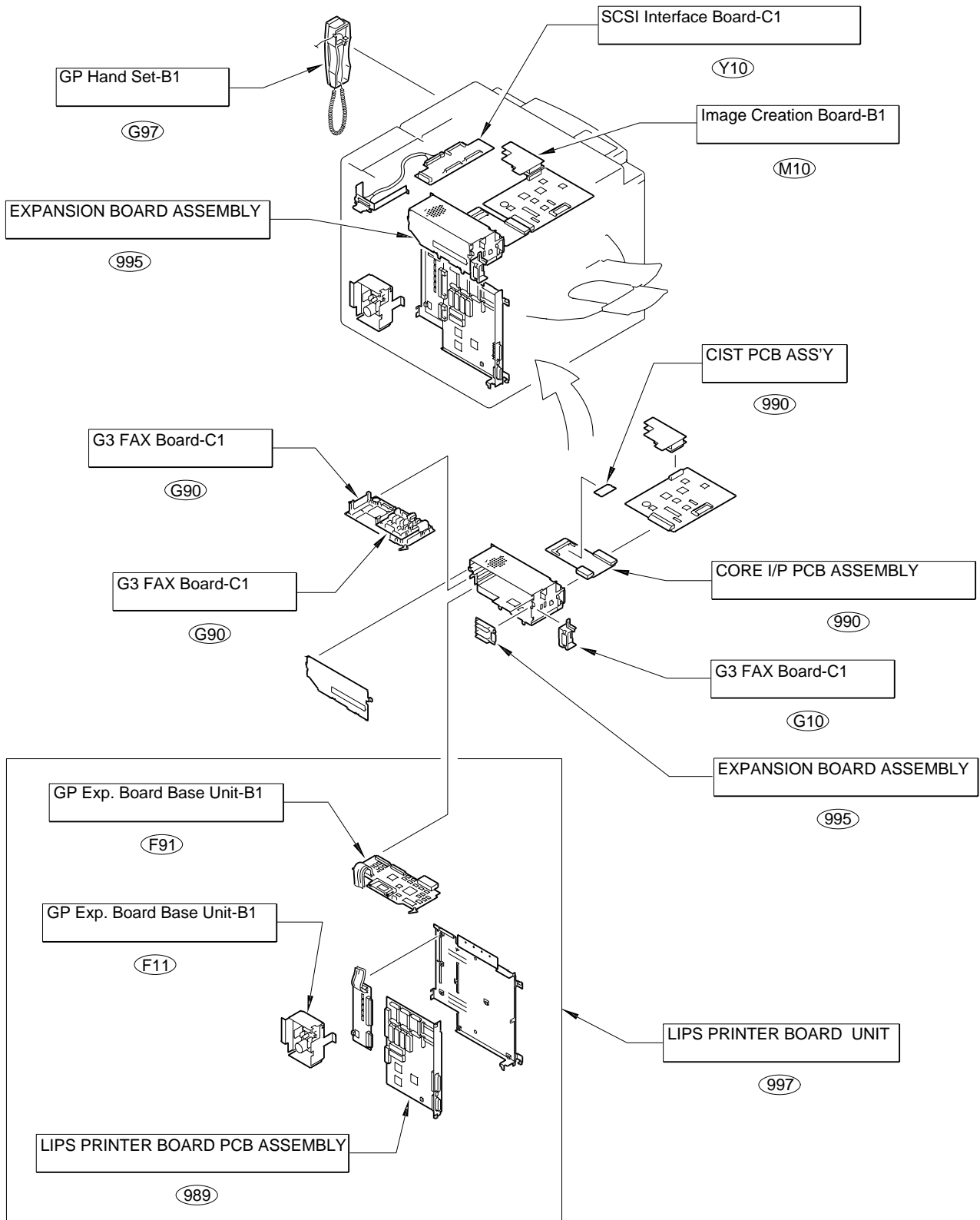


FIGURE A ASSEMBLY LOCATION DIAGRAM(8/15)

Model B GP216FP (100V)

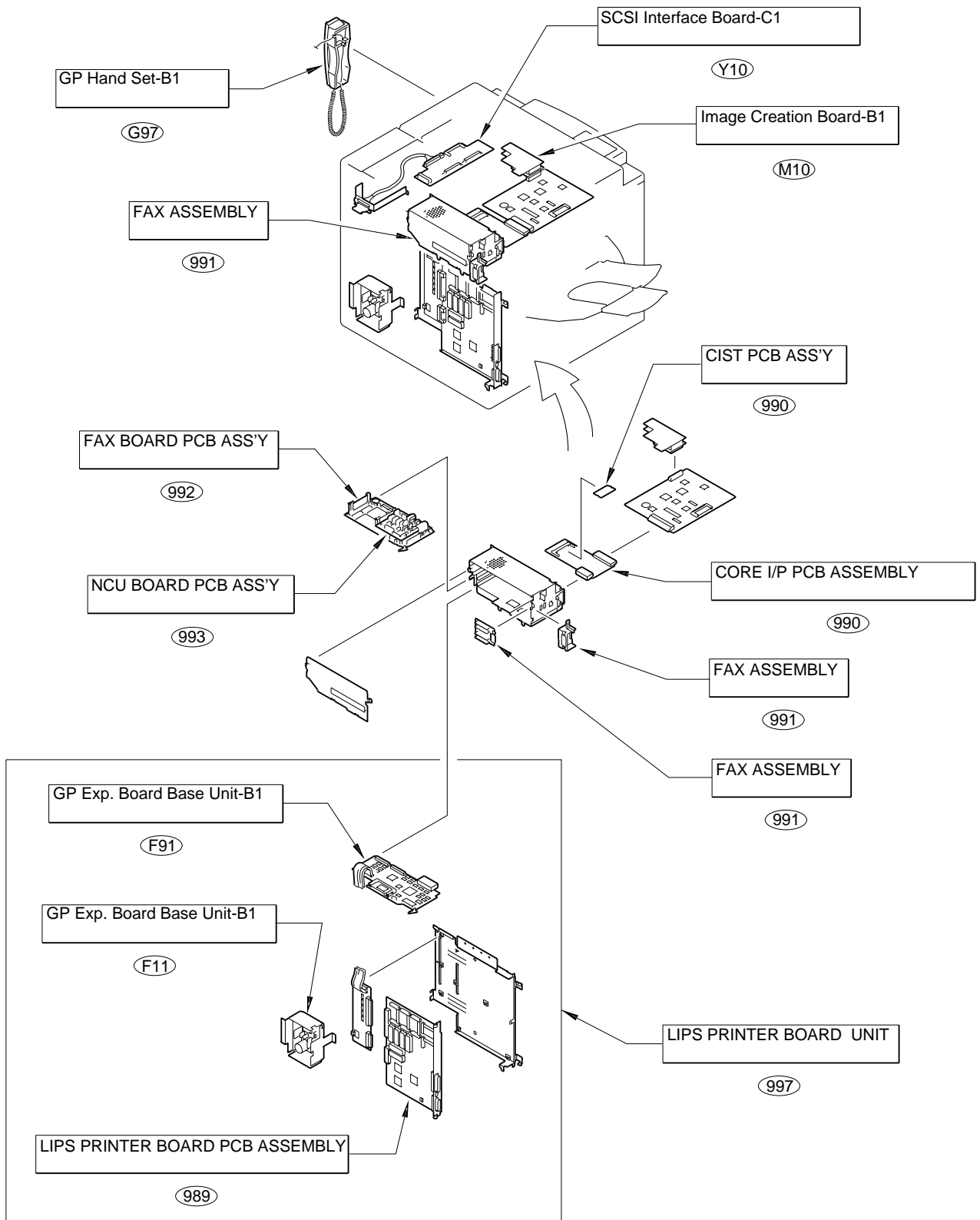


FIGURE A ASSEMBLY LOCATION DIAGRAM(9/15)

Model A GP210 (100/220/240V)

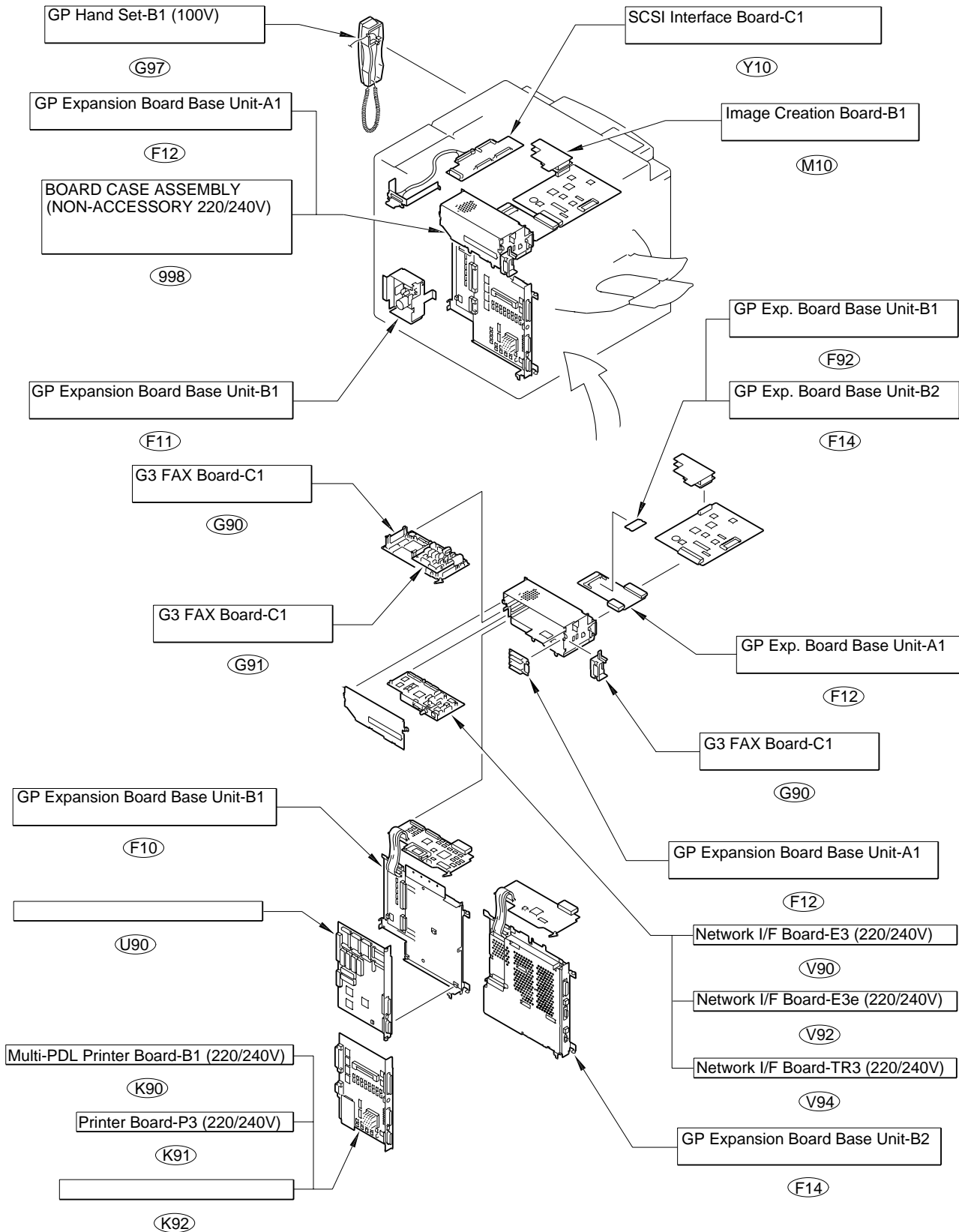


FIGURE A ASSEMBLY LOCATION DIAGRAM(10/15)

Model B GP211 (100/220/240V)
 Model B GP210 (220/240V)

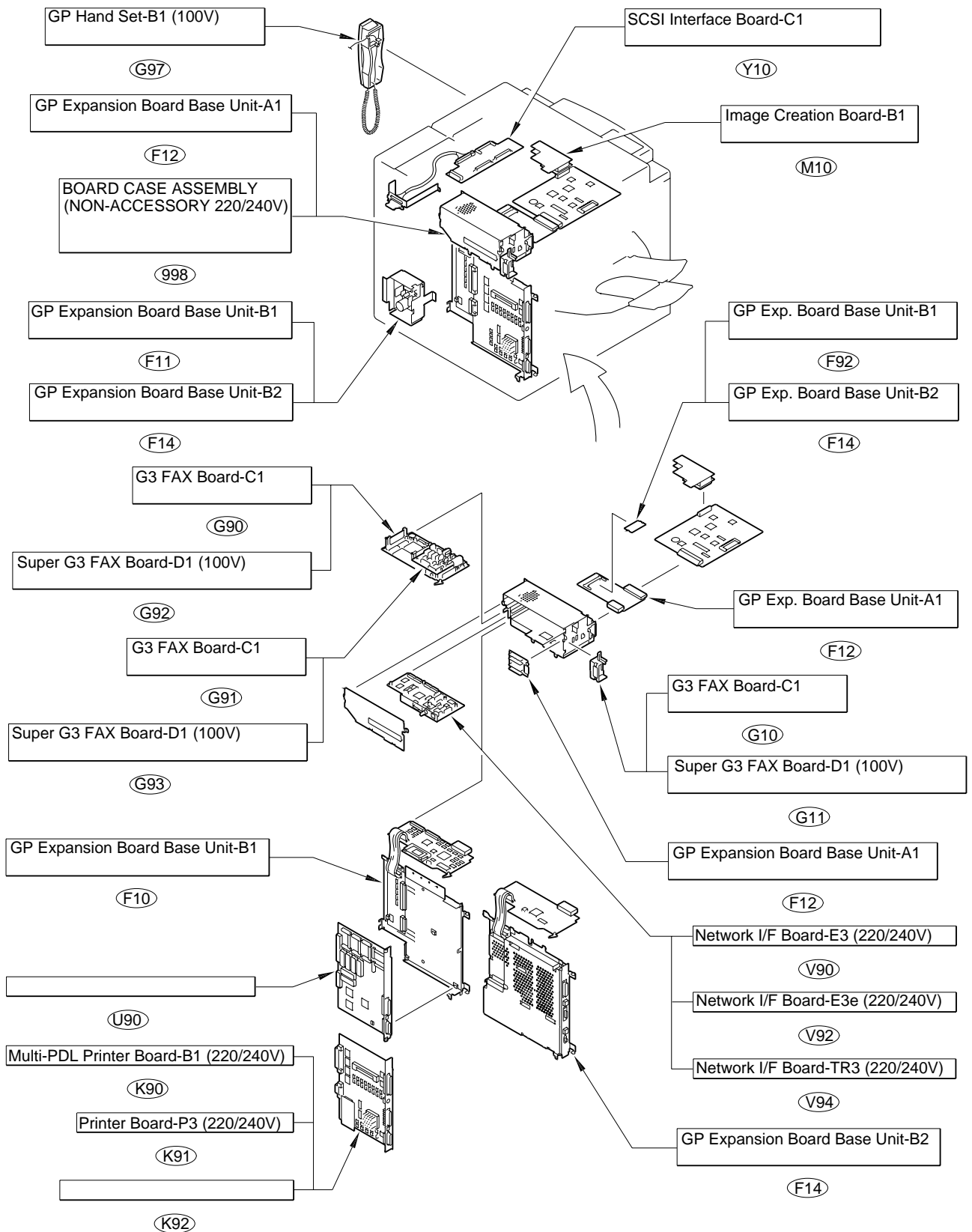


FIGURE A ASSEMBLY LOCATION DIAGRAM(11/15)

Model A/B GP210F (100/220V)
 Model B GP211F (100V)

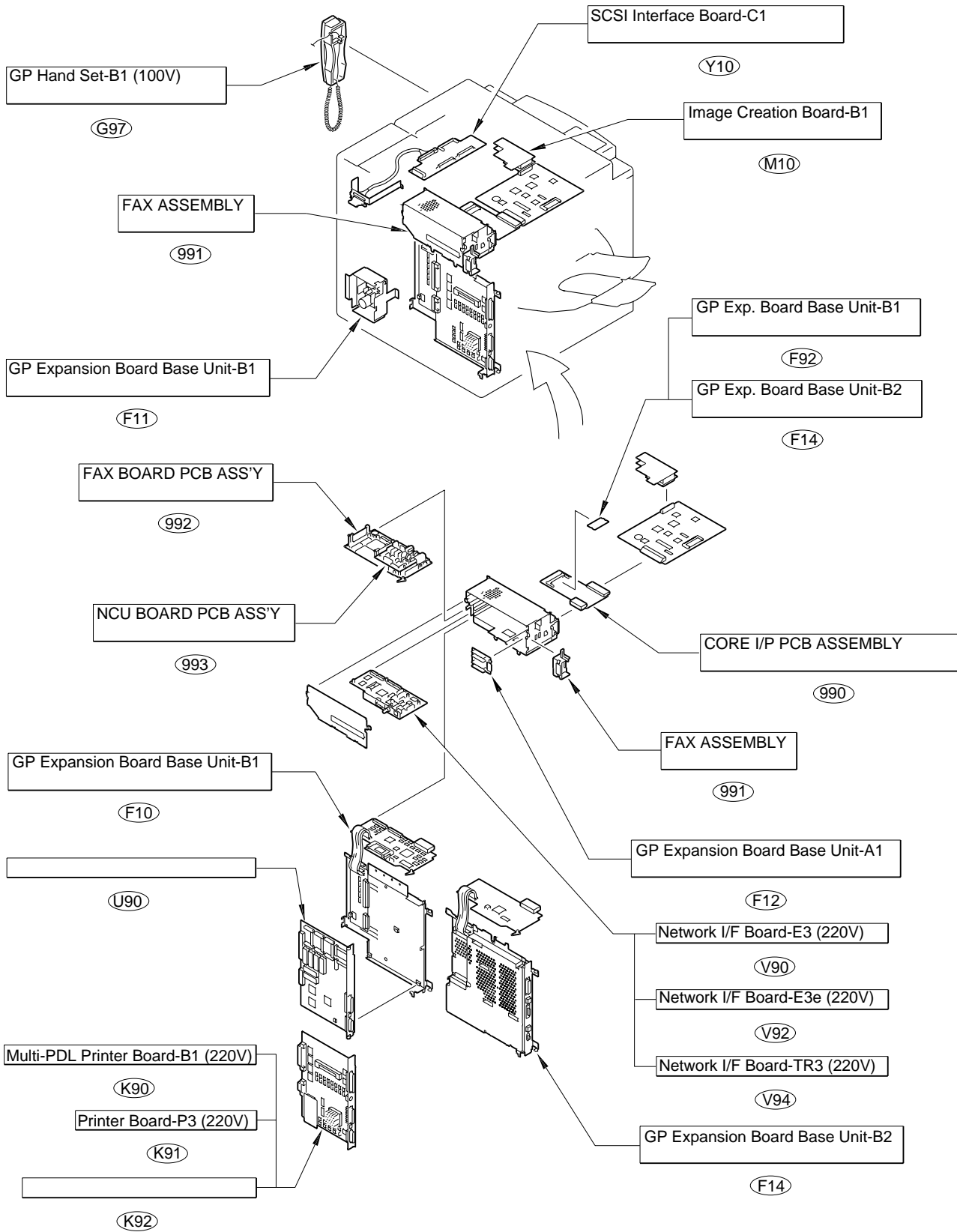


FIGURE A ASSEMBLY LOCATION DIAGRAM(12/15)

Model A GP200 (120V)
 Model B GP200D (120V)

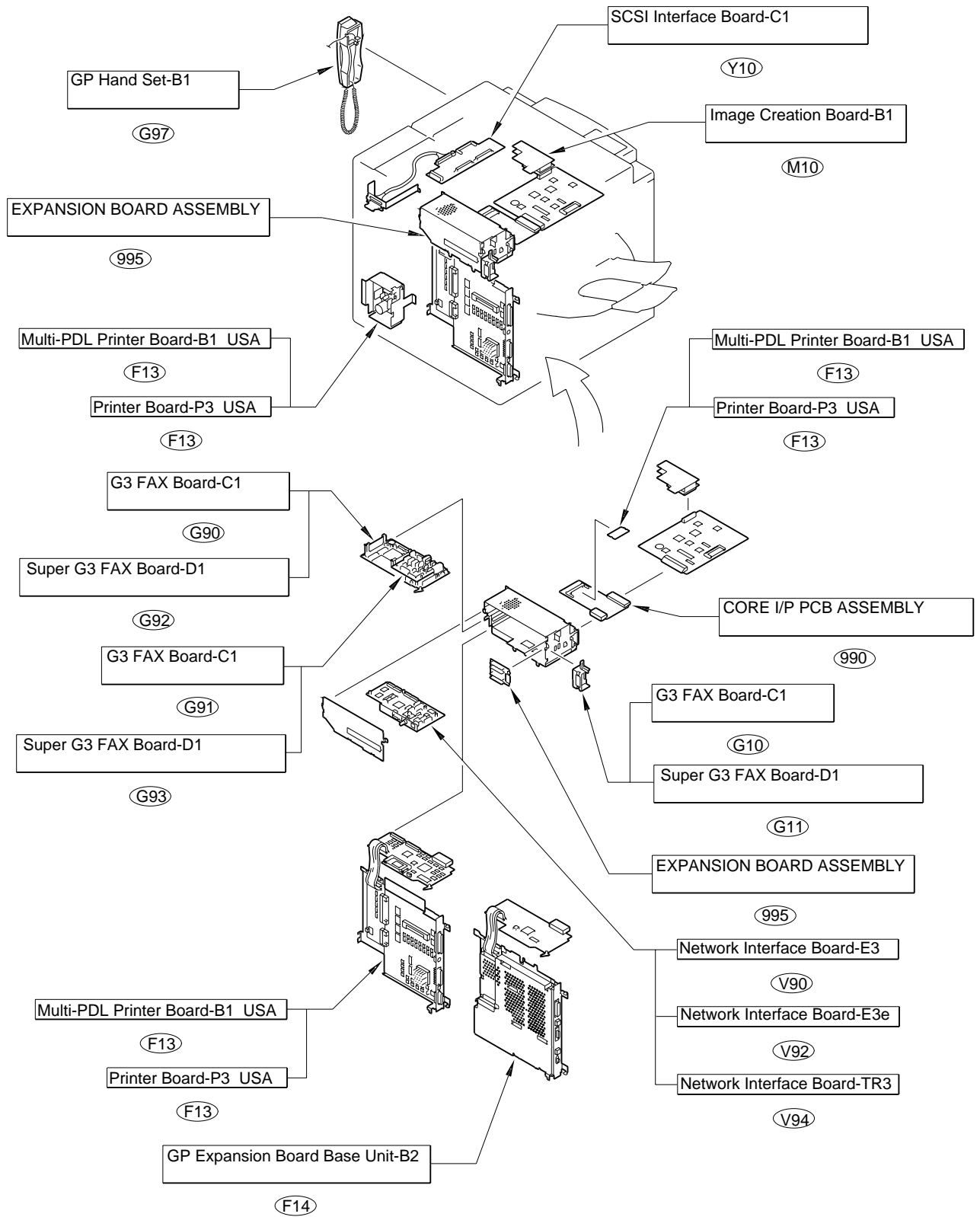


FIGURE A ASSEMBLY LOCATION DIAGRAM(13/15)

Model A GP200F (120V)
 Model B GP200E NJY (120V)

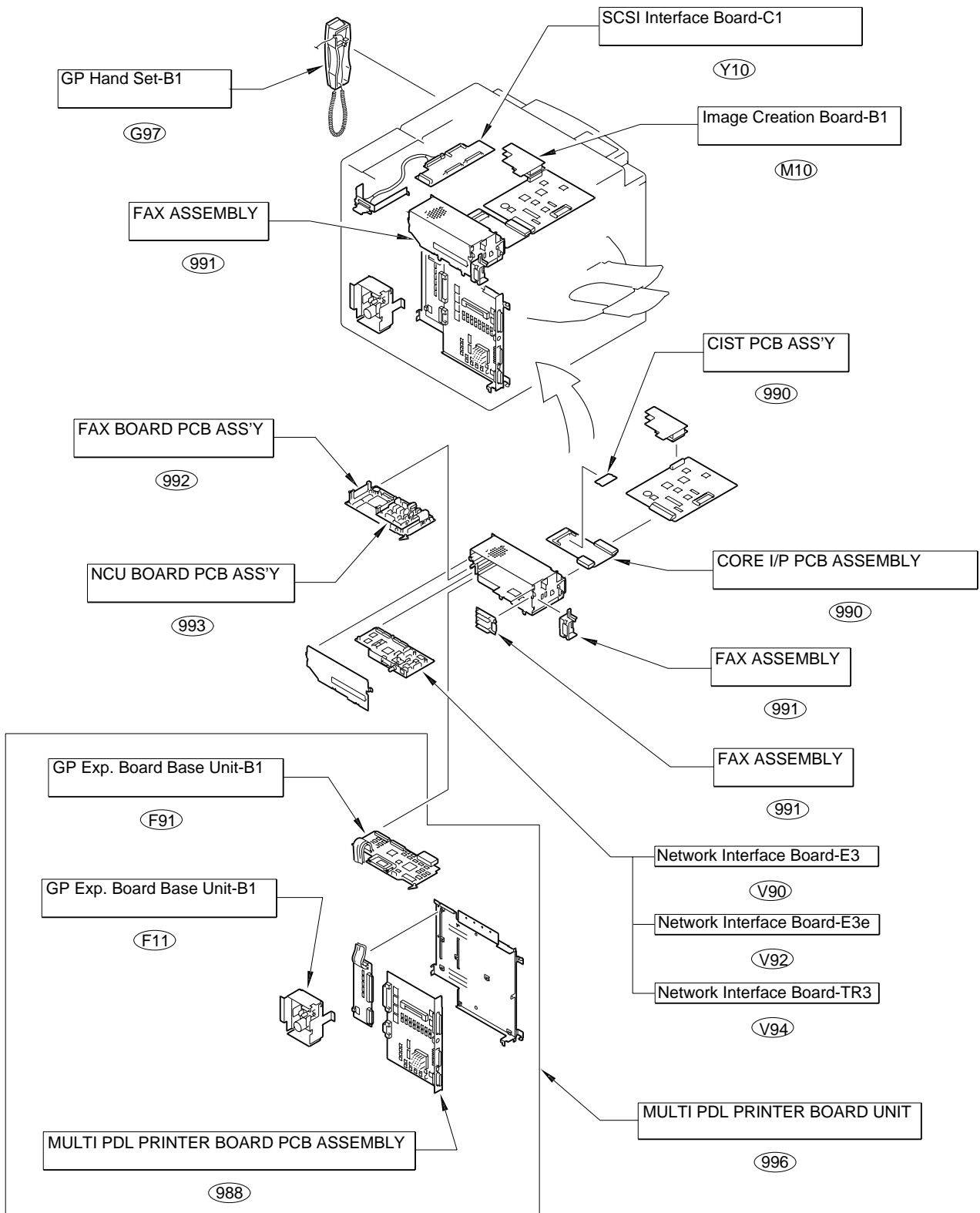


FIGURE A ASSEMBLY LOCATION DIAGRAM(14/15)

Model B GP200E NKM (120V)

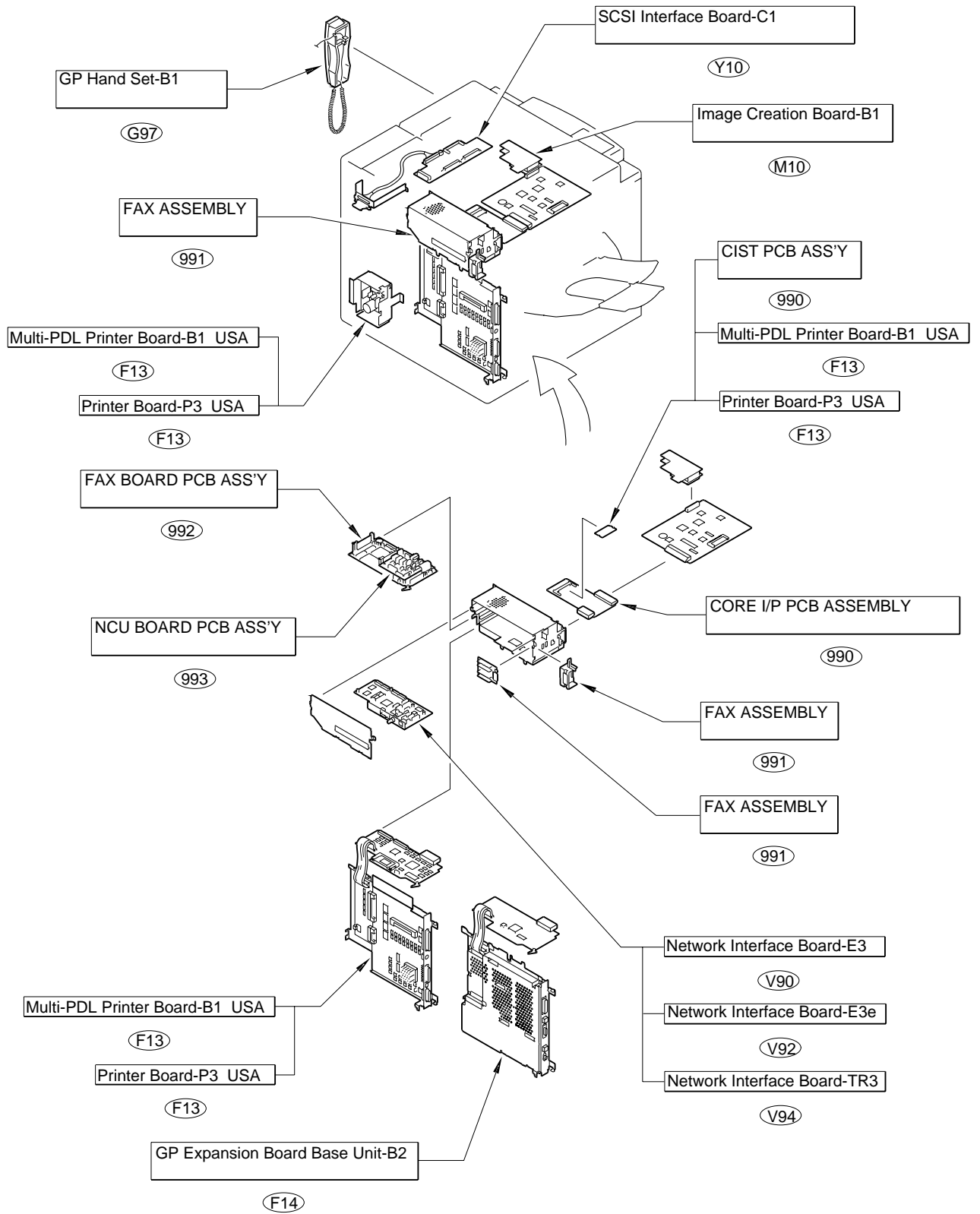


FIGURE A ASSEMBLY LOCATION DIAGRAM(15/15)

Model B GP200S (120V)

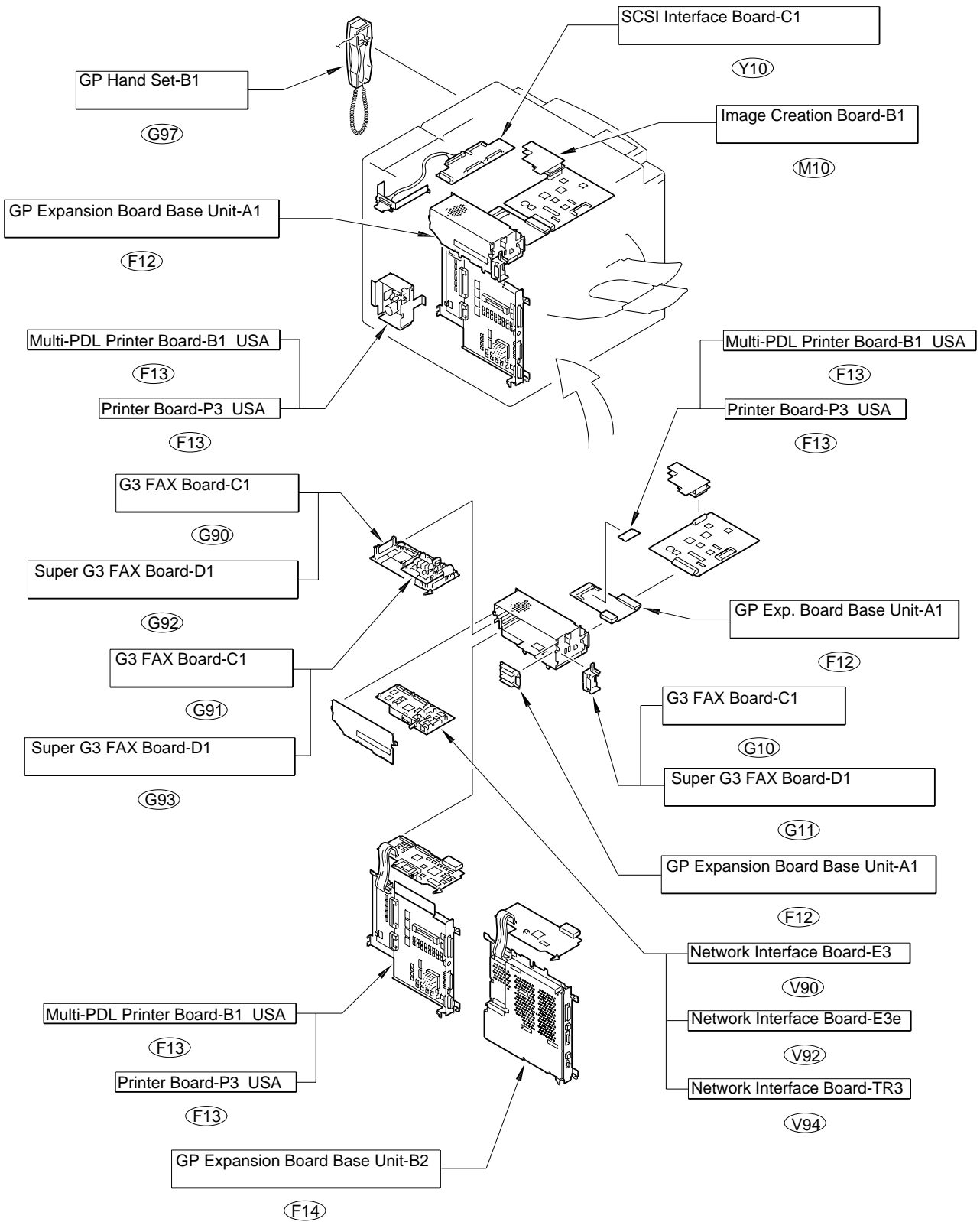


FIGURE 100 EXTERNAL COVERS, PANELS, ETC.

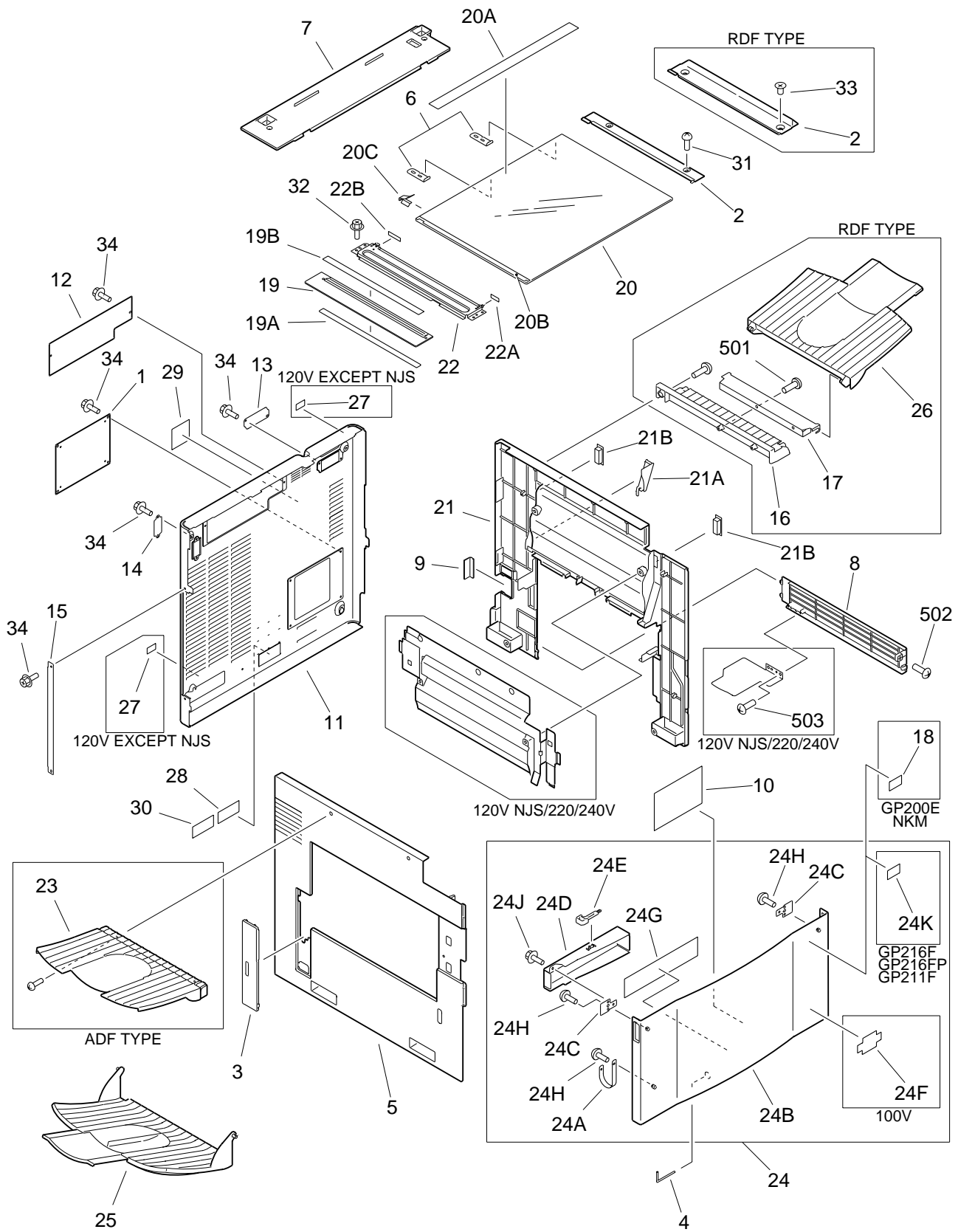


FIGURE & KEY NO.	PART NUMBER	RANK	QTY	DESCRIPTION	SERIAL NUMBER / REMARKS
100 -	NPN		RF	EXTERNAL COVERS, PANELS, ETC.	
1	FB1 - 7157 - 000		1	COVER	
2	FB1 - 7222 - 000		1	RETAINER, GLASS, RIGHT	MODEL A EXCEPT RDF TYPE
	FB3 - 8865 - 000		1	RETAINER, GLASS, RIGHT	MODEL B EXCEPT RDF TYPE
	FB3 - 5756 - 000		1	RETAINER, GLASS, RIGHT	MODEL A/B RDF TYPE
3	FB3 - 2218 - 020		1	COVER, LEFT	
4	FB3 - 2224 - 000		2	PIN, HINGE	
5	FB3 - 2238 - 000		1	COVER, LEFT	
6	FB3 - 2241 - 000		2	HOLDER, GLASS	
7	FB3 - 2242 - 000		1	COVER, UPPER, REAR	
8	FB3 - 2259 - 000		1	COVER, LOWER, RIGHT	
9	FB3 - 2260 - 000		1	COVER, POWER CORD	
10	FB3 - 2514 - 000		1	LABEL, SERVICE	
11	FB3 - 2616 - 000		1	COVER, REAR	
12	FB3 - 2617 - 000		1	PLATE, BLANKING, SYS	
13	FB3 - 2618 - 000		1	PLATE, BLANKING, SC	
14	FB3 - 2619 - 000		1	PLATE, BLANKING, F	
15	FB3 - 2623 - 000		1	PLATE, BLANKING, P	
16	FB3 - 5754 - 020		1	MOUNT, TRAY	RDF TYPE
17	FB3 - 5755 - 020		1	PLATE, TRAY	RDF TYPE
18	FB4 - 6728 - 000		1	LABEL, "SUPER G3"	GP200E NKM
19	FF5 - 4559 - 020		1	COVER, JUMP PLATE, LEFT UPPER	AB SIZE
	FF5 - 4474 - 020		1	COVER, JUMP PLATE, LEFT UPPER	AB/INCH SIZE
	FF5 - 4560 - 020		1	COVER, LEFT UPPER	A/INCH SIZE
	FF5 - 4561 - 020		1	COVER, LEFT UPPER	A SIZE
19 A	FB3 - 2793 - 000		1	SHEET, JUMP PLATE	
19 B	FC1 - 6200 - 000		1	PLATE, VERTICAL SIZE	AB SIZE
	FC1 - 6203 - 000		1	PLATE, VERTICAL SIZE	AB/INCH SIZE
	FC1 - 6201 - 000		1	PLATE, VERTICAL SIZE	A/INCH SIZE
	FC1 - 6202 - 000		1	PLATE, VERTICAL SIZE	A SIZE

FIGURE & KEY NO.	PART NUMBER	RANK	QTY	DESCRIPTION	SERIAL NUMBER / REMARKS
100 - 20	FF5 - 4584 - 000		1	GLASS, COPYBOARD	MODEL A AB SIZE LDW,LGC,LGD
	FF5 - 4555 - 000		1	GLASS, COPYBOARD	MODEL A AB SIZE LDY,LEP,LGE
	FF5 - 4473 - 000		1	GLASS, COPYBOARD	MODEL A AB/INCH SIZE
	FF5 - 4556 - 000		1	GLASS, COPYBOARD	MODEL A A/INCH SIZE
	FF5 - 4557 - 000		1	GLASS, COPYBOARD	MODEL A A SIZE
	FF5 - 7237 - 000		1	GLASS, COPYBOARD	MODEL B AB SIZE LHU,LHV
	FF5 - 7241 - 000		1	GLASS, COPYBOARD	MODEL B AB SIZE LHW,LHX,LJQ,LHZ
	FF5 - 7247 - 000		1	GLASS, COPYBOARD	MODEL B AB/INCH SIZE
	FF5 - 7240 - 000		1	GLASS, COPYBOARD	MODEL B A/INCH SIZE
	FF5 - 7248 - 000		1	GLASS, COPYBOARD	MODEL B A SIZE
20 A	FB3 - 2308 - 000		1	PLATE, HORIZONTAL SIZE	AB SIZE
	FB3 - 2202 - 000		1	PLATE, HORIZONTAL SIZE	AB/INCH SIZE
	FB3 - 2309 - 000		1	PLATE, HORIZONTAL SIZE	A/INCH SIZE
	FB3 - 2310 - 000		1	PLATE, HORIZONTAL SIZE	A SIZE
20 B	FB3 - 2341 - 000		1	PLATE, GLASS LEFT	AB SIZE LDW,LGC,LGD AB SIZE LHU,LHV
20 C	FB1 - 7890 - 000		1	SPRING, LEAF	MODEL A EXCEPT LDW,LGC,LGD
	FB3 - 9907 - 000		1	PLATE, GROUNDING	MODEL B
21	FF5 - 4609 - 000		1	COVER, RIGHT	100V 120V EXCEPT NJS
	FF5 - 4608 - 000		1	COVER, RIGHT	120V NJS/220/240V
21 A	FB3 - 2261 - 000		1	COVER, MULTI FEED CABLE	
21 B	XZ9 - 0407 - 000		2	LATCH, MAGNET	
22	FF9 - 1563 - 000		1	CROSSMEMBER, UPPER, LEFT	MODEL A
	FF5 - 7239 - 000		1	CROSSMEMBER, UPPER, LEFT	MODEL B
22 A	FA9 - 3320 - 000		1	SHEET, GLASS PROTECTIVE, 1	
22 B	FA9 - 3321 - 000		1	SHEET, GLASS PROTECTIVE, 2	
23	FG5 - 6161 - 020		1	PAPER DELIVERY TRAY UNIT	ADF TYPE
24	FG5 - 6185 - 000		1	FRONT COVER UNIT	MODEL A GP215 100V
	FG5 - 8515 - 000		1	FRONT COVER UNIT	MODEL A GP215 220/240V
	FG5 - 6186 - 000		1	FRONT COVER UNIT	MODEL A GP215F 100V
	FG5 - 8516 - 000		1	FRONT COVER UNIT	MODEL A GP215F 220/240V

FIGURE & KEY NO.	PART NUMBER	R A N K	Q' T Y	DESCRIPTION	SERIAL NUMBER / REMARKS
100 - 24	FG5 - 9027 - 000		1	FRONT COVER UNIT	MODEL A GP215P 100V
	FG5 - 8419 - 000		1	FRONT COVER UNIT	MODEL A GP210 100V
	FG6 - 0090 - 000		1	FRONT COVER UNIT	MODEL A GP210 220/240V
	FG5 - 8420 - 000		1	FRONT COVER UNIT	MODEL A GP210F 100V
	FG5 - 8502 - 000		1	FRONT COVER UNIT	MODEL A GP200 120V
	FG5 - 8503 - 000		1	FRONT COVER UNIT	MODEL A GP200F 120V
	FG6 - 1145 - 000		1	FRONT COVER UNIT	MODEL B GP216 100V
	FG6 - 1146 - 000		1	FRONT COVER UNIT	MODEL B GP216F/216FP 100V
	FG6 - 1682 - 000		1	FRONT COVER UNIT	MODEL B GP215 120/220/240V
	FG6 - 1683 - 000		1	FRONT COVER UNIT	MODEL B GP215F 220V
	FG6 - 1147 - 000		1	FRONT COVER UNIT	MODEL B GP211 100V
	FG6 - 1684 - 000		1	FRONT COVER UNIT	MODEL B GP211 220/240V GP210 220/240V
	FG6 - 1148 - 000		1	FRONT COVER UNIT	MODEL B GP211F 100V
	FG6 - 1685 - 000		1	FRONT COVER UNIT	MODEL B GP210F 220V
24 A	FG6 - 1149 - 000		1	FRONT COVER UNIT	MODEL B GP200D 120V
	FG6 - 1150 - 000		1	FRONT COVER UNIT	MODEL B GP200E 120V NJY
	FG6 - 4708 - 000		1	FRONT COVER UNIT	MODEL B GP200E 120V NKM
	FG6 - 1151 - 000		1	FRONT COVER UNIT	MODEL B GP200S 120V
	FB1 - 7172 - 000		1	STRAP, DOOR SUPPORT, 1	
24 B	FB3 - 2510 - 000		1	COVER, FRONT	MODEL A/B GP215
	FB3 - 2517 - 000		1	COVER, FRONT	MODEL A/B GP215F
	FB3 - 2382 - 000		1	COVER, FRONT	MODEL A GP215P
	FB3 - 2354 - 000		1	COVER, FRONT	MODEL A/B GP210 100/220/240V MODEL B GP211 220/240V
	FB3 - 2355 - 000		1	COVER, FRONT	MODEL A/B GP210F
	FB3 - 2364 - 000		1	COVER, FRONT	MODEL A GP200
	FB3 - 2365 - 000		1	COVER, FRONT	MODEL A GP200F MODEL B GP200E NJY
	FB4 - 5355 - 000		1	COVER, FRONT	MODEL B GP216
	FB4 - 5356 - 000		1	COVER, FRONT	MODEL B GP216F/216FP

FIGURE & KEY NO.	PART NUMBER	RANK	QTY	DESCRIPTION	SERIAL NUMBER / REMARKS
100 - 24 B	FB4 - 5357 - 000		1	COVER, FRONT	MODEL B GP211 100V
	FB4 - 5358 - 000		1	COVER, FRONT	MODEL B GP211F
	FB4 - 5359 - 000		1	COVER, FRONT	MODEL B GP200D
	FB4 - 5360 - 000		1	COVER, FRONT	MODEL B GP200E NKM
	FB4 - 5361 - 000		1	COVER, FRONT	MODEL B GP200S
24 C	FB3 - 2511 - 000		2	PLATE, CATCH	
24 D	FB3 - 2512 - 000		1	COVER, CASE	
24 E	FB3 - 2513 - 000		1	BRUSH, CLEANING	MODEL A
	FB4 - 5380 - 000		1	BRUSH, CLEANING	MODEL B
24 F	FB3 - 2515 - 000		1	LABEL, "MEDIO"	MODEL A 100V
	FB4 - 5362 - 000		1	LABEL, "MEDIO"	MODEL B 100V
24 G	FB3 - 2516 - 000		1	LABEL, "TONER SUPPLY"	
24 H	XA9 - 0605 - 000		3	SCREW,M4X8	
24 J	XA9 - 0629 - 000		1	SCREW,RS,M4X8	
24 K	FB4 - 6724 - 000		1	LABEL, "SUPER G3"	GP216F/216FP/211F
25	FG5 - 8513 - 000		1	PAPER DELIVERY TRAY UNIT	LGD,LGE,LHV,LHZ
	FG5 - 6276 - 000		1	PAPER DELIVERY TRAY UNIT	EXCEPT LGD,LGE EXCEPT LHV,LHZ
26	FG5 - 8704 - 000		1	PAPER DELIVERY TRAY UNIT	RDF TYPE
27	FS8 - 8194 - 000		2	LABEL, "WARNING CONNECTOR"	120V EXCEPT NJS
28	ME1 - 0001 - 000		1	LABEL, "VCCI-1"	100V
	FC1 - 9392 - 020		1	LABEL, "CDRH"	120V EXCEPT NJS
29	ME1 - 0026 - 000		1	LABEL, "LASER CLASS V"	120V NJS/220/240V
30	ME1 - 0058 - 000		1	LABEL, "NOISE"	120V EXCEPT NJS
31	XA9 - 0265 - 000		1	SCREW,W/WASHER,TRUSS HEAD	EXCEPT RDF TYPE
32	XA9 - 0626 - 000		6	SCREW,RS,M3X6	
33	XA9 - 0679 - 000		2	SCREW,MACH.,FLAT HEAD,M3X4	RDF TYPE
34	XA9 - 0685 - 000		12	SCREW,RS,M4X6	
501	XB1 - 2402 - 509		1	SCREW,MACH.,TRUSS HEAD,M4X25	RDF TYPE
502	XB4 - 7400 - 809		1	SCREW,TAPPING,TRUSS HEAD,M4X8	
503	XB4 - 7400 - 809		2	SCREW,TAPPING,TRUSS HEAD,M4X8	120V NJS/220/240V

FIGURE 101 MACHINE FRONT PLATE

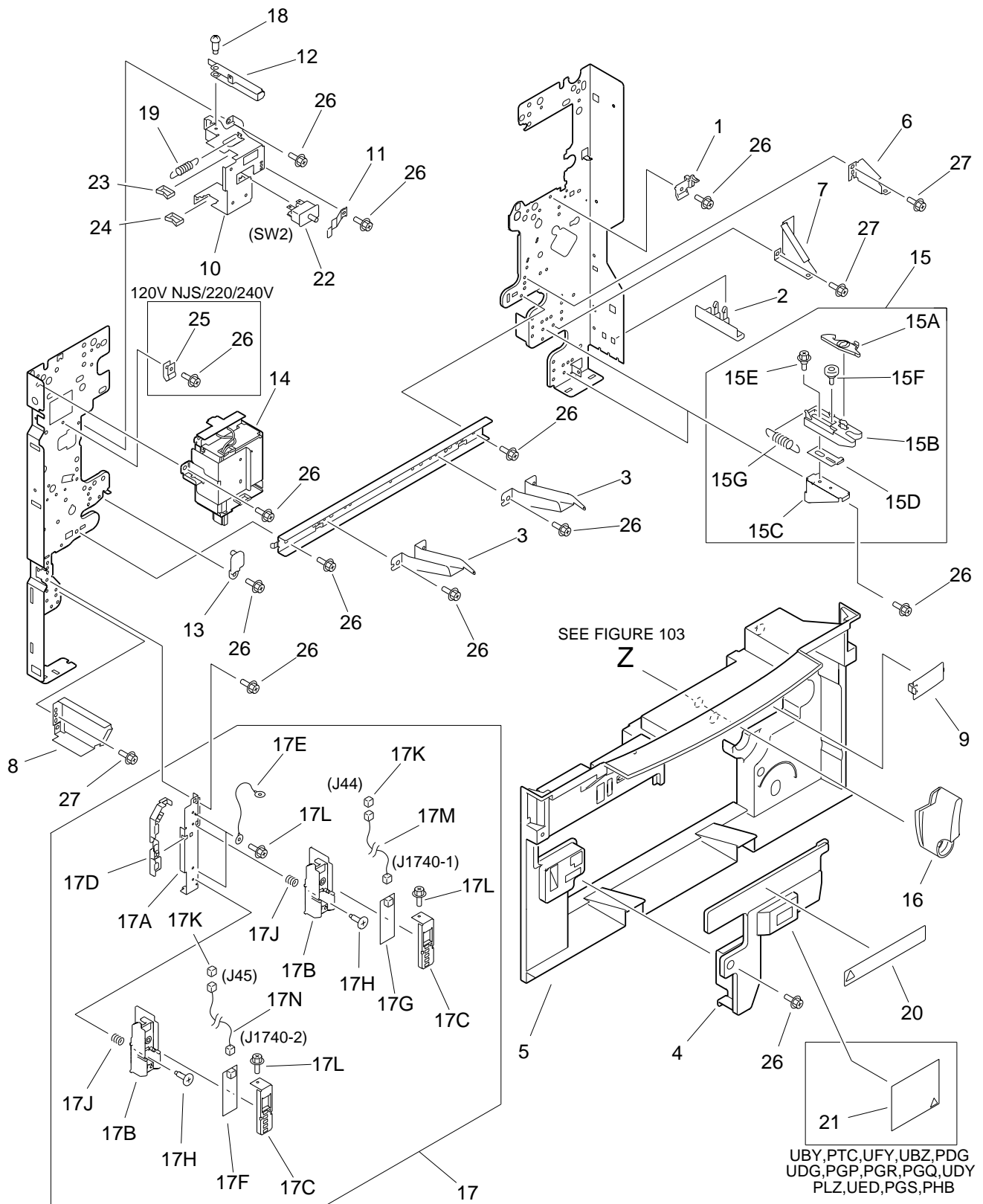


FIGURE & KEY NO.	PART NUMBER	RANK	QTY	DESCRIPTION	SERIAL NUMBER / REMARKS
101 -	NPN		RF	MACHINE FRONT PLATE	
1	FB3 - 2206 - 000		1	PLATE, STOP DEVELOPING	
2	FB3 - 2221 - 000		1	HANDLE, RIGHT, FRONT	
3	FB3 - 2223 - 000		2	HINGE, FRONT COVER	
4	FB3 - 2249 - 000		1	COVER, FIXING, INNER	
5	FB3 - 2251 - 040		1	COVER, INNER	100V
	FF5 - 4616 - 000		1	COVER, INNER	120V EXCEPT NJS
6	FB3 - 2311 - 000		1	PLATE, REINFORCEMENT, RIGHT-U	120V NJS
7	FB3 - 2312 - 000		1	PLATE, REINFORCEMENT, RIGHT-L	220/240V
8	FB3 - 2313 - 000		1	PLATE, REINFORCEMENT, LEFT	
9	FB3 - 2552 - 000		1	PLATE, INNER COVER BLANKING	
10	FB3 - 2598 - 000		1	MOUNT, DOOR SWITCH	
11	FB3 - 2599 - 000		1	SPRING, LEAF	
12	FB3 - 2600 - 020		1	LEVER, I.L.	
13	FB4 - 2668 - 000		1	PLATE, THRUST STOP	
14	FG5 - 6206 - 030		1	FIXING HEATER DRIVER PCB ASS'Y	100/120V
	FG5 - 6324 - 030		1	FIXING HEATER DRIVER PCB ASS'Y	220/240V
15	FG5 - 6246 - 000		2	CASSETTE CLICK UNIT	
15 A	FB3 - 2936 - 000		1	LEVER, CLICK	
15 B	FB3 - 2937 - 000		2	BLOCK, CASSETTE STOP	
15 C	FB3 - 2938 - 000		2	SUPPORT, CLICK LEVER	
15 D	FB3 - 2939 - 000		2	PLATE, SIDE REGISTRATION	
15 E	FS5 - 9164 - 000		2	SCREW,RS STEPPED,M4	
15 F	FS5 - 9398 - 000		2	SCREW, SIDE REGIST., M3X8	
15 G	FS6 - 2310 - 000		2	SPRING, TENSION	
16	FG5 - 6319 - 000		1	HANDLE UNIT	
17	FG5 - 9029 - 000		1	SIZE SENSOR SWITCH UNIT	
17 A	FB3 - 2946 - 000		1	MOUNT, SIZE SENSOR PCB	
17 B	FB3 - 2947 - 000		2	HOLDER, PCB	
17 C	FB3 - 2948 - 000		2	COVER, SIZE SENSOR PCB	

FIGURE & KEY NO.	PART NUMBER	RANK	QTY	DESCRIPTION	SERIAL NUMBER / REMARKS
101 - 17 D	FB3 - 2949 - 000		1	GUIDE, CABLE	
17 E	FF3 - 1171 - 000		2	CABLE, GROUNDING	
17 F	FG5 - 6288 - 000		1	CASSETTE SIZE SENSOR PCB UNIT	
17 G	FG5 - 9030 - 000		1	UPPER C. SIZE SENSOR PCB UNIT	
17 H	FS5 - 9397 - 000		2	PIN, PLATE HOLDER	
17 J	FS6 - 2311 - 000		2	SPRING, COMPRESSION	
17 K	VS1 - 5057 - 006		2	CONNECTOR, SNAP TIGHT	J44,45
17 L	XA9 - 0626 - 000		4	SCREW,RS,M3X6	
17 M	FF3 - 1322 - 000		1	CABLE, UPPER SIZE SENSOR PCB	J44,1740-1
17 N	FF3 - 1170 - 000		1	CABLE, C. SIZE SENSOR PCB	J45,1740-2
18	FS1 - 9005 - 000		1	SCREW,STEPPED,M4	
19	FS5 - 2331 - 000		1	SPRING, TENSION	
20	FS5 - 8601 - 000		1	LABEL, "WARNING LASER"	MODEL A 100/120V
	FS6 - 8117 - 000		1	LABEL, "WARNING LASER"	MODEL A 220/240V
	FS6 - 8578 - 000		1	LABEL, "WARNING LASER"	MODEL B 100/120V
	FS6 - 8580 - 000		1	LABEL, "CAUTION LASER"	MODEL B 220/240V
21	FS6 - 8118 - 000		1	LABEL, "CAUTION LASER"	UBY,PTC,UFY,UBZ,PDG UDG
	FS6 - 8581 - 000		1	LABEL, "CAUTION LASER"	PGP,PGQ,PGR,PLZ,UDY UED,PGS,PHB
22	WC8 - 5051 - 000		1	SWITCH, PUSH	SW2
23	WT2 - 5011 - 000		1	CLIP, CABLE	
24	WT2 - 5031 - 000		1	CLIP, WIRE	
25	WT2 - 5156 - 000		1	CLAPM, CABLE	120V NJS/220/240V
26	XA9 - 0629 - 000		AR	SCREW,RS,M4X8	
27	XA9 - 0722 - 000		6	SCREW,RS,M4X12	

FIGURE 102 INTERNAL COMPONENTS 1

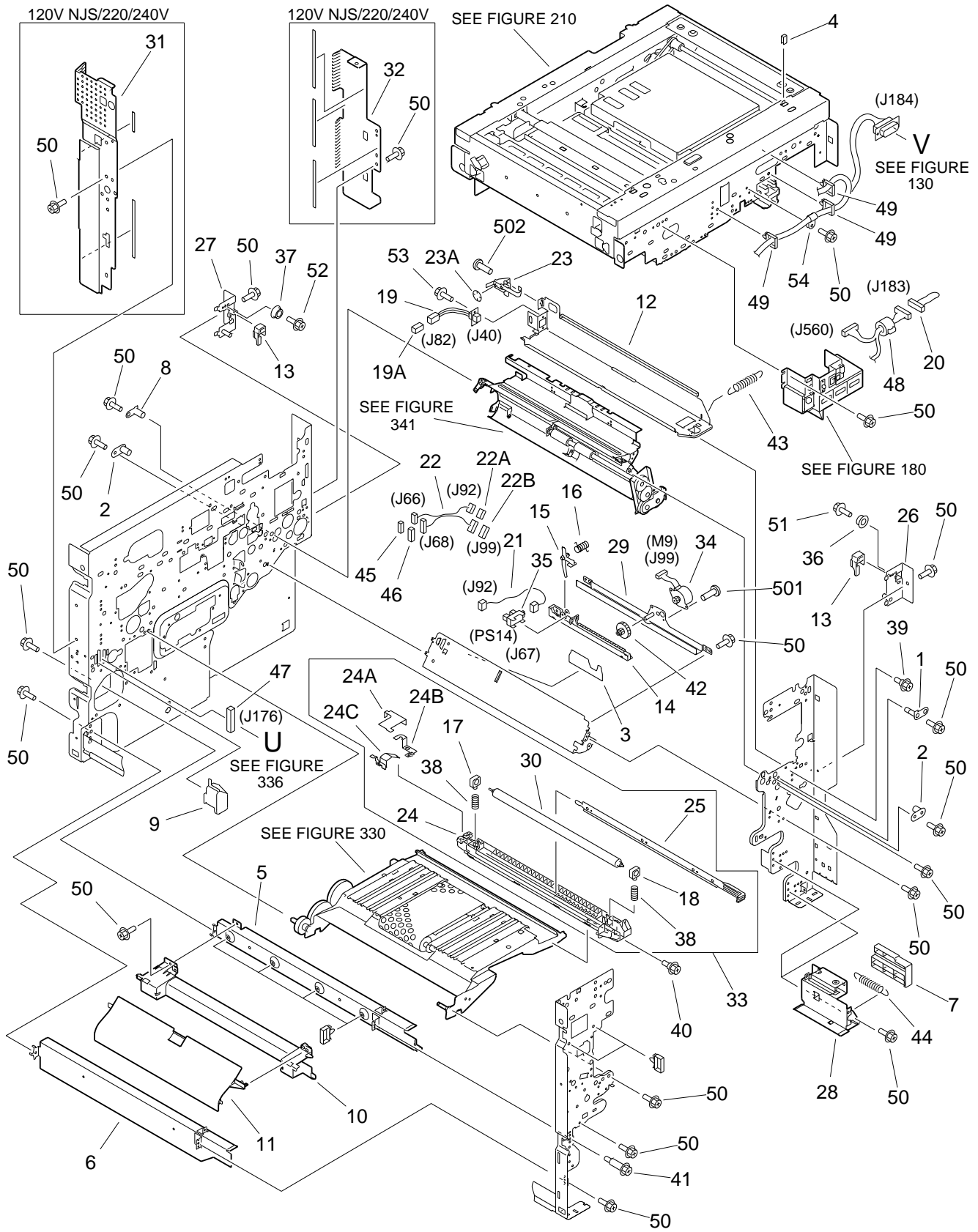


FIGURE & KEY NO.	PART NUMBER	RANK	QTY	DESCRIPTION	SERIAL NUMBER / REMARKS
102 -	NPN		RF	INTERNAL COMPONENTS 1	
1	FA1 - 9546 - 000		1	PIN, POSITIONING	
2	FA4 - 1149 - 000		1	PIN, PLATE	
3	FA9 - 3323 - 000		1	SHEET, MOTOR CABLE GUIDE	EXCEPT GP210/210F EXCEPT GP211/211F
4	FB3 - 0544 - 000		2	SHEET, GLASS PROTECTIVE	
5	FB3 - 2210 - 000		1	RAIL, LEFT, UPPER	
6	FB3 - 2211 - 000		1	RAIL, LEFT, LOWER	
7	FB3 - 2212 - 020		2	COVER, RIGHT RAIL	
8	FB3 - 2214 - 000		2	PIN, POSITIONING	
9	FB3 - 2219 - 000		1	COVER, DELIVERY CONNECTOR	
10	FB3 - 2268 - 000		1	COVER, AC CABLE	
11	FB3 - 2317 - 000		1	GUIDE, LOWER FEEDER, REAR	EXCEPT GP210/210F EXCEPT GP211/211F
12	FB3 - 2665 - 000		1	RAIL, DEVELOPING ASSEMBLY	
13	FB3 - 2829 - 000		2	BLOCK, MULTI FEED TRAY, STOP	
14	FB3 - 2994 - 000		1	BLOCK, SLIDE	EXCEPT GP210/210F EXCEPT GP211/211F
15	FB3 - 2995 - 000		1	LINK, SIDE REGISTRATION	EXCEPT GP210/210F EXCEPT GP211/211F
16	FB3 - 2996 - 000		1	SPRING, TORSION	EXCEPT GP210/210F EXCEPT GP211/211F
17	FB3 - 3081 - 000		1	BUSHING, TRANS. ROLLER, REAR	
18	FB3 - 3086 - 000		1	BUSHING, TRANS. ROLLER, FRONT	
19	FF3 - 1136 - 000		1	CABLE, TONER SENSOR	J40,82
19 A	VS1 - 5057 - 003		1	CONNECTOR, SNAP TIGHT	J82
20	FF3 - 1147 - 000		1	CABLE, CCV	J183
21	FF3 - 1176 - 000		1	CABLE, SIDE REGISTRATION	EXCEPT GP210/210F EXCEPT GP211/211F J67,92
22	FF3 - 1178 - 000		1	CABLE, SIDE REGIST. CONNECTING	EXCEPT GP210/210F EXCEPT GP211/211F
22 A	VS1 - 5057 - 003		1	CONNECTOR, SNAP TIGHT	J66,68,92,99 EXCEPT GP210/210F EXCEPT GP211/211F J92
22 B	VS1 - 5057 - 006		1	CONNECTOR, SNAP TIGHT	EXCEPT GP210/210F EXCEPT GP211/211F J99

FIGURE & KEY NO.	PART NUMBER	RANK	QTY	DESCRIPTION	SERIAL NUMBER / REMARKS
102 - 23	FF5 - 1458 - 020		1	MOUNT, ELECTRODE	
23A	XA9 - 0134 - 000		2	NUT, PUSH	
24	FF5 - 4466 - 070	N	1	FRAME, TRANSFER	
24A	FB3 - 3021 - 000		1	SHEET, INSULATING	
24B	FB3 - 3022 - 000		1	PLATE, TRANSFER CONNECTING	
24C	FF5 - 4578 - 000		1	PLATE, ELIMINATOR CONNECTING	
25	FF5 - 4467 - 020		1	ELIMINATOR, STATIC CHARGE	MODEL A
	FF5 - 7246 - 000		1	ELIMINATOR, STATIC CHARGE	MODEL B
26	FF5 - 4486 - 000		1	SUPPORT, LATCH SHAFT, FRONT	
27	FF5 - 4487 - 020		1	SUPPORT, LATCH SHAFT, REAR	
28	FF5 - 4493 - 000		2	RAIL, RIGHT	
29	FF5 - 4506 - 000		1	BRACKET, SIDE REGIST. MOTOR	EXCEPT GP210/210F EXCEPT GP211/211F
30	FF5 - 4565 - 000		1	ROLLER, TRANSFER	
31	FF5 - 4628 - 000		1	PLATE, SHIELD, LEFT, LOWER	120V NJS/220/240V
32	FF5 - 4629 - 000		1	PLATE, SHIELD, RIGHT, REAR	120V NJS/220/240V
33	FG5 - 6267 - 060		1	TRANSFER ROLLER UNIT	MODEL A
	FG6 - 1671 - 000		1	TRANSFER ROLLER UNIT	MODEL B
34	FH6 - 1253 - 000		1	MOTOR, STEPPING	EXCEPT GP210/210F EXCEPT GP211/211F M9 J99
35	FH7 - 7312 - 000		1	PHOTO-INTERRUPTER	EXCEPT GP210/210F EXCEPT GP211/211F
36	FS5 - 1589 - 000		1	BUSHING	PS14 J67
37	FS5 - 1589 - 000		1	BUSHING	
38	FS5 - 2645 - 000		2	SPRING, COMPRESSION	
39	FS5 - 9164 - 000		1	SCREW,RS STEPPED,M4	
40	FS5 - 9214 - 000		1	SCREW,RS STEPPED,M4	
41	FS5 - 9222 - 000		1	SCREW,RS STEPPED,M4	
42	FS6 - 0557 - 000		1	GEAR, 12T/36T	EXCEPT GP210/210F EXCEPT GP211/211F
43	FS6 - 2306 - 000		1	SPRING, TENSION	
44	FS6 - 2309 - 000		2	SPRING, TENSION	

FIGURE & KEY NO.	PART NUMBER	R A N K	Q' T Y	DESCRIPTION	SERIAL NUMBER / REMARKS
102 - 45	VS1 - 5057 - 003		1	CONNECTOR, SNAP TIGHT	EXCEPT GP210/210F EXCEPT GP211/211F J66
46	VS1 - 5057 - 006		1	CONNECTOR, SNAP TIGHT	EXCEPT GP210/210F EXCEPT GP211/211F J68
47	VS1 - 5057 - 014		1	CONNECTOR, SNAP TIGHT	J176
48	WE8 - 5496 - 000		1	CORE, FERRITE	120V NJS/220/240V
49	WT2 - 0494 - 000		AR	CLAMP, CABLE	
50	XA9 - 0629 - 000		AR	SCREW,RS,M4X8	
51	XA9 - 0724 - 000		1	SCREW,RS,M3X8	
52	XA9 - 0724 - 000		1	SCREW,RS,M3X8	
53	XA9 - 0724 - 000		2	SCREW,RS,M3X8	
54	FB3 - 9435 - 000		1	PLATE, CABLE CLAMP	120V NJS/220/240V
501	XB1 - 2300 - 609		2	SCREW,MACH.,TRUSS HEAD,M3X6	EXCEPT GP210/210F EXCEPT GP211/211F
502	XB1 - 2300 - 609		1	SCREW,MACH.,TRUSS HEAD,M3X6	

FIGURE 103 INTERNAL COMPONENTS 2

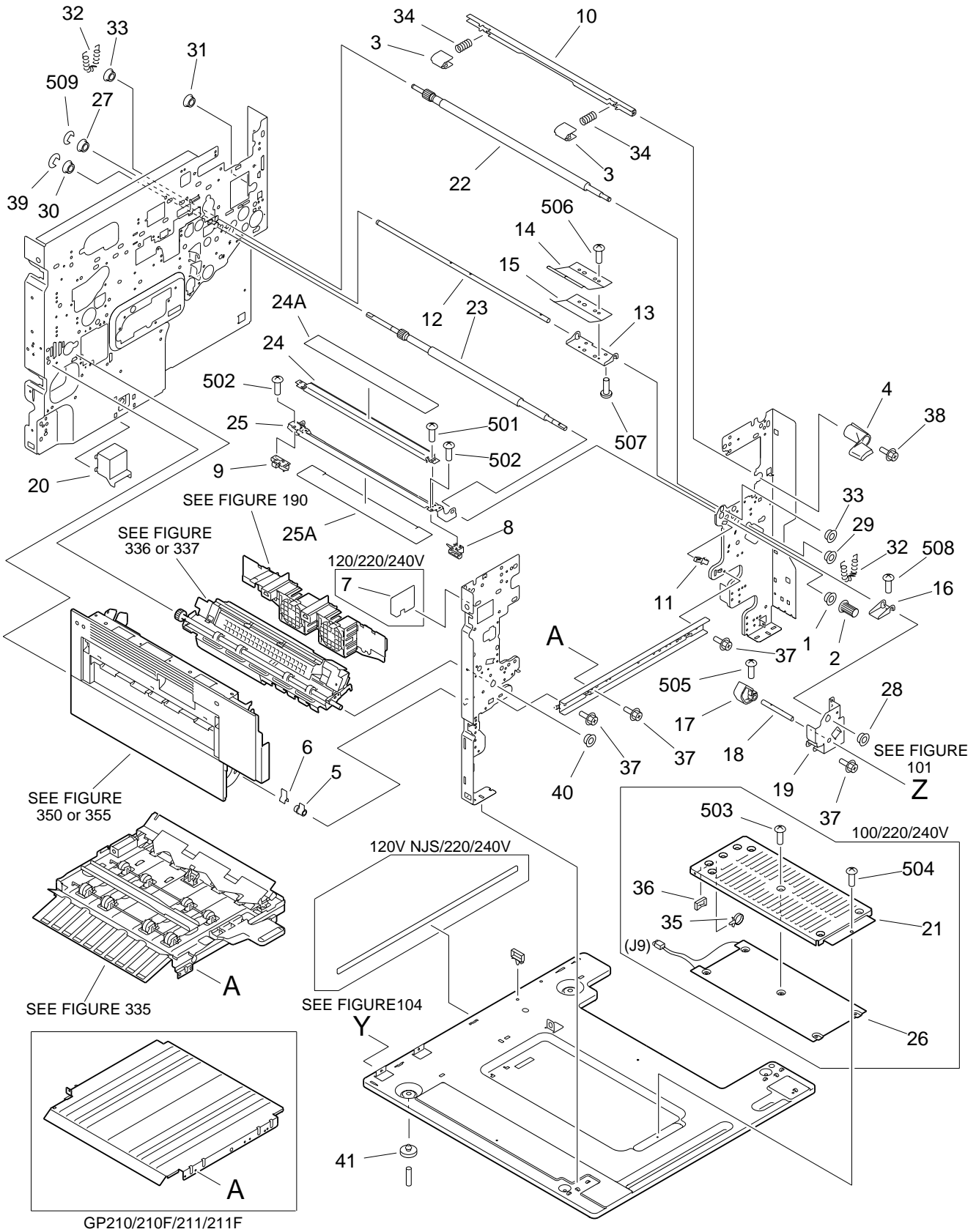


FIGURE & KEY NO.	PART NUMBER	RANK	QTY	DESCRIPTION	SERIAL NUMBER / REMARKS
103 -	NPN		RF	INTERNAL COMPONENTS 2	
1	FA1 - 0056 - 000		1	BUSHING	
2	FB1 - 7214 - 000		1	KNOB	
3	FB2 - 3900 - 000		2	CAM, DEVELOPMENT PRESSURE	
4	FB3 - 2205 - 000		1	HANDLE, DEVELOPMENT PRESSURE	MODEL A
	FB4 - 5382 - 000		1	HANDLE, DEVELOPING PRESSURE	MODEL B
5	FB3 - 2216 - 000		1	BUSHING	
6	FB3 - 2217 - 000		1	BUSHING	
7	FB3 - 2373 - 000		1	SHEET, BLANKING	120/220/240V
8	FB3 - 2662 - 000		1	BLOCK, PUSH-ON, FRONT	
9	FB3 - 2663 - 000		1	BLOCK, PUSH-ON, REAR	
10	FB3 - 2667 - 000		1	SHAFT, PRESSURE	
11	FB3 - 2782 - 000		1	BLOCK, TRANSFER GUIDE SUPPORT	
12	FB3 - 3027 - 000		1	SHAFT, FEED PRESSURE	
13	FB3 - 3028 - 000		1	HOLDER, LEAF SPRING	
14	FB3 - 3029 - 000		1	SPRING, LEAF, UPPER	
15	FB3 - 3030 - 000		1	SPRING, LEAF, LOWER	
16	FB3 - 3031 - 000		1	LEVER, PAPER FEED PRESSURE	
17	FB3 - 3033 - 000		1	CAM, PRESSURE	
18	FB3 - 3034 - 000		1	SHAFT, CAM	
19	FB3 - 3035 - 000		1	MOUNT, PRESSURE CAM	
20	FB3 - 3192 - 030		1	COVER, HEATER CONNECTOR	
21	FB3 - 7192 - 000		1	COVER, CASSETTE HEATER	100/220/240V
22	FF5 - 4476 - 000		1	ROLLER, REGISTRATION, UPPER	
23	FF5 - 4477 - 000		1	ROLLER, REGISTRATION, LOWER	
24	FF5 - 4542 - 020		1	GUIDE, TRANSFER, UPPER	
24 A	FB3 - 2668 - 020		1	SHEET, TRANSFER, UPPER	
25	FF5 - 4543 - 000		1	GUIDE, TRANSFER, LOWER	
25 A	FB3 - 2669 - 000		1	SHEET, TRANSFER, LOWER	
26	FH7 - 4507 - 000		1	HEATER, CASSETTE	100V J9

FIGURE & KEY NO.	PART NUMBER	RANK	QTY	DESCRIPTION	SERIAL NUMBER / REMARKS
103 - 26	FH7 - 4509 - 000		1	HEATER, CASSETTE	220/240V J9
27	FS1 - 1189 - 000		1	BUSHING	
28	FS1 - 1189 - 000		1	BUSHING	
29	FS1 - 1202 - 000		1	BUSHING	
30	FS1 - 1402 - 000		1	BUSHING	
31	FS2 - 1431 - 000		1	BUSHING	
32	FS2 - 2783 - 000		2	SPRING, TENSION	
33	FS5 - 1261 - 000		2	BUSHING, REGISTRATION, UPPER	
34	FS6 - 2317 - 000		2	SPRING, COMPRESSION	
35	WT2 - 5041 - 000		1	CLAMP, CABLE	100/220/240V
36	WT2 - 5056 - 000		2	CLIP, WIRE	100/220/240V
37	XA9 - 0629 - 000	AR		SCREW,RS,M4X8	
38	XA9 - 0629 - 000		1	SCREW,RS,M4X8	
39	XD9 - 0137 - 000		1	RING,E	
40	XG9 - 0250 - 000		2	BEARING, BALL	
41	XH9 - 0059 - 000		2	FOOT, RUBBER	
501	XB1 - 2300 - 609		2	SCREW,MACH.,TRUSS HEAD,M3X6	
502	XB1 - 2301 - 009		2	SCREW,MACH.,TRUSS HEAD,M3X10	
503	XB1 - 2400 - 409		5	SCREW,MACH.,TRUSS HEAD,M4X4	100/220/240V
504	XB1 - 2400 - 606		1	SCREW,MACH.,TRUSS HEAD,M4X6	100/220/240V
505	XB1 - 2401 - 609		1	SCREW,MACH.,TRUSS HEAD,M4X16	
506	XB6 - 7400 - 509		2	SCREW,TP,M4X5	
507	XB6 - 7501 - 209		2	SCREW,TP,M5X12	
508	XB6 - 7501 - 209		1	SCREW,TP,M5X12	
509	XD2 - 1100 - 642		1	RING,E	

FIGURE 104 MACHINE REAR PLATE(1/2)

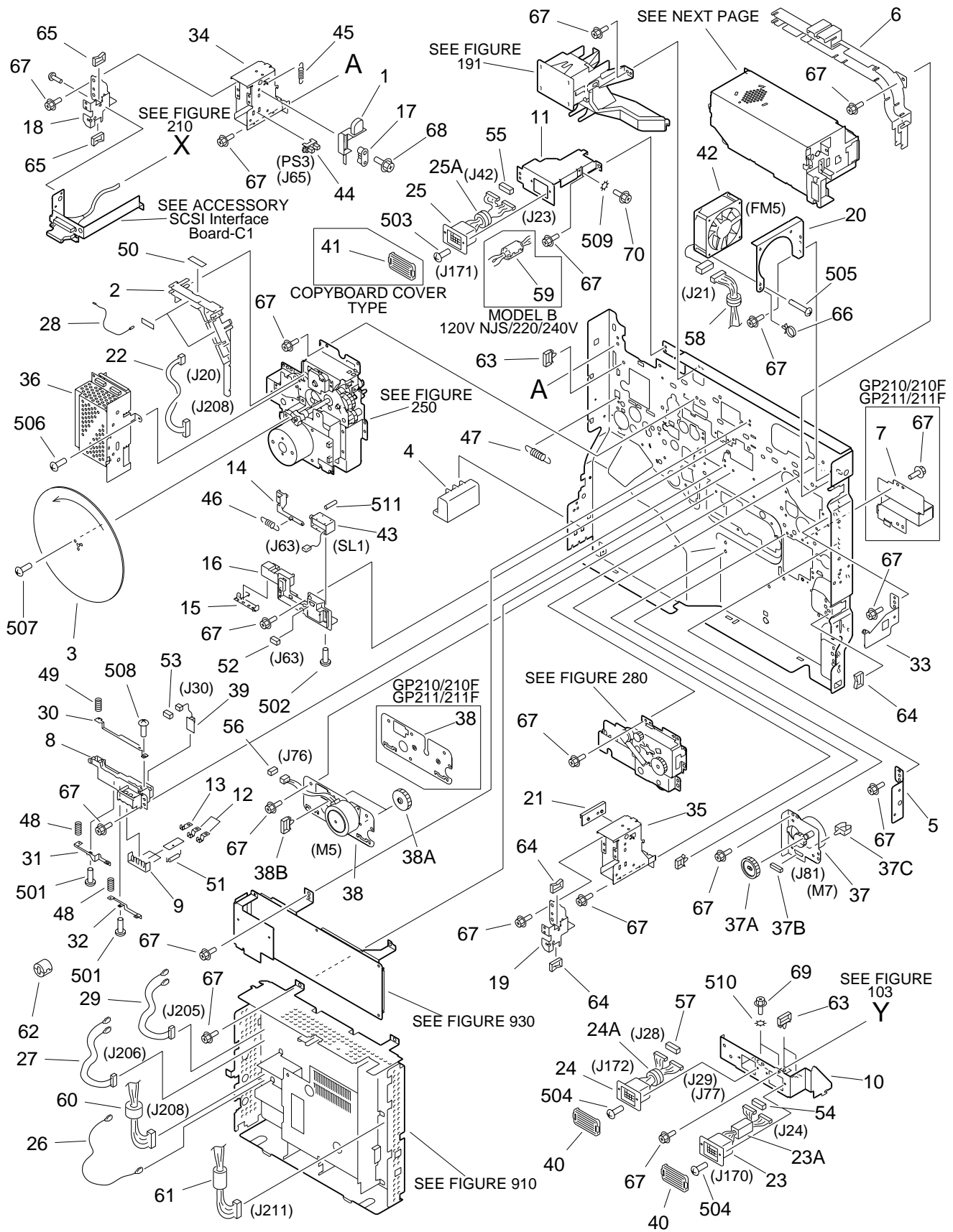
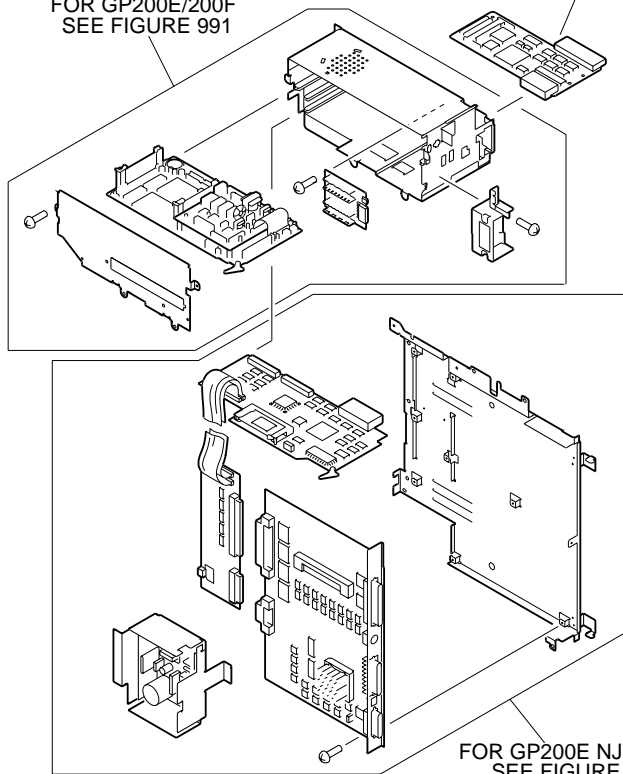


FIGURE 104 MACHINE REAR PLATE(2/2)

GP216F/215F/211F/210F/200E/200F

FOR GP216F/215F/211F/210F
FOR GP200E/200F
SEE FIGURE 991

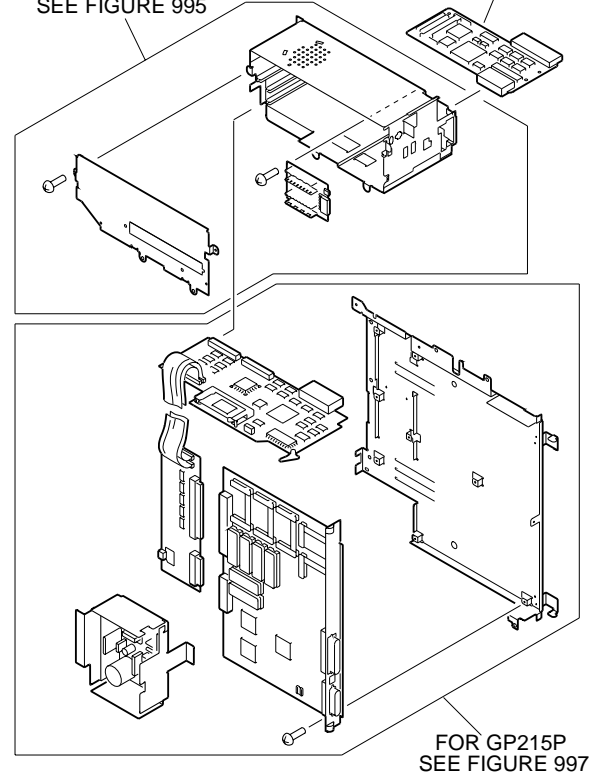
SEE FIGURE 990



GP215P/200/200D

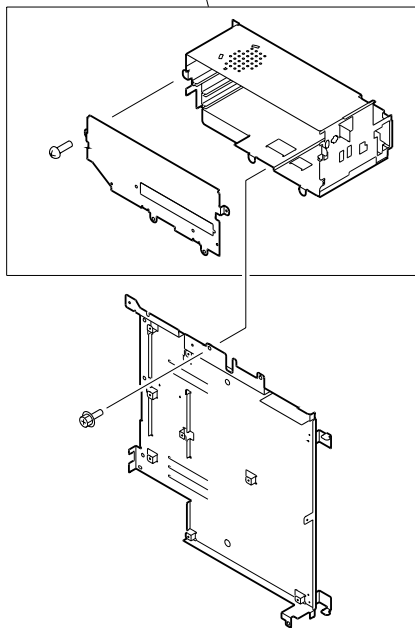
FOR GP215P/200/200D
SEE FIGURE 995

SEE FIGURE 990



GP215/211/210 120/220/240V

FOR GP215/211/210 120/220/240V
SEE FIGURE 998



GP216FP

FOR GP216FP
SEE FIGURE 991

SEE FIGURE 990

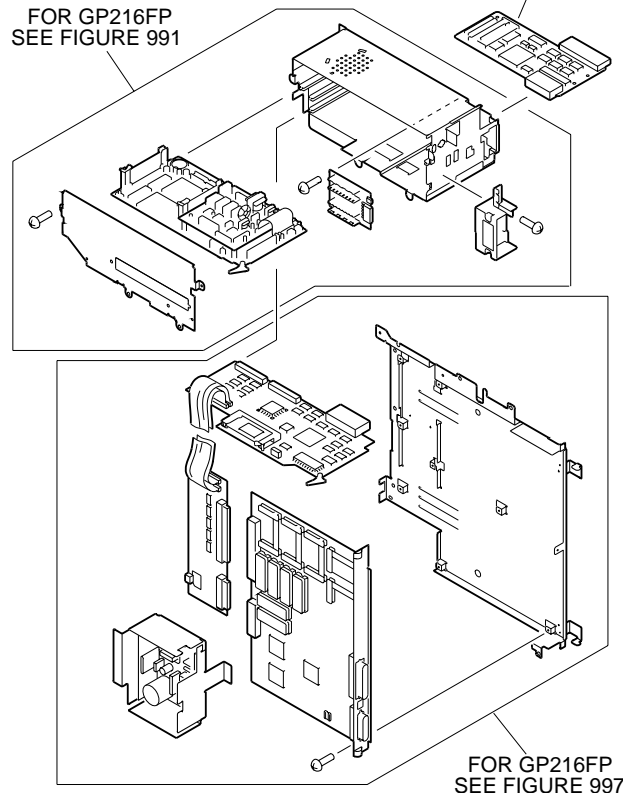


FIGURE & KEY NO.	PART NUMBER	RANK	QTY	DESCRIPTION	SERIAL NUMBER / REMARKS
104 -	NPN		RF	MACHINE REAR PLATE	
1	FB1 - 6668 - 000		1	LEVER, SENSING	
2	FB3 - 2208 - 000		1	GUIDE, DC CABLE, 1	
3	FB3 - 2209 - 000		1	FLYWHEEL	
4	FB3 - 2222 - 000		1	HANDLE, RIGHT, REAR	
5	FB3 - 2255 - 000		1	PLATE, REINFORCEMENT, REAR, 2	
6	FB3 - 2256 - 000		1	GUIDE, CABLE, 2	
7	FB3 - 2350 - 000		1	PLATE, INLET MOTOR BLANKING	GP210/210F GP211/211F
8	FB3 - 2592 - 000		1	BLOCK, TRANSFER CONNECTING	
9	FB3 - 2596 - 000		1	SUPPORT, CORD	
10	FB3 - 2601 - 000		1	MOUNT, ACC CONNECTOR	100/120V EXCEPT NJS
	FF5 - 4622 - 000		1	MOUNT, ACC CONNECTOR	120V NJS/220/240V
11	FB3 - 2609 - 000		1	MOUNT, DF CONNECTOR	
12	FB3 - 2644 - 000		2	PLATE, TERMINAL, 1	
13	FB3 - 2645 - 000		1	PLATE, TERMINAL, 2	
14	FB3 - 2761 - 000		1	LINK, SOLENOID DRIVE	
15	FB3 - 2762 - 000		1	PLATE, CONTACT	
16	FB3 - 2763 - 000		1	BLOCK, CONTACT	
17	FB3 - 2791 - 000		1	ROLLER, SENSOR MOUNT	
18	FB3 - 2792 - 000		1	PLATE, RDF SLIDER	
19	FB3 - 2792 - 000		1	PLATE, RDF SLIDER	
20	FB3 - 3180 - 000		1	MOUNT, COOLING FAN	
21	FB3 - 3193 - 020		1	GUIDE, RDF	
22	FF3 - 1137 - 000		1	CABLE, FLUORESCENT LAMP	J20,208
23	FF3 - 1157 - 000		1	CABLE, SORTER	100/120V EXCEPT NJS J24,77,170
	FF3 - 2052 - 000		1	CABLE, SORTER	120V NJS/220/240V J24,77,170
23 A	WE8 - 5204 - 000		1	CORE, FERRITE	120V NJS/220/240V
24	FF3 - 1158 - 000		1	CABLE, PEDESTAL	100/120V EXCEPT NJS J28,29,172
	FF3 - 2051 - 000		1	CABLE, PEDESTAL	120V NJS/220/240V J28,29,172
24 A	WE8 - 5113 - 000		1	CORE	120V NJS/220/240V

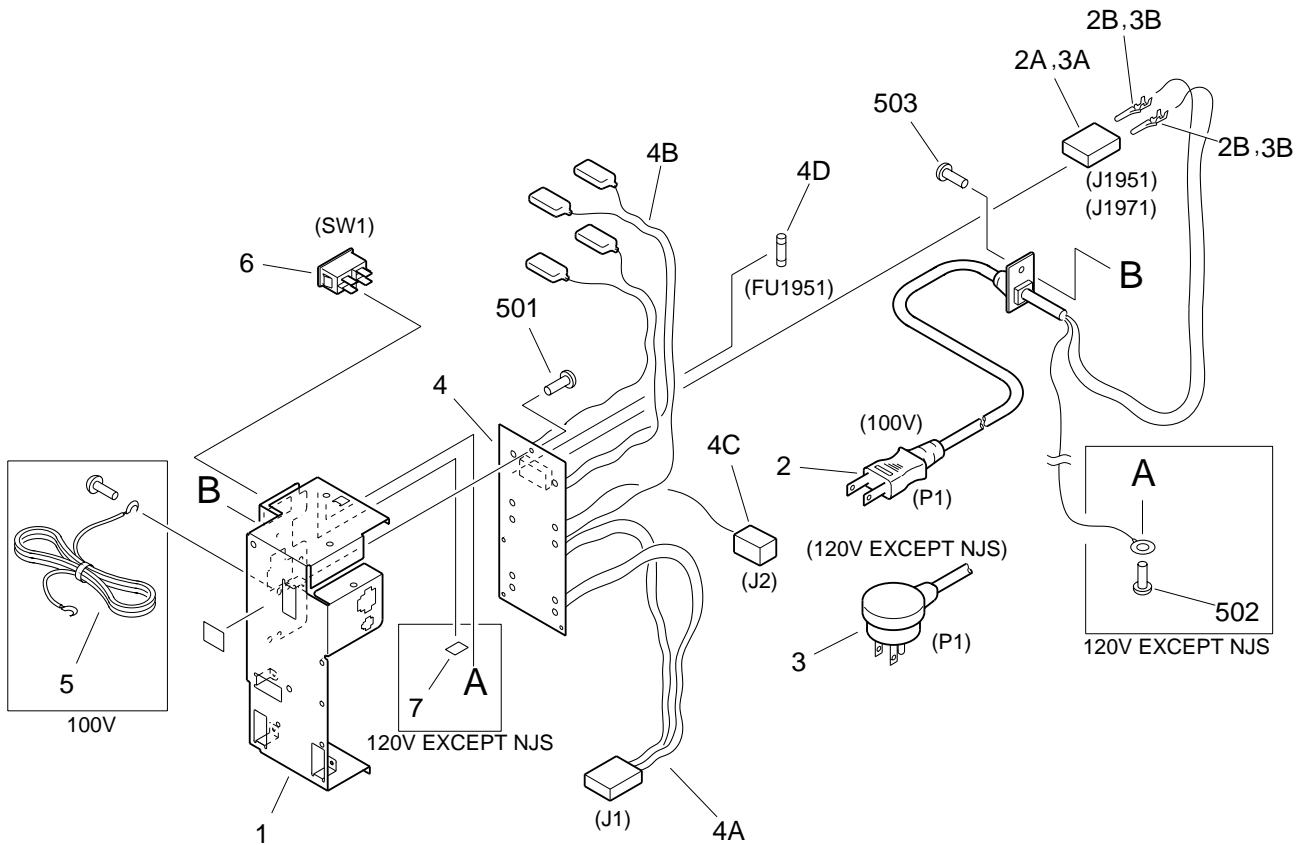
FIGURE & KEY NO.	PART NUMBER	RANK	QTY	DESCRIPTION	SERIAL NUMBER / REMARKS
104 - 25	FF3 - 1160 - 000		1	CABLE, DF	100/120V EXCEPT NJS J23,42,171
	FF3 - 2050 - 000		1	CABLE, DF	120V NJS/220/240V J23,42,171
25 A	WE8 - 5113 - 000		1	CORE	120V NJS/220/240V
26	FF3 - 1163 - 000		1	CABLE, TRANSFER	
27	FF3 - 1164 - 000		1	CABLE, STATIC EL./TRANS. GUIDE	J206
28	FF3 - 1187 - 000		2	CABLE, DEVELOPMENT/OUT PUT	
29	FF3 - 1189 - 000		1	CABLE, DEVELOPMENT/PRIMARY	J205
30	FF5 - 4499 - 000		1	PLATE, TERMINAL, TG	
31	FF5 - 4500 - 000		1	PLATE, TERMINAL, T	
32	FF5 - 4501 - 000		1	PLATE, TERMINAL, S	
33	FF5 - 4571 - 000		1	SUPPORT, PRINTER	
34	FF5 - 4574 - 000		1	MOUNT, RDF SLIDE	MODEL A
	FF5 - 7238 - 000		1	MOUNT, RDF SLIDE	MODEL B
35	FF5 - 4574 - 000		1	MOUNT, RDF SLIDE	MODEL A
	FF5 - 7238 - 000		1	MOUNT, RDF SLIDE	MODEL B
36	FG5 - 6195 - 000		1	APC POWER SUPPLY PCB UNIT	100/120V
	FG5 - 6204 - 000		1	APC POWER SUPPLY PCB UNIT	220/240V
37	FG5 - 6254 - 000		1	INLET DRIVE UNIT	MODEL A EXCEPT GP210/210F M7 J81
	FG6 - 0114 - 000		1	INLET DRIVE UNIT	MODEL B EXCEPT GP210/210F
37 A	FS6 - 0556 - 000		1	GEAR, 34T	EXCEPT GP211/211F M7 J81
37 B	VS1 - 5057 - 006		1	CONNECTOR, SNAP TIGHT	J81
37 C	WT2 - 0495 - 000		1	CLAMP, CABLE	
38	FG5 - 6255 - 000		1	LOWER FEEDER DRIVE UNIT	EXCEPT GP210/210F EXCEPT GP211/211F
	FB3 - 2992 - 000		1	MOUNT, LOWER FEED MOTOR	M5 J76 GP210/210F GP211/211F
38 A	FS6 - 0556 - 000		2	GEAR, 34T	EXCEPT GP210/210F EXCEPT GP211/211F
38 B	WT2 - 5496 - 000		1	CLAMP, CABLE	EXCEPT GP210/210F EXCEPT GP211/211F
39	FG5 - 6316 - 000		1	DRUM SENSOR UNIT	J30

FIGURE & KEY NO.	PART NUMBER	RANK	QTY	DESCRIPTION	SERIAL NUMBER / REMARKS
104 - 40	FH2 - 5824 - 000		2	COVER, CONNECTOR, 1	
41	FH2 - 5824 - 000		1	COVER, CONNECTOR, 1	COPYBOARD COVER TYPE
42	FH6 - 1257 - 000		1	FAN, POWER SUPPLY COOLING	FM5 J21
43	FH7 - 5394 - 000		1	SOLENOID, DC24V	SL1 J63
44	FH7 - 7312 - 000		1	PHOTO-INTERRUPTER	PS3 J65
45	FS2 - 2351 - 000		1	SPRING, TENSION	
46	FS5 - 2391 - 000		1	SPRING, TENSION	
47	FS6 - 2305 - 000		1	SPRING, TENSION	
48	FS6 - 2315 - 000		2	SPRING, COMPRESSION	
49	FS6 - 2816 - 000		1	SPRING, COMPRESSION	
50	ME1 - 0008 - 000		2	LABEL, "HIGH VOLTAGE"	
51	VR1 - 1141 - 103		3	RESISTOR, 10KOHM, 1/4W	
52	VS1 - 5057 - 002		1	CONNECTOR, SNAP TIGHT	J63
53	VS1 - 5057 - 002		1	CONNECTOR, SNAP TIGHT	J30
54	VS1 - 5057 - 004		1	CONNECTOR, SNAP TIGHT	J77
55	VS1 - 5057 - 005		1	CONNECTOR, SNAP TIGHT	J42
56	VS1 - 5057 - 006		1	CONNECTOR, SNAP TIGHT	EXCEPT GP210/210F EXCEPT GP211/211F J76
57	VS1 - 5057 - 007		1	CONNECTOR, SNAP TIGHT	J28
58	WE8 - 5113 - 000		1	CORE	120V NJS/220/240V
59	WE8 - 5141 - 000		1	CLAMP, SLEEVE FERRITE	MODEL B 120V NJS/220/240V
60	WE8 - 5184 - 000		1	FERRITE CORE	120V NJS/220/240V
61	WE8 - 5459 - 000		1	SLEEVE CORE	120V NJS/220/240V
62	WE8 - 5496 - 000		1	CORE, FERRITE	MODEL B 220/240V
63	WT2 - 0494 - 000		AR	CLAMP, CABLE	
64	WT2 - 5011 - 000		AR	CLIP, CABLE	
65	WT2 - 5011 - 000		2	CLIP, CABLE	
66	WT2 - 5041 - 000		1	CLAMP, CABLE	
67	XA9 - 0629 - 000		AR	SCREW,RS,M4X8	
68	XA9 - 0722 - 000		1	SCREW,RS,M4X12	

FIGURE & KEY NO.	PART NUMBER	R A N K	Q' T Y	DESCRIPTION	SERIAL NUMBER / REMARKS
104 - 69	XA9 - 0724 - 000		2	SCREW,RS,M3X8	
70	XA9 - 0724 - 000		1	SCREW,RS,M3X8	
501	XB1 - 2300 - 407		5	SCREW,MACH.,TRUSS HEAD,M3X4	
502	XB1 - 2300 - 409		2	SCREW,MACH.,TRUSS HEAD,M3X4	
503	XB1 - 2300 - 607		2	SCREW,MACH.,TRUSS HEAD,M3X6	
504	XB1 - 2300 - 607		4	SCREW,MACH.,TRUSS HEAD,M3X6	
505	XB1 - 2402 - 509		3	SCREW,MACH.,TRUSS HEAD,M4X25	
506	XB2 - 7400 - 607		1	SCREW,W/WASHER,M4X6	
507	XB2 - 8401 - 009		3	SCREW,W/WASHER,M4X10	
508	XB4 - 7300 - 609		1	SCREW,TAPPING,TRUSS HEAD,M3X6	
509	XD1 - 4200 - 302		1	WASHER,TOOTHED LOCK	
510	XD1 - 4200 - 302		2	WASHER,TOOTHED LOCK	
511	XD3 - 1300 - 102		1	PIN,SPRING	

POWER CORD TERMINAL ASSEMBLY (100/120V EXCEPT NJS)

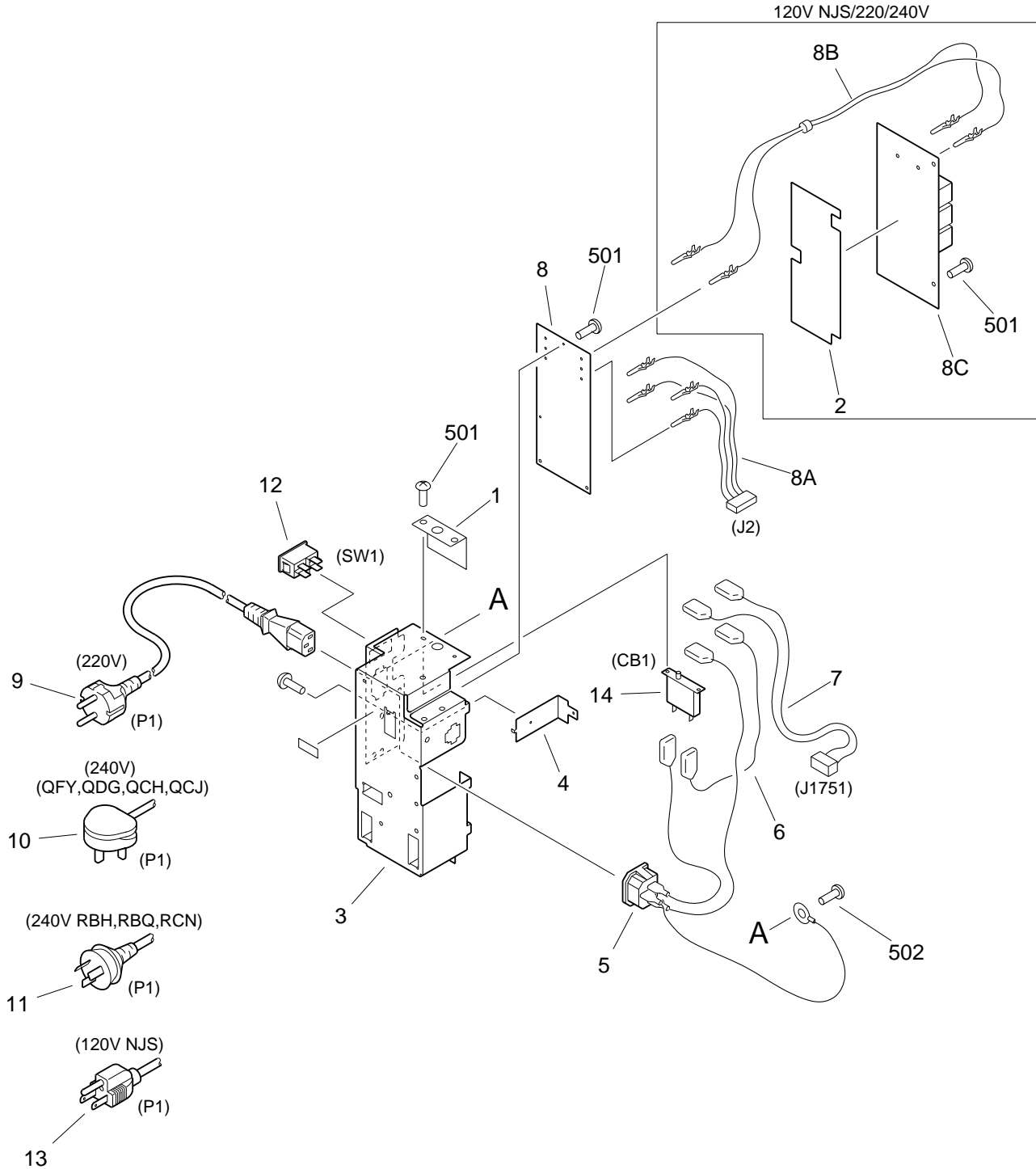
FIGURE 110



NOTE: This assembly does not include the part shown with key No. 5.

FIGURE & KEY NO.	PART NUMBER	RANK	QTY	DESCRIPTION	SERIAL NUMBER / REMARKS
110 -	FG5 - 6196 - 000		1	POWER CORD TERMINAL ASSEMBLY	100V
	FG5 - 6321 - 000		1	POWER CORD TERMINAL ASSEMBLY	120V EXCEPT NJS
1	FB3 - 2611 - 000		1	MOUNT, POWER CORD	
2	FF3 - 1151 - 000		1	CORD, POWER SUPPLY	100V P1 J1951
2 A	VS3 - 5122 - 003		1	CONNECTOR, 3P, MALE	100V
2 B	WS3 - 5292 - 000		2	SOCKET CONTACT	100V
3	FF3 - 1152 - 000		1	CORD, POWER SUPPLY	120V EXCEPT NJS P1 J1971
3 A	VS3 - 5122 - 003		1	CONNECTOR, 3P, MALE	120V EXCEPT NJS
3 B	WS3 - 5292 - 000		2	SOCKET CONTACT	120V EXCEPT NJS
4	FG5 - 6290 - 000		1	NOISE FILTER PCB ASSEMBLY	100V
	FG5 - 6298 - 000		1	NOISE FILTER PCB ASSEMBLY	120V EXCEPT NJS
4 A	FF3 - 1154 - 000		1	CABLE, FILTER, 1	J1
4 B	FF3 - 1155 - 000		2	CABLE, FILTER, 2	
4 C	FF3 - 1156 - 000		1	CABLE, FILTER, 3	J2
4 D	VD7 - 0271 - 502		1	FUSE	FU1951
5	FH2 - 5006 - 000		1	WIRE, GROUNDING	SEE NOTE 100V
6	FH7 - 6254 - 000		1	SWITCH, MAIN	SW1
7	ME1 - 0009 - 000		1	LABEL, "GROUNDING MARK"	120V EXCEPT NJS
5 0 1	XB1 - 2300 - 607		4	SCREW,MACH.,TRUSS HEAD,M3X6	
5 0 2	XB2 - 7400 - 607		1	SCREW,W/WASHER,M4X6	120V EXCEPT NJS
5 0 3	XB6 - 7300 - 607		1	SCREW,TP,M3X6	

POWER CORD TERMINAL ASSEMBLY FIGURE 111 (120V NJS/220/240V)



NOTE: This assembly does not include the parts shown with key No. 9, 10, 11 and 13.

FIGURE & KEY NO.	PART NUMBER	R A N K	Q' T Y	DESCRIPTION	SERIAL NUMBER / REMARKS	
111 -	FG5 - 9261 - 000		1	POWER CORD TERMINAL ASSEMBLY	120V NJS	
	FG5 - 6322 - 000		1	POWER CORD TERMINAL ASSEMBLY	220V 240V QFY,QDG,QCH,QCJ	
	FG5 - 9260 - 000		1	POWER CORD TERMINAL ASSEMBLY	240V RBH,RBQ,RCN	
	1	FB3 - 2380 - 000		1	SHEET, SEPARATION	
	2	FB3 - 2479 - 000		1	SHEET, FILTER	120V NJS/220/240V
3	FB3 - 2612 - 000		1	MOUNT, POWER CORD		
4	FB3 - 2614 - 000		1	SUPPORT, FILTER PCB		
5	FF3 - 1153 - 000		1	CORD, AC INLET		
6	FF3 - 1309 - 000		1	CABLE, CIRCUIT BREAKER		
7	FF3 - 1310 - 000		1	CABLE, FILTER, 4	J1751	
8	FG5 - 9172 - 000		1	NOISE FILTER PCB ASSEMBLY	120V NJS	
	FG5 - 6291 - 000		1	NOISE FILTER PCB ASSEMBLY	220V 240V QFY,QDG,QCH,QCJ	
	FG5 - 9259 - 000		1	NOISE FILTER PCB ASSEMBLY	240V RBH,RBQ,RCN	
8 A	FF3 - 1156 - 000		1	CABLE, FILTER, 3	J2	
8 B	FF3 - 1311 - 000		1	CABLE, FILTER, 5	120V NJS/220/240V	
8 C	FG5 - 6300 - 000		1	FILTER PCB UNIT	120V NJS/220/240V	
9	FH2 - 5761 - 020		1	CORD, POWER	SEE NOTE P1 220V	
10	FH2 - 5762 - 000		1	CORD, POWER	SEE NOTE P1 240V QFY,QDG,QCH,QCJ	
11	FH2 - 5763 - 000		1	CORD, POWER	SEE NOTE P1 240V RBH,RBQ,RCN	
12	FH7 - 6254 - 000		1	SWITCH, MAIN	SW1	
13	RH2 - 5158 - 000		1	CORD, POWER SUPPLY	SEE NOTE P1 120V NJS	
14	WD3 - 5063 - 000		1	CIRCUIT BRAKER	120V NJS CB1	
	WD3 - 5007 - 000		1	CIRCUIT BREAKER	220/240V CB1	
501	XB1 - 2300 - 607		10	SCREW,MACH.,TRUSS HEAD,M3X6		
502	XB2 - 7400 - 607		1	SCREW,W/WASHER,M4X6		

FIGURE 120 RIGHT DOOR ASSEMBLY

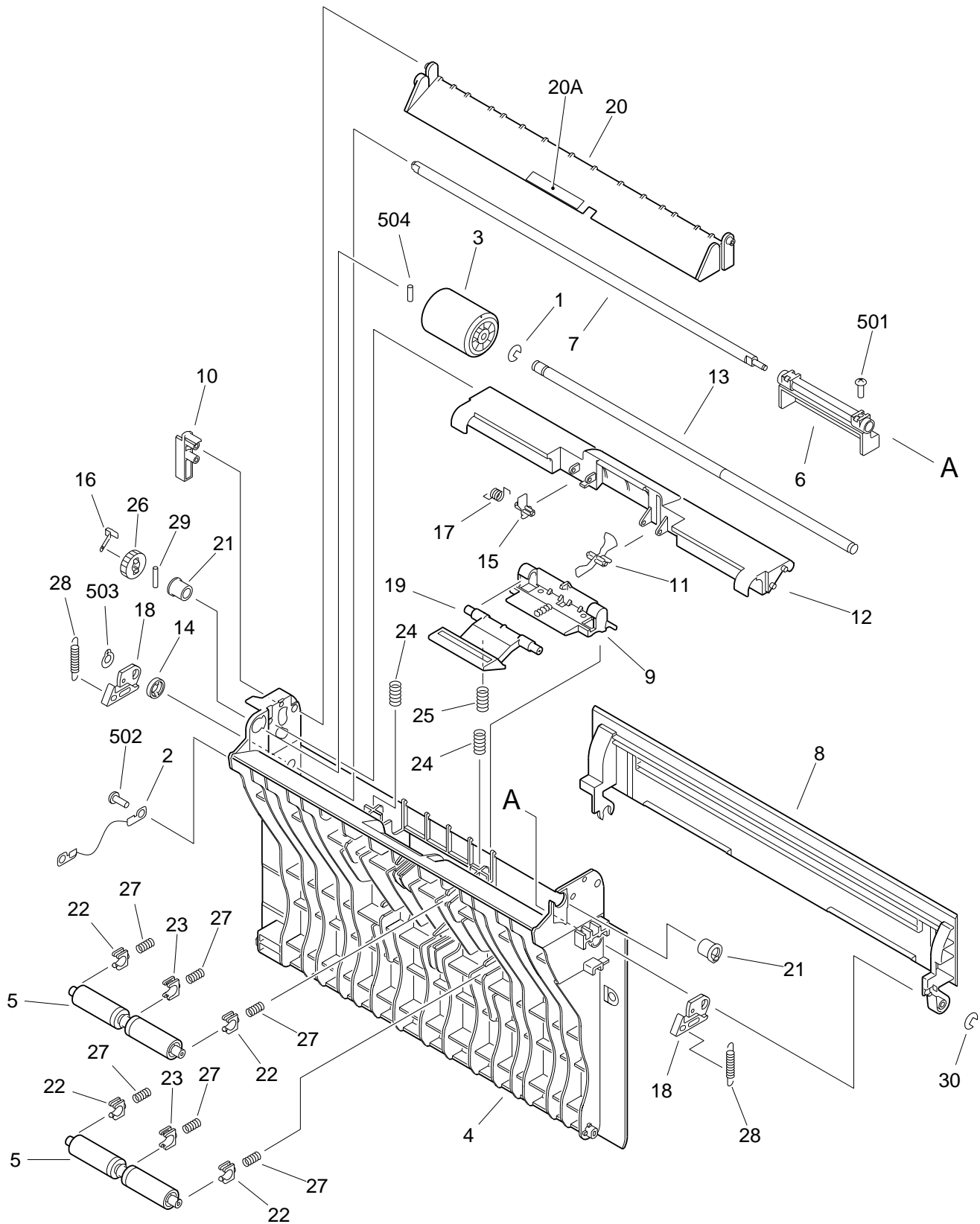
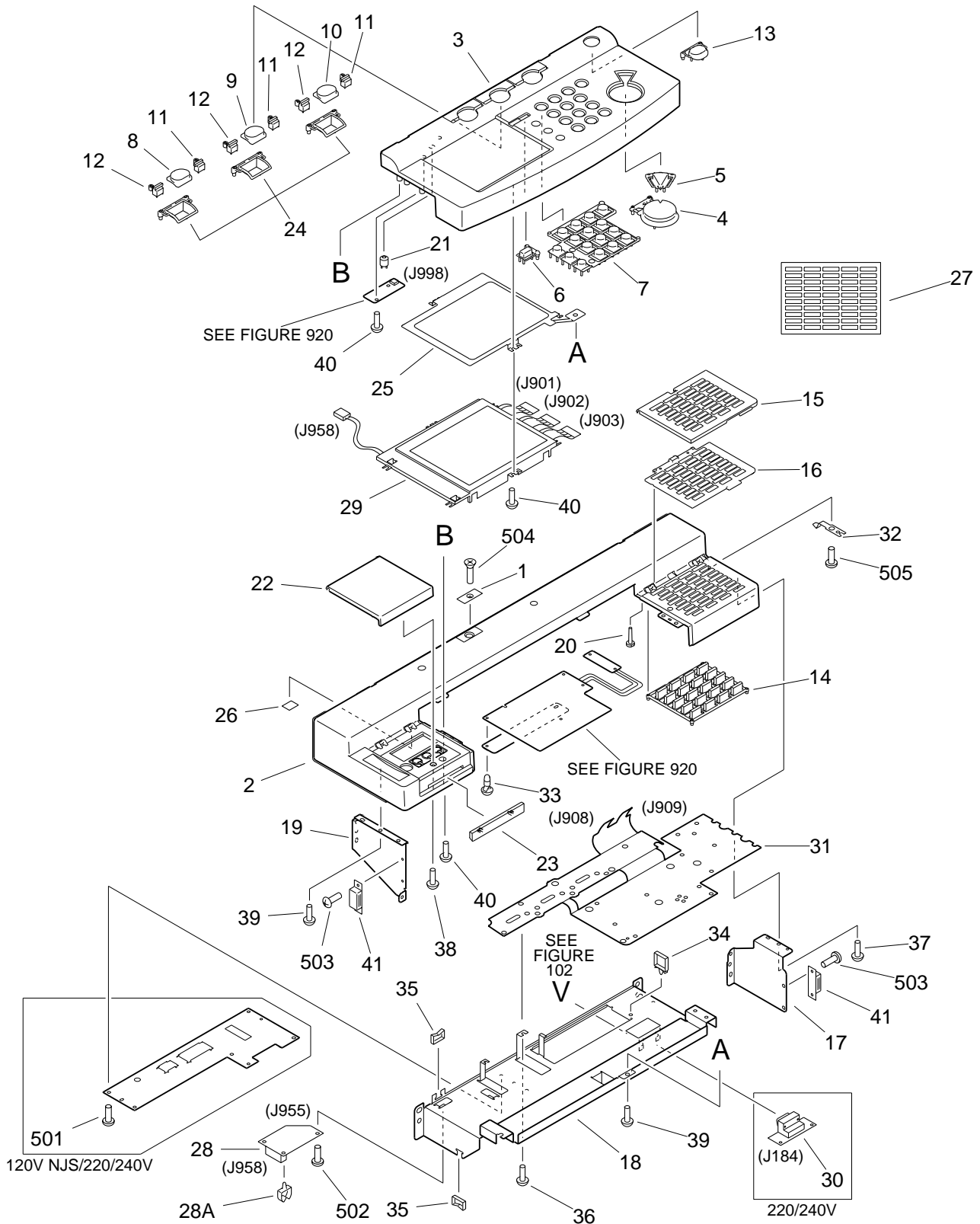


FIGURE & KEY NO.	PART NUMBER	R A N K	Q' T Y	DESCRIPTION	SERIAL NUMBER / REMARKS
120 -	FG5 - 6230 - 070		1	RIGHT DOOR ASSEMBLY	
1	FA4 - 1159 - 000		1	RING, RETAINING	
2	FB1 - 8439 - 000		1	WIRE, DOOR SUPPORT	
3	FB1 - 8581 - 000		1	ROLLER, MULTI FEED	
4	FB3 - 2810 - 020		1	DOOR, RIGHT	
5	FB3 - 2811 - 000		2	ROLLER, BELT IDLER	
6	FB3 - 2812 - 000		1	HANDLE, RIGHT DOOR	
7	FB3 - 2813 - 000		1	SHAFT, RIGHT DOOR HANDLE	
8	FB3 - 2814 - 000		1	DOOR, RIGHT, UPPER	
9	FB3 - 2815 - 000		1	ARM, MULTI FEED, 1	
10	FB3 - 2817 - 040		1	ARM, CAM FOLLOWER	
11	FB3 - 2818 - 020		1	FLAG, PAPER SENSOR, 1	
12	FB3 - 2819 - 000		1	COVER, MULTI FEED ROLLER	
13	FB3 - 2820 - 000		1	SHAFT, MULTI FEED ROLLER	
14	FB3 - 2821 - 000		1	BUSHING	
15	FB3 - 2833 - 000		1	FLAG, PAPER SENSOR, 2	
16	FB3 - 2834 - 000		1	PLATE, MULTI ROLLER GROUNDING	
17	FB3 - 2835 - 000		1	SPRING, TORSION	
18	FB3 - 2837 - 000		2	HOOK, RIGHT DOOR	
19	FC1 - 9022 - 030		1	ARM, MULTI FEED	
20	FF5 - 4488 - 000		1	PLATE, MULTI FEED	
20 A	FB1 - 8584 - 000		1	SHEET, MULTI FEED PLATE	
21	FS5 - 1209 - 000		2	BUSHING	
22	FS5 - 1595 - 000		4	BUSHING, VERTICAL ROLLER	
23	FS5 - 1598 - 000		2	BUSHING, VERTICAL ROLLER	
24	FS5 - 2320 - 000		2	SPRING, COMPRESSION	
25	FS5 - 2321 - 000		1	SPRING, COMPRESSION	
26	FS6 - 0578 - 000		1	GEAR, 19T	
27	FS6 - 2308 - 000		6	SPRING, COMPRESSION	
28	FS6 - 2337 - 000		2	SPRING, TENSION	

FIGURE & KEY NO.	PART NUMBER	RANK	QTY	DESCRIPTION	SERIAL NUMBER / REMARKS
120 - 29	XD9 - 0104 - 000		1	PIN,DOWEL	
30	XD9 - 0134 - 000		1	RING,E	
501	XB1 - 2400 - 809		1	SCREW,MACH.,TRUSS HEAD,M4X8	
502	XB4 - 7400 - 809		1	SCREW,TAPPING,TRUSS HEAD,M4X8	
503	XD2 - 2100 - 602		1	RING,GRIP	
504	XD3 - 2160 - 162		1	PIN,DOWEL	

FIGURE 130 CONTROL PANEL ASSEMBLY



NOTE1: This assembly includes the assembly shown in Figure 920.

NOTE2: This assembly does not include the parts shown with key No. 1, 27, 30 and 504.

FIGURE & KEY NO.	PART NUMBER	R A N K	Q' T Y	DESCRIPTION	SERIAL NUMBER / REMARKS
130 -	FG5 - 6190 - 070		1	CONTROL PANEL ASSEMBLY	JAPANESE SEE NOTE 1
	FG5 - 6335 - 060		1	CONTROL PANEL ASSEMBLY	ENGLISH A/INCH SIZE SEE NOTE 1
	FG5 - 6338 - 070		1	CONTROL PANEL ASSEMBLY	ENGLISH AB/INCH SIZE SEE NOTE 1
	FG5 - 6341 - 070		1	CONTROL PANEL ASSEMBLY	ENGLISH A SIZE SEE NOTE 1
	FG5 - 6344 - 070		1	CONTROL PANEL ASSEMBLY	FRENCH SEE NOTE 1
1	FG5 - 6347 - 070		1	CONTROL PANEL ASSEMBLY	GERMAN SEE NOTE 1
	FG5 - 6350 - 070		1	CONTROL PANEL ASSEMBLY	ILLUSTRATION SEE NOTE 1
	FG5 - 6353 - 070		1	CONTROL PANEL ASSEMBLY	ITALIAN SEE NOTE 1
	FA3 - 9315 - 000		1	PLATE, COVER	SEE NOTE 2 MODEL A
	FA9 - 3609 - 000		1	PLATE, COVER	SEE NOTE 2 MODEL B RDF TYPE
2 3	FB3 - 8864 - 000		1	PLATE, COVER	SEE NOTE 2 MODEL B EXCEPT RDF TYPE
	FB3 - 2520 - 000		1	CASE, CONTROL	
	FB3 - 2521 - 030		1	PANEL, CONTROL	JAPANESE
	FB3 - 2271 - 030		1	PANEL, CONTROL	ENGLISH A/INCH SIZE
	FB3 - 2279 - 040		1	PANEL, CONTROL	ENGLISH AB/INCH SIZE
	FB3 - 2288 - 040		1	PANEL, CONTROL	ENGLISH A SIZE
	FB3 - 2275 - 040		1	PANEL, CONTROL	FRENCH
	FB3 - 2280 - 040		1	PANEL, CONTROL	GERMAN
	FB3 - 2284 - 040		1	PANEL, CONTROL	ILLUSTRATION
	FB3 - 2289 - 040		1	PANEL, CONTROL	ITALIAN
4	FB3 - 2522 - 000		1	KEY TOP, START	
5	FB3 - 2523 - 000		1	KEY TOP, STOP	
6	FB3 - 2524 - 000		1	KEY TOP, RESET	
7	FB3 - 2525 - 020		1	KEY TOP, NUMBER	
8	FB3 - 2526 - 000		1	KEY TOP, FUNCTION, 1	JAPANESE
	FB3 - 2272 - 000		1	KEY TOP, FUNCTION, 1	ENGLISH
	FB3 - 2276 - 000		1	KEY TOP, FUNCTION, 1	FRENCH
	FB3 - 2281 - 000		1	KEY TOP, FUNCTION, 1	GERMAN
	FB3 - 2285 - 000		1	KEY TOP, FUNCTION, 1	ILLUSTRATION
	FB3 - 2290 - 000		1	KEY TOP, FUNCTION, 1	ITALIAN

FIGURE & KEY NO.	PART NUMBER	RANK	QTY	DESCRIPTION	SERIAL NUMBER / REMARKS	
130 - 9	FB3 - 2527 - 000		1	KEY TOP, FUNCTION, 2	JAPANESE	
	FB3 - 2273 - 000		1	KEY TOP, FUNKTION, 2	ENGLISH/FRENCH GERMAN/ITALIAN	
	FB3 - 2286 - 000		1	KEY TOP, FUNCTION, 2	ILLUSTRATION	
	10	FB3 - 2528 - 000		1	KEY TOP, FUNCTION, 3	JAPANESE
		FB3 - 2277 - 000		1	KEY TOP, FUNCTION, 3	ENGLISH A/INCH SIZE

	FB3 - 2274 - 000		1	KEY TOP, FUNKTION, 3	ENGLISH AB/INCH SIZE ENGLISH A SIZE	
	FB3 - 2278 - 000		1	KEY TOP, FUNCTION, 3	FRENCH	
	FB3 - 2283 - 000		1	KEY TOP, FUNCTION, 3	GERMAN	
	FB3 - 2287 - 000		1	KEY TOP, FUNCTION, 3	ILLUSTRATION	
	FB3 - 2292 - 000		1	KEY TOP, FUNCTION, 3	ITALIAN	

11	FB3 - 2529 - 000		3	COVER, LED PANEL, RIGHT		
12	FB3 - 2530 - 000		3	COVER, LED PANEL, LEFT		
13	FB3 - 2531 - 000		1	KEY TOP, POWER SUPPLY		
14	FB3 - 2532 - 000		1	KEY TOP, ONE-TOUCH		
15	FB3 - 2533 - 000		1	COVER, ONE-TOUCH KEY TOP, 1		

16	FB3 - 2534 - 000		1	COVER, ONE-TOUCH KEY TOP, 2		
17	FB3 - 2535 - 000		1	MOUNT, CONTROL PANEL, RIGHT		
18	FB3 - 2536 - 000		1	MOUNT, CONTROL PANEL, CENTER		
19	FB3 - 2537 - 000		1	MOUNT, CONTROL PANEL, LEFT		
20	FB3 - 2538 - 000		2	ACTUATOR		

21	FB3 - 2539 - 000		1	CAP, PILOT LAMP		
22	FB3 - 2540 - 000		1	COVER, CC-5		
23	FB3 - 2541 - 000		1	PLATE, CARD BLANKING		
24	FB3 - 2542 - 000		3	BLOCK, REFLECTOR		
25	FB3 - 2543 - 000		1	PLATE, GROUNDING		

26	FB3 - 2544 - 000		2	SHEET, BLANKING		
27	FB3 - 2553 - 000		2	LABEL, ONE-TOUCH KEY	SEE NOTE 2	
28	FG5 - 5207 - 000		1	CONT. PANEL INVERTER PCB ASS'Y	J955,958	
28 A	WT2 - 0495 - 000		1	CLAMP, CABLE		
29	FG5 - 7495 - 000		1	LCD UNIT	J901-903,958	

FIGURE & KEY NO.	PART NUMBER	R A N K	Q' T Y	DESCRIPTION	SERIAL NUMBER / REMARKS
130 - 30	FG5 - 9050 - 000		1	RS232C END PCB ASSEMBLY	SEE NOTE 2 220/240V J184 J908,909
31	FH6 - 0657 - 000		1	MEMBRANE SWITCH PCB UNIT	
32	FS6 - 2304 - 000		2	SPRING, LEAF	
33	VT2 - 5020 - 010		3	SPACER	
34	WT2 - 0494 - 000		1	CLAMP, CABLE	
35	WT2 - 5499 - 000		2	CLIP, CABLE	
36	XA9 - 0591 - 000		6	SCREW,M3X8	
37	XA9 - 0591 - 000		2	SCREW,M3X8	
38	XA9 - 0591 - 000		1	SCREW,M3X8	
39	XA9 - 0596 - 000		13	SCREW,P,M3X6	
40	XA9 - 0596 - 000		18	SCREW,P,M3X6	120V NJS/220/240V
41	XZ9 - 0428 - 000		2	MAGNET CATCH	
501	XB1 - 2300 - 407		8	SCREW,MACH.,TRUSS HEAD,M3X4	
502	XB1 - 2300 - 609		2	SCREW,MACH.,TRUSS HEAD,M3X6	
503	XB1 - 2300 - 609		4	SCREW,MACH.,TRUSS HEAD,M3X6	
504	XB1 - 3400 - 806		1	SCREW,MACH.,C.S. HEAD,M4X8	SEE NOTE 2
505	XB4 - 7200 - 409		2	SCREW,TAPPING,TRUSS HEAD,M2X4	

FIGURE 160 COPYBOARD COVER ASSEMBLY

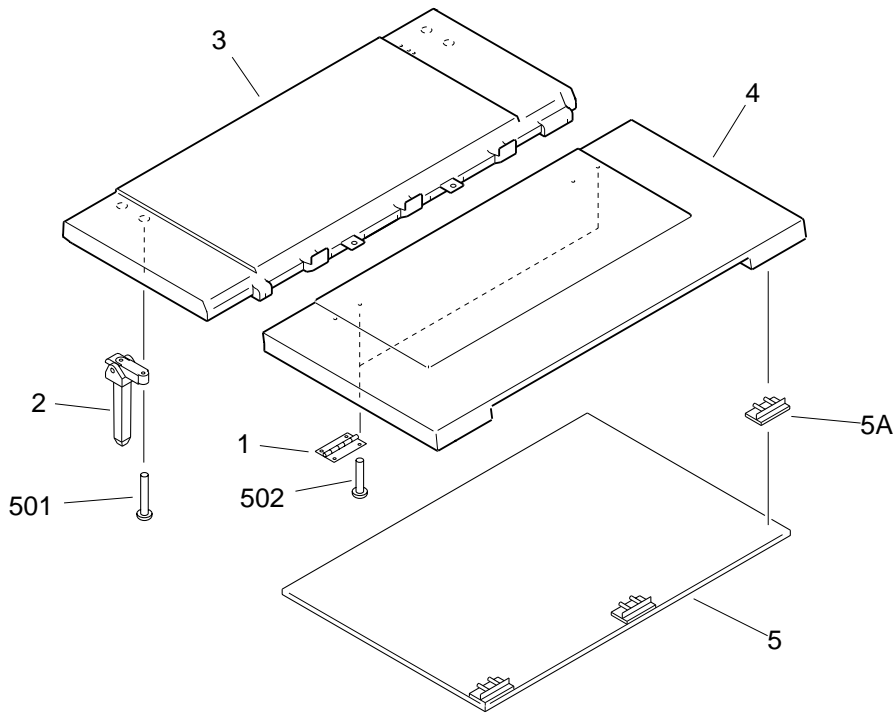
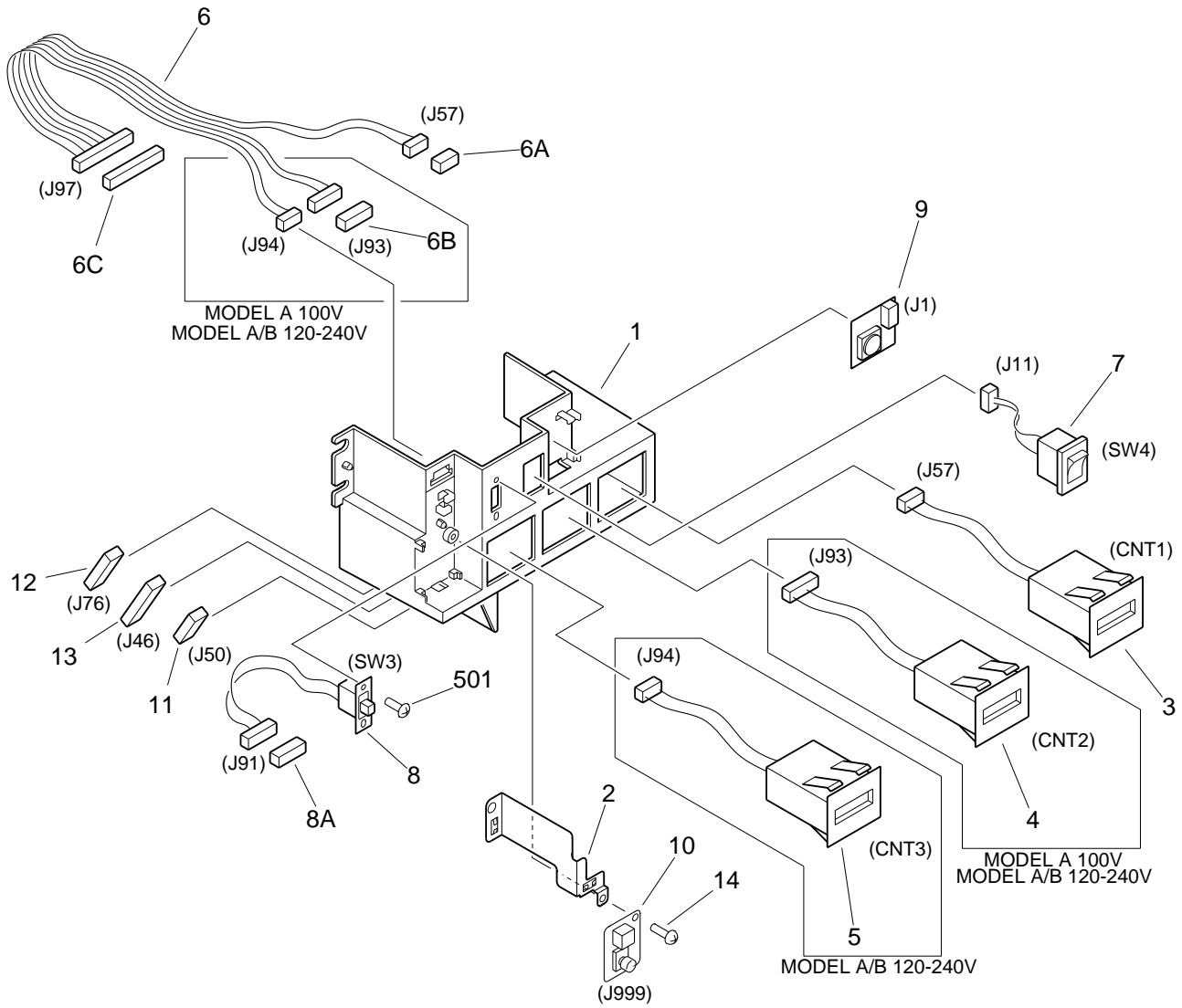


FIGURE & KEY NO.	PART NUMBER	RANK	QTY	DESCRIPTION	SERIAL NUMBER / REMARKS
160 -	FG9 - 3746 - 000		1	COPYBOARD COVER ASSEMBLY	
1	FA5 - 1185 - 000		2	PLATE, HINGE	
2	FA9 - 3633 - 000		2	HINGE, COPYBOARD COVER	
3	FA9 - 3635 - 000		1	COVER, COPYBOARD, REAR	
4	FA9 - 3636 - 000		1	COVER, COPYBOARD, FRONT	
5	FF9 - 1694 - 000		1	CUSHION ASS'Y, COPYBOARD COVER	
5 A	FA9 - 3637 - 000		3	PLATE, CUSHION MOUNTING	
501	XB1 - 2401 - 609		4	SCREW, MACH., TRUSS HEAD, M4X16	
502	XB4 - 7401 - 209		8	SCREW, TAPPING, TRUSS HEAD, M4X12	

FIGURE 180 COUNTER ASSEMBLY



NOTE: This assembly does not include the parts shown with key No. 11, 12 and 13.

FIGURE & KEY NO.	PART NUMBER	RANK	QTY	DESCRIPTION	SERIAL NUMBER / REMARKS
180 - 1 2	FG5 - 6201 - 000		1	COUNTER ASSEMBLY	MODEL A 100V
	FG6 - 1165 - 000		1	COUNTER ASSEMBLY	MODEL B 100V
	FG5 - 6332 - 000		1	COUNTER ASSEMBLY	
	FB3 - 2615 - 000		1	MOUNT, COUNTER	
	FB3 - 2643 - 000		1	SPRING, LEAF	
3	FF3 - 1190 - 000		1	COUNTER, 1	CNT1 J57
4	FF3 - 1191 - 000		1	COUNTER, 2	MODEL A 100V CNT2 J93
5	FF3 - 1192 - 000		1	COUNTER, 3	CNT3 J94
6	FF3 - 1304 - 000		1	CABLE, COUNTER	MODEL A 100V
6 A	VS1 - 5057 - 002		1	CONNECTOR, SNAP TIGHT	J57,93,94,97 MODEL B 100V J57,97
6 B	VS1 - 5057 - 003		1	CONNECTOR, SNAP TIGHT	J57 MODEL A 100V J93
6 C	VS1 - 5057 - 006		1	CONNECTOR, SNAP TIGHT	J97
7	FF3 - 1305 - 000		1	CABLE, OPTION SWITCH	SW4 J11
8	FF3 - 1306 - 000		1	CABLE, DEHUMIDIFIER SWITCH	SW3 J91
8 A	VS1 - 5057 - 003		1	CONNECTOR, SNAP TIGHT	J91
9	FG5 - 1914 - 000		1	SERVICE SWITCH PCB ASSEMBLY	J1
10	FG5 - 7209 - 000		1	C. PANEL VOLUME PCB ASSEMBLY	J999
11	VS1 - 5057 - 004		1	CONNECTOR, SNAP TIGHT	SEE NOTE J50
12	VS1 - 5057 - 006		1	CONNECTOR, SNAP TIGHT	SEE NOTE J76
13	VS1 - 5057 - 007		1	CONNECTOR, SNAP TIGHT	SEE NOTE J46
14	XA9 - 0591 - 000		1	SCREW,M3X8	
501	XB1 - 2200 - 409		2	SCREW,MACH.,TRUSS HEAD,M2X4	

FIGURE 190 EXHAUST FAN ASSEMBLY

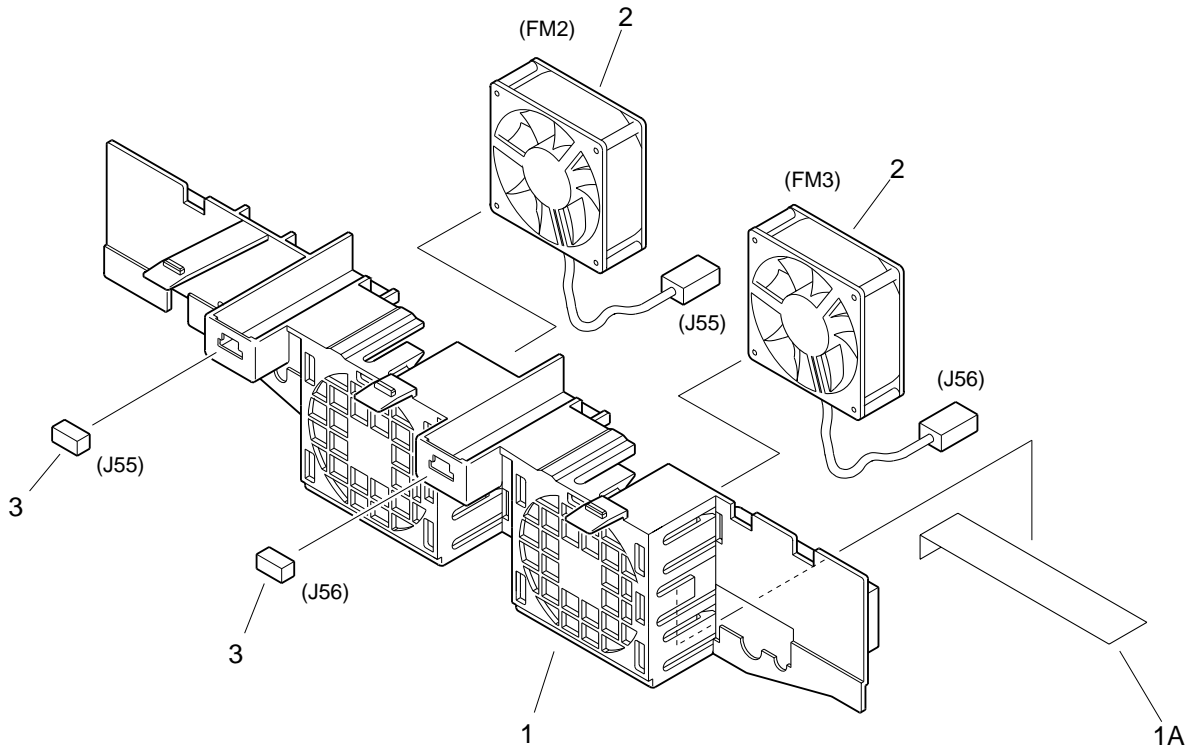
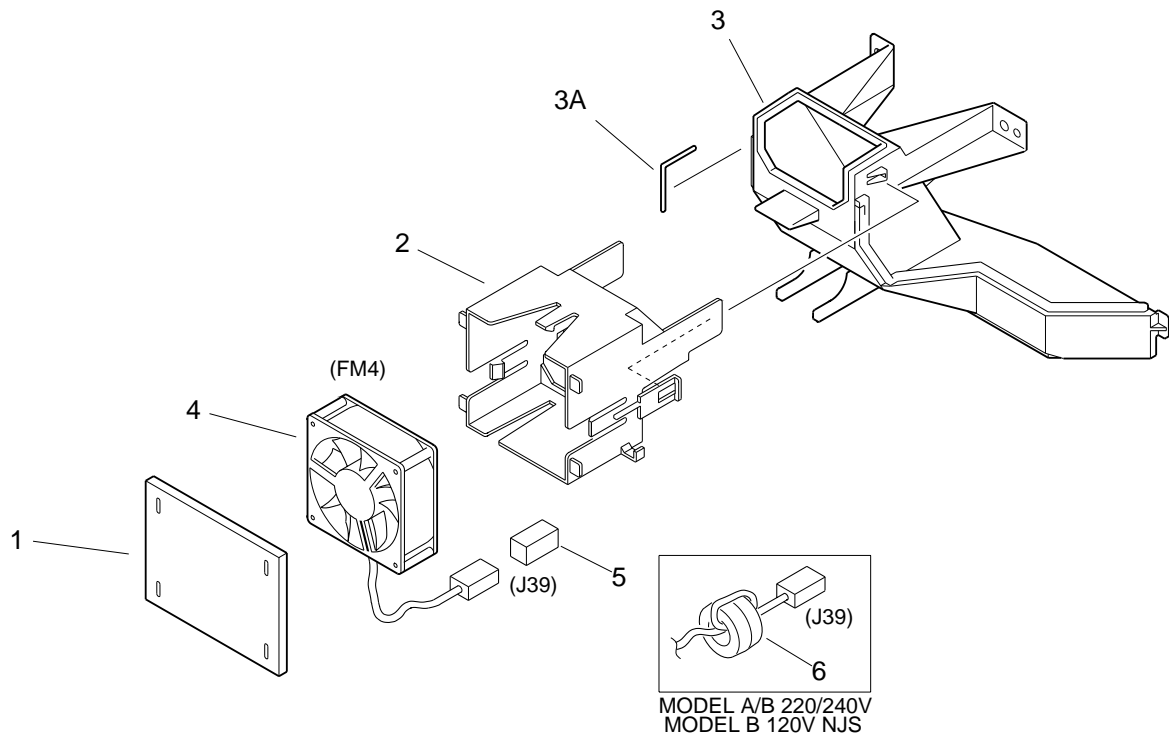


FIGURE & KEY NO.	PART NUMBER	RANK	QTY	DESCRIPTION	SERIAL NUMBER / REMARKS
190 -	FG5 - 6215 - 000		1	EXHAUST FAN ASSEMBLY	
1	FF5 - 4582 - 000		1	MOUNT, EXHAUST FAN	
1A	FB3 - 2779 - 000		1	SHEET, DUCT, 3	
2	FH6 - 1409 - 000		2	FAN	FM2,3 J55,56
3	VS1 - 5057 - 002		2	CONNECTOR, SNAP TIGHT	J55,56

FIGURE 191 LASER COOLING FAN ASSEMBLY



NOTE: This assembly does not include the part shown with key No.5.

FIGURE & KEY NO.	PART NUMBER	RANK	QTY	DESCRIPTION	SERIAL NUMBER / REMARKS
191 -	FG5 - 6216 - 000		1	LASER COOLING FAN ASSEMBLY	MODEL A 100/120V
	FG6 - 1171 - 000		1	LASER COOLING FAN ASSEMBLY	MODEL B 100V 120V EXCEPT NJS
	FG6 - 1681 - 000		1	LASER COOLING FAN ASSEMBLY	MODEL B 120V NJS MODEL A/B 220/240V
1	FB3 - 2766 - 000		1	FILTER, AIR	
2	FB3 - 2767 - 000		1	MOUNT, COOLING FAN	
3	FF5 - 4540 - 000		1	DUCT, COOLING FAN, 1	
3 A	FB3 - 2770 - 000		2	SEAL, DUCT, 1	
4	FH6 - 1409 - 000		1	FAN	MODEL A 100/120V FM4 J39
	FH6 - 1275 - 000		1	FAN	MODEL B 100/120V MODEL A/B 220/240V FM4 J39
5	VS1 - 5057 - 002		1	CONNECTOR, SNAP TIGHT	SEE NOTE J39
6	WE8 - 5113 - 000		1	CORE	MODEL B 120V NJS MODEL A/B 220/240V

FIGURE 210 LENS MOUNT ASSEMBLY(1/2)

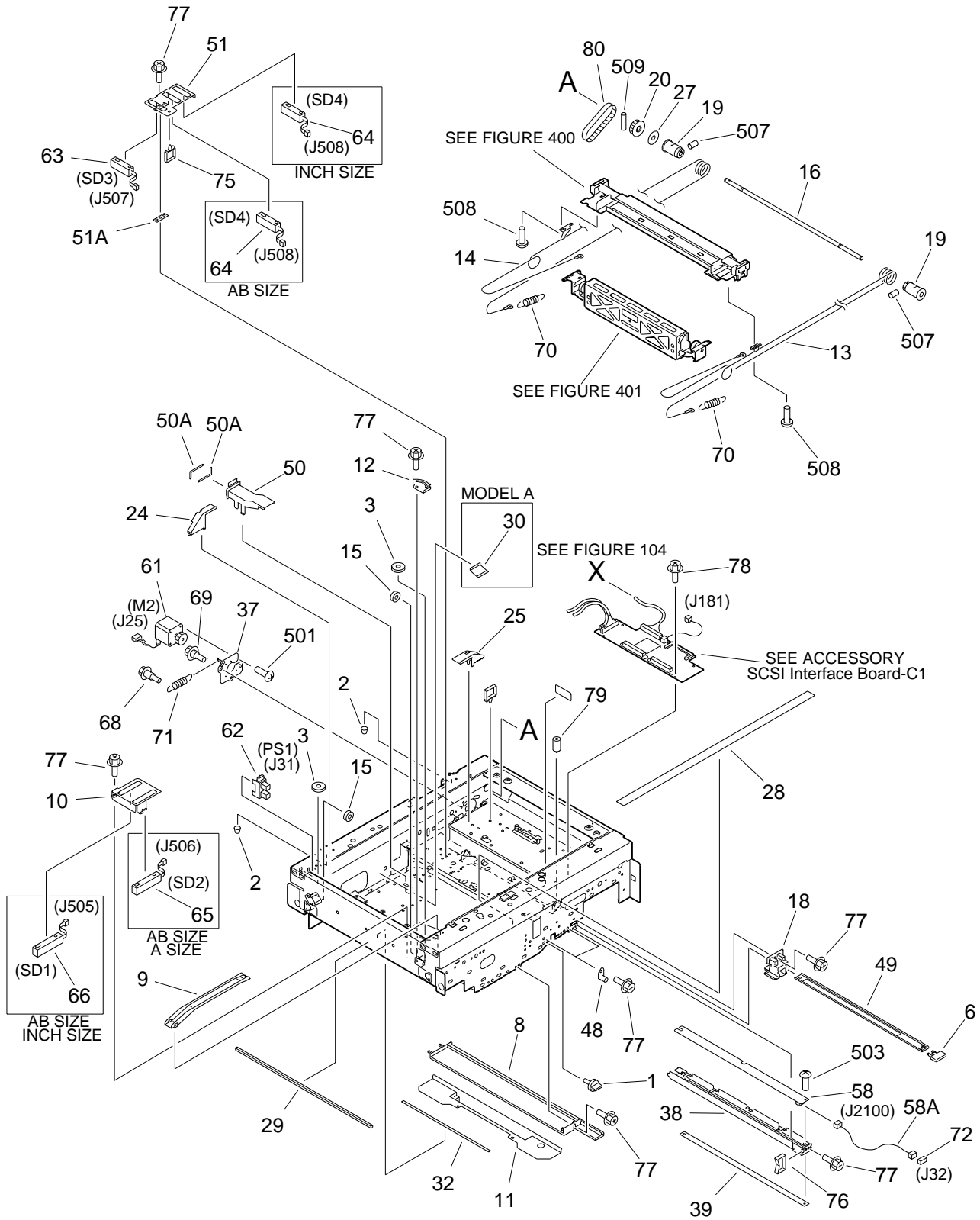


FIGURE 210 LENS MOUNT ASSEMBLY(2/2)

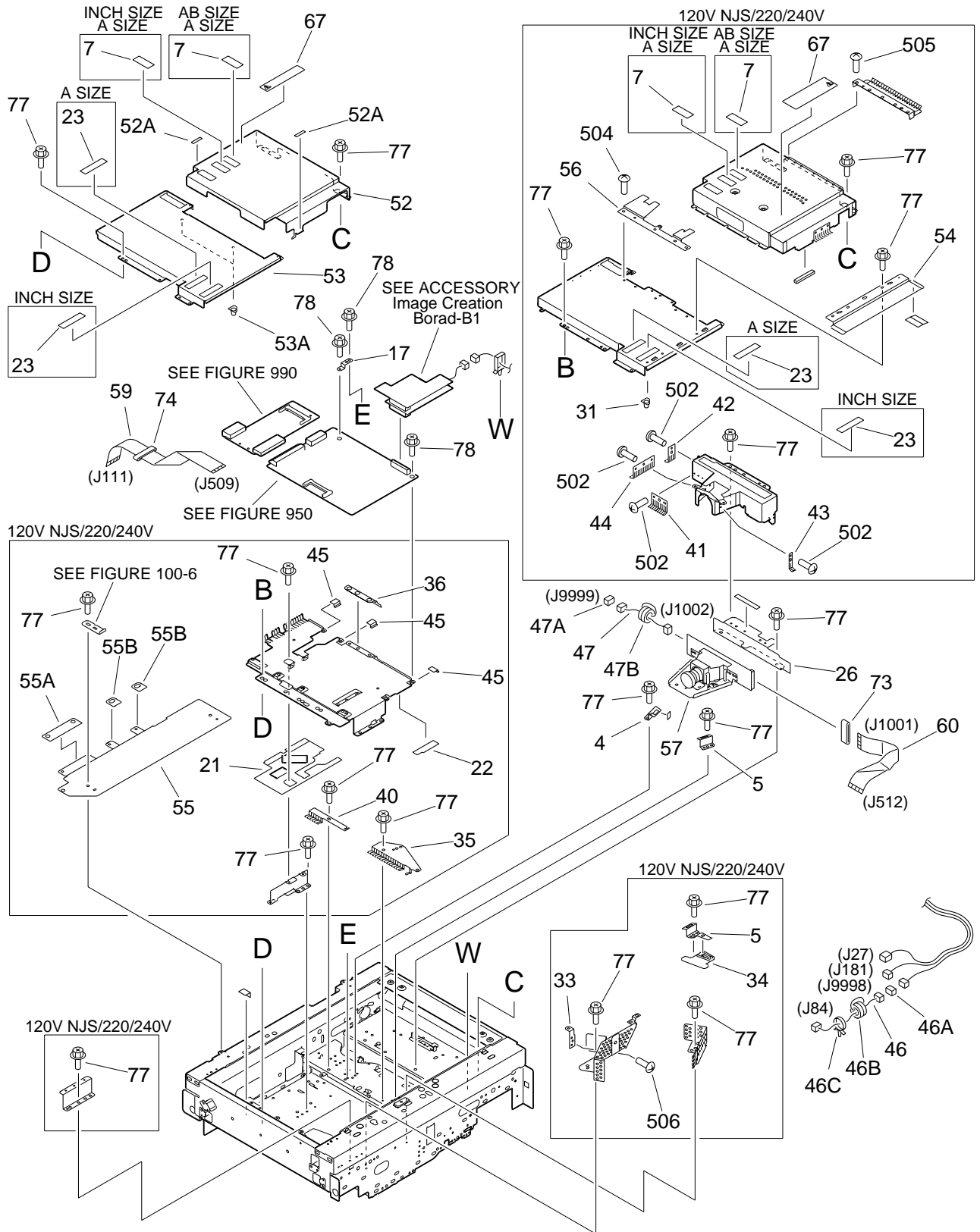


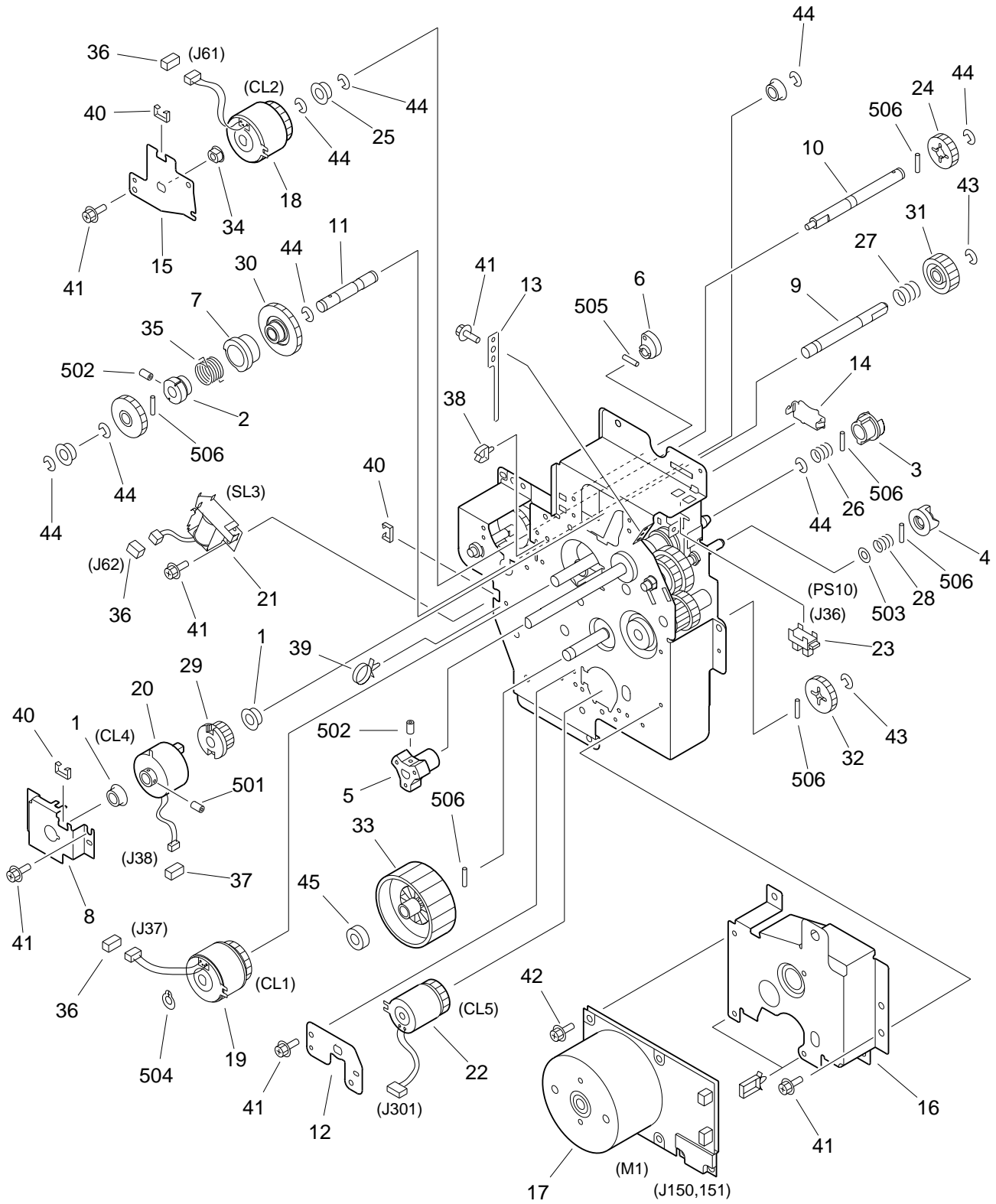
FIGURE & KEY NO.	PART NUMBER	RANK	QTY	DESCRIPTION	SERIAL NUMBER / REMARKS
210 -	NPN		RF	LENS MOUNT ASSEMBLY	
1	FA6 - 5618 - 000		1	KNOB, CARTRIDGE	
2	FA9 - 1800 - 000		2	CUP	
3	FB1 - 7109 - 000		2	PULLEY	
4	FB1 - 7116 - 000		1	PLATE, LENS HOLDER	MODEL B 120V NJS
					MODEL B 220/240V
	FF9 - 1713 - 000		1	PLATE, LENS HOLDER	MODEL B 100V 120V EXCEPT NJS
5	FB1 - 7116 - 000		1	PLATE, LENS HOLDER	MODEL A 100/120V
	FF9 - 1713 - 000		1	PLATE, LENS HOLDER	MODEL B 100V 120V EXCEPT NJS
	FB3 - 2392 - 000		1	PLATE, LENS HOLDER	MODEL B 120V NJS MODEL A/B 220/240V
6	FB1 - 7211 - 000		1		
7	FB1 - 7848 - 000		1	SHEET, BLANKING	AB SIZE INCH SIZE
	FB1 - 7848 - 000		2	SHEET, BLANKING	A SIZE
8	FB3 - 2203 - 000		1	RAIL, CASSETTE, LEFT	
9	FB3 - 2228 - 000		1	GUIDE, ELECT. SUPPLY CABLE	100/120V
10	FB3 - 2230 - 000		1	HOLDER, SIZE SENSOR, 2	
11	FB3 - 2231 - 000		1	PLATE, LIGHT-BLOCKING	100/120V EXCEPT NJS
	FF5 - 4615 - 000		1	PLATE, LIGHT-BLOCKING	120V NJS/220/240V
12	FB3 - 2232 - 000		1	HOOK, WIRE, FRONT	
13	FB3 - 2234 - 000		1	WIRE, SCANNER, FRONT	
14	FB3 - 2235 - 020		1	WIRE, SCANNER, REAR	
15	FB3 - 2237 - 000		2	PULLEY, END	
16	FB3 - 2239 - 000		1	SHAFT, DRIVE	
17	FB3 - 2243 - 000		1	PLATE, PCB SUPPORT	100/120V EXCEPT NJS
	FB3 - 2397 - 000		1	PLATE, PCB SUPPORT	120V NJS/220/240V
18	FB3 - 2245 - 000		1	BLOCK, GUIDE, FRONT	
19	FB3 - 2265 - 000		2	PULLEY, DRIVE, 1	
20	FB3 - 2266 - 020		1	PULLEY, DRIVE, 2	
21	FB3 - 2293 - 000		1	SHEET, PROTECTIVE, REAR	120V NJS/220/240V
22	FB3 - 2294 - 000		1	SHEET, PROTECTIVE, FRONT	120V NJS/220/240V

FIGURE & KEY NO.	PART NUMBER	RANK	QTY	DESCRIPTION	SERIAL NUMBER / REMARKS
210 - 23	FB3 - 2315 - 000		1	SHEET, BLANKING	A SIZE INCH SIZE
24	FB3 - 2323 - 000		1	GUIDE, CABLE, 1	
25	FB3 - 2324 - 000		1	GUIDE, CABLE, 2	
26	FB3 - 2332 - 020		1	PLATE, PARTITION	100/120V EXCEPT NJS
	FB3 - 2396 - 000		1	PLATE, PARTITION	120V NJS/220/240V
27	FB3 - 2333 - 000		1	SPACER, GEAR	
28	FB3 - 2336 - 000		2	PLATE, RAIL	
29	FB3 - 2339 - 000		1	SHEET, RUBBER, 1	
30	FB3 - 2348 - 000		1	SHEET, DC CONT. PCB PROTECTIVE	MODEL A ONLY
31	FB3 - 2351 - 000		9	CAP, DUST-PROOF	120V NJS/220/240V
32	FB3 - 2353 - 000	N	1	SHEET, FIXING RAIL	
33	FB3 - 2386 - 000		1	PLATE, HOLDER	120V NJS/220/240V
34	FB3 - 2393 - 000		1	COVER, CABLE	120V NJS/220/240V
35	FB3 - 2394 - 000		1	PLATE, GROUNDING, RIGHT, FRONT	120V NJS/220/240V
36	FB3 - 2399 - 000		1	SHEET, PROTECTIVE, MIDDLE	120V NJS/220/240V
37	FB3 - 2440 - 000		1	MOUNT, MOTOR	
38	FB3 - 2764 - 000		1	MOUNT, LED LAMP UNIT	
39	FB3 - 2765 - 000		1	FILTER, PRECONDITION. EXPOSURE	
40	FB3 - 9414 - 000		1	PLATE, GROUNDING, RIGHT, REAR	120V NJS/220/240V
41	FB3 - 9418 - 000		1	PLATE, GROUNDING, 1	120V NJS/220/240V
42	FB3 - 9419 - 000		1	PLATE, GROUNDING, 2	120V NJS/220/240V
43	FB3 - 9420 - 000		1	PLATE, GROUNDING, 3	120V NJS/220/240V
44	FB3 - 9426 - 000		1	PLATE, GROUNDING, 4	120V NJS/220/240V
45	FB3 - 9638 - 000		3	SHEET, PROTECTIVE, LOWER	120V NJS/220/240V
46	FF3 - 1605 - 000		1	CABLE, CONNECTING, 1	J84,9998
46 A	VS1 - 5057 - 004		1	CONNECTOR, SNAP TIGHT	J9998
46 B	WE8 - 5113 - 000		1	CORE	
46 C	WT2 - 5169 - 000		1	CLAMP, CABLE	
47	FF3 - 1606 - 000		1	CABLE, CONNECTING, 2	
47 A	VS1 - 5057 - 003		1	CONNECTOR, SNAP TIGHT	J1002,9999

FIGURE & KEY NO.	PART NUMBER	RANK	QTY	DESCRIPTION	SERIAL NUMBER / REMARKS
210 - 47 B	WE8 - 5113 - 000		1	CORE	
48	FF5 - 1128 - 000		2	PIN, POSITIONING	
49	FF5 - 1203 - 000		1	PLATE, DUST-PROOF GLASS, 2	
50	FF5 - 4541 - 000		1	DUCT, COOLING FAN, 2	
50 A	FB3 - 2771 - 000		2	SEAL, DUCT, 2	
51	FF5 - 4588 - 000		1	HOLDER, SIZE SENSOR, 1	
51 A	FB3 - 2345 - 000	N	1	SHEET, DAMPER	
52	FF5 - 4589 - 000		1	COVER, ELECTRICAL, 2	100/120V EXCEPT NJS
52 A	FB3 - 2344 - 000		2	SHEET, DAMPER	100/120V EXCEPT NJS
53	FF5 - 4591 - 000		1	COVER, ELECTRICAL, 1	100/120V EXCEPT NJS
53 A	FB3 - 2351 - 000		2	CAP, DUST-PROOF	100/120V EXCEPT NJS
54	FF5 - 4620 - 000		1	PLATE, COVER GROUNDING, FRONT	120V NJS/220/240V
55	FF5 - 4621 - 000		1	PLATE, REAR UPPER COVER SHIELD	120V NJS/220/240V
55 A	FB3 - 2295 - 000		1	SHEET, PROTECTIVE, LARGE	120V NJS/220/240V
55 B	FB3 - 9460 - 000		2	SHEET, PROTECTIVE, SMALL	120V NJS/220/240V
56	FF5 - 6199 - 000		1	PLATE, IP/CCD GROUNDING	120V NJS/220/240V
57	FG5 - 6169 - 000		1	CCD UNIT	100/120V EXCEPT NJS
	FG5 - 8294 - 000		1	CCD UNIT	120V NJS/220/240V
58	FG5 - 6297 - 000		1	PRECONDITIONING LAMP PCB UNIT	J2100
58 A	FF3 - 1166 - 000		1	CABLE, LAMP EXPOSURE	J32,2100
59	FH2 - 6310 - 000		1	CABLE, FLAT, 1	100/120V EXCEPT NJS J111,509
	FF3 - 2343 - 000		1	CABLE, FLAT, 1	120V NJS/220/240V J111,509
60	FH2 - 6400 - 000		1	CABLE, FLAT, 2	100/120V EXCEPT NJS J512,1001
	FH2 - 6402 - 000		1	CABLE, FLAT, 2	120V NJS/220/240V J512,1001
61	FH6 - 1246 - 000		1	MOTOR, STEPPING	M2 J25
62	FH7 - 7312 - 000		1	PHOTO-INTERRUPTER	PS1 J31
63	FH7 - 7386 - 000		1	SENSOR, DOCUMENT, 1	DS3 J507
64	FH7 - 7386 - 000		1	SENSOR, DOCUMENT, 1	AB SIZE DS4 J508 INCH SIZE DS4 J508
65	FH7 - 7388 - 000		1	SENSOR, DOCUMENT, 2	AB SIZE DS2 J506 A SIZE DS2 J506
66	FH7 - 7388 - 000		1	SENSOR, DOCUMENT, 2	AB SIZE DS1 J505 INCH SIZE DS1 J505

FIGURE & KEY NO.	PART NUMBER	R A N K	Q' T Y	DESCRIPTION	SERIAL NUMBER / REMARKS
210 - 67	FS5 - 8622 - 000		1	LABEL, "WARNING LASER"	MODEL A 100/120V
	FS5 - 8623 - 000		1	LABEL, "WARNING LASER"	MODEL A 220/240V
	FS6 - 8577 - 000		1	LABEL, "WARNING LASER"	MODEL B 100/120V
	FS6 - 8579 - 000		1	LABEL, "WARNING LASER"	MODEL B 220/240V
68	FS5 - 9210 - 000		1	SCREW, STEPPED, M4	
69	FS5 - 9216 - 000		2	SCREW, RS STEPPED, M4	
70	FS6 - 2323 - 000		2	SPRING, TENSION	
71	FS6 - 2324 - 000		1	SPRING, TENSION	
72	VS1 - 5057 - 002		1	CONNECTOR, SNAP TIGHT	J32
73	WE8 - 5021 - 000		1	CORE, FERRITE	
74	WE8 - 5021 - 000		1	CORE, FERRITE	120V EXCEPT NJS
75	WT2 - 5496 - 000		1	CLAMP, CABLE	
76	WT2 - 5498 - 000		1	CLIP, CABLE	
77	XA9 - 0629 - 000		AR	SCREW, RS, M4X8	
78	XA9 - 0633 - 000		AR	SCREW, RS, M4X8	
79	XA9 - 0859 - 000		1	SETSCREW, M3X10	
80	XF9 - 0567 - 000		1	BELT, TIMING	
501	XB1 - 1300 - 609		4	SCREW, MACH., PAN HEAD, M3X6	
502	XB1 - 2300 - 407		8	SCREW, MACH., TRUSS HEAD, M3X4	120V NJS/220/240V
503	XB1 - 2300 - 609		1	SCREW, MACH., TRUSS HEAD, M3X6	
504	XB1 - 2400 - 406		20	SCREW, MACH., TRUSS HEAD, M4X4	120V NJS/220/240V
505	XB1 - 2400 - 407		5	SCREW, MACH., TRUSS HEAD, M4X4	120V NJS/220/240V
506	XB1 - 2400 - 607		1	SCREW, MACH., TRUSS HEAD, M4X6	120V NJS/220/240V
507	XB6 - 1300 - 608		4	SETSCREW, M3X6	
508	XB6 - 7300 - 609		3	SCREW, TP, M3X6	
509	XD3 - 2300 - 122		1	PIN, DOWEL	

FIGURE 250 MAIN DRIVE ASSEMBLY



NOTE: This assembly does not include the parts shown with key No. 19, 36, 37 and 504.

FIGURE & KEY NO.	PART NUMBER	R A N K	Q' T Y	DESCRIPTION	SERIAL NUMBER / REMARKS
250 -	FG5 - 6192 - 040		1	MAIN DRIVE ASSEMBLY	
1	FA9 - 2112 - 000		2	BUSHING	
2	FB1 - 0138 - 000		1	DRUM, CLUTCH DRIVE, 1	
3	FB1 - 6761 - 000		1	COUPLING, DRUM	
4	FB1 - 6762 - 000		1	COUPLING, CLEANING	
5	FB1 - 6767 - 000		1	MOUNT, FLYWHEEL	
6	FB1 - 8014 - 000		1	CAM, PLATE	
7	FB2 - 4480 - 000		1	RING, RACHET CONTROL	
8	FB3 - 2562 - 000		1	PLATE, DRUM CLUTCH	
9	FB3 - 2567 - 000		1	SHAFT, DEVELOPING DRIVE	
10	FB3 - 2569 - 000		1	SHAFT, CLUTCH	
11	FB3 - 2570 - 000		1	SHAFT, ONE-WAY	
12	FB3 - 2573 - 000		1	PLATE, CLUTCH	
13	FB3 - 2575 - 000		1	PLATE, GROUNDING	
14	FB3 - 2576 - 000		1	SUPPORT, SLEEVE	
15	FB3 - 2636 - 000		1	PLATE, CLUTCH	
16	FB3 - 2640 - 000		1	MOUNT, MOTOR	
17	FH6 - 1245 - 000		1	MOTOR, DC 24V	M1 J150,151
18	FH7 - 5494 - 000		1	CLUTCH, ELECTROMAGNETIC	CL2 J61
19	FH7 - 5635 - 000		1	CLUTCH, ELECTROMAGNETIC	SEE NOTE CL1 J37
20	FH7 - 5637 - 000		1	CLUTCH, ELECTROMAGNETIC	CL4 J38
21	FH7 - 5678 - 000		1	SOLENOID	SL3 J62
22	FH7 - 5680 - 000		1	CLUTCH, ELECTROMAGNETIC	CL5 J301
23	FH7 - 7312 - 000		1	PHOTO-INTERRUPTER	PS10 J36
24	FS1 - 0542 - 000		1	GEAR, 22T	
25	FS1 - 1202 - 000		1	BUSHING	
26	FS5 - 2310 - 000		1	SPRING, COMPRESSION	
27	FS5 - 2312 - 000		1	SPRING, COMPRESSION	
28	FS5 - 2400 - 000		1	SPRING, COMPRESSION	
29	FS5 - 3456 - 000		1	PULLEY, DEV. CLUTCH, 32T	

FIGURE & KEY NO.	PART NUMBER	R A N K	Q' T Y	DESCRIPTION	SERIAL NUMBER / REMARKS
250 - 30	FS6 - 0535 - 000		1	GEAR, 36T	
31	FS6 - 0536 - 000		1	GEAR, 27T	
32	FS6 - 0538 - 000		1	GEAR, 24T	
33	FS6 - 0586 - 000		1	GEAR, 86T	
34	RS1 - 1029 - 000		2	BUSHING	
35	RS1 - 2111 - 000		1	SPRING, CLUTCH	
36	VS1 - 5057 - 002		3	CONNECTOR, SNAP TIGHT	SEE NOTE J37,61,62
37	VS1 - 5057 - 003		1	CONNECTOR, SNAP TIGHT	SEE NOTE J38
38	WT2 - 0434 - 010		4	CLIP, CABLE	
39	WT2 - 5178 - 000		1	CLIP, CABLE	
40	WT2 - 5498 - 000		3	CLIP, CABLE	
41	XA9 - 0626 - 000		14	SCREW,RS,M3X6	
42	XA9 - 0643 - 000		4	SCREW,RS,M4X10	
43	XD9 - 0131 - 000		6	RING,E	
44	XD9 - 0137 - 000		18	RING,E	
45	XG9 - 0250 - 000		1	BEARING, BALL	
501	XB6 - 2300 - 609		2	SETSCREW,M3X6	
502	XB6 - 2400 - 609		3	SETSCREW,M4X6	
503	XD1 - 1106 - 234		1	SHIM	
504	XD2 - 2100 - 802		1	RING,GRIP	SEE NOTE
505	XD3 - 1200 - 102		1	PIN,SPRING	
506	XD3 - 2200 - 142		11	PIN,DOWEL	

FIGURE 280 FIXING DRIVE ASSEMBLY

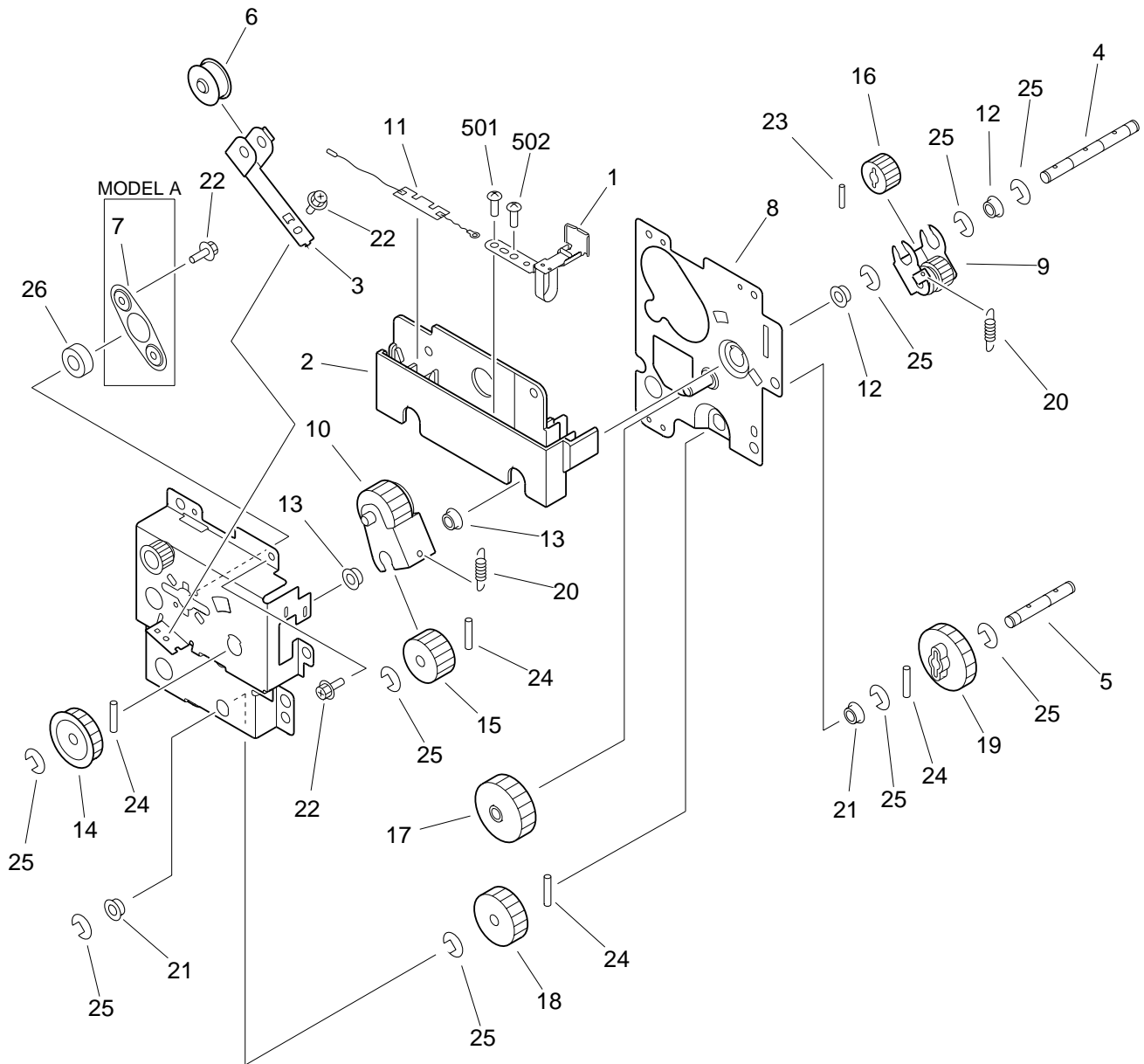


FIGURE & KEY NO.	PART NUMBER	RANK	QTY	DESCRIPTION	SERIAL NUMBER / REMARKS
280 -	FG9 - 3598 - 090		1	FIXING DRIVE ASSEMBLY	MODEL A
	FG6 - 1137 - 060		1	FIXING DRIVE ASSEMBLY	MODEL B
	1 FB3 - 2262 - 000		1	PLATE, BIAS CONNECTING	
2	FB3 - 2263 - 000		1	COVER, BIAS CONNECTING	
3	FB3 - 2584 - 000		1	SPRING, LEAF	
4	FB3 - 2586 - 000		1	SHAFT, FIXING DRIVE, 1	MODEL A
	FB4 - 5351 - 000		1	SHAFT, FIXING DRIVE, 1	MODEL B
5	FB3 - 2587 - 000		1	SHAFT, FIXING DRIVE, 2	
6	FB3 - 2588 - 000		1	ROLLER, TENSIONER	
7	FB3 - 2589 - 000		1	PLATE, BEARING SUPPORT	MODEL A
8	FF5 - 4496 - 020		1	PLATE, DRIVE, LOWER	
9	FF9 - 1568 - 000		1	PLATE, SWING, 2	MODEL A
	FF5 - 7236 - 000		1	PLATE, SWING, 2	MODEL B
10	FF9 - 1570 - 000		1	PLATE, SWING, 1	
11	FG5 - 7105 - 000		1	FIXING BIAS CONNECT PCB UNIT	
12	FS1 - 1206 - 000		2	BUSHING	
13	FS5 - 1586 - 000		2	BUSHING	
14	FS5 - 3452 - 000		1	PULLEY, 30T	
15	FS6 - 0540 - 020		1	GEAR, 30T	
16	FS6 - 0541 - 000		1	GEAR, 20T	
17	FS6 - 0544 - 000		1	GEAR, 28T	
18	FS6 - 0545 - 000		1	GEAR, 24T	
19	FS6 - 0546 - 000		1	GEAR, 32T	
20	FS6 - 2299 - 000		2	SPRING, TENSION	
21	RS1 - 1042 - 000		2	BUSHING	
22	XA9 - 0626 - 000		5	SCREW,RS,M3X6	
23	XD9 - 0103 - 000		1	PIN,DOWEL	
24	XD9 - 0108 - 000		4	PIN,DOWEL	
25	XD9 - 0131 - 000		9	RING,E	
26	XG9 - 0250 - 000		1	BEARING, BALL	MODEL A

FIGURE & KEY NO.	PART NUMBER	R A N K	Q' T Y	DESCRIPTION	SERIAL NUMBER / REMARKS
280 - 26	XG9 - 0208 - 000		1	BEARING, BALL	MODEL B
501	XB1 - 2300 - 509		1	SCREW,MACH.,TRUSS HEAD,M3X5	
502	XB2 - 7300 - 606		1	SCREW,W/WASHER,M3X6	

FIGURE 300 CASSETTE

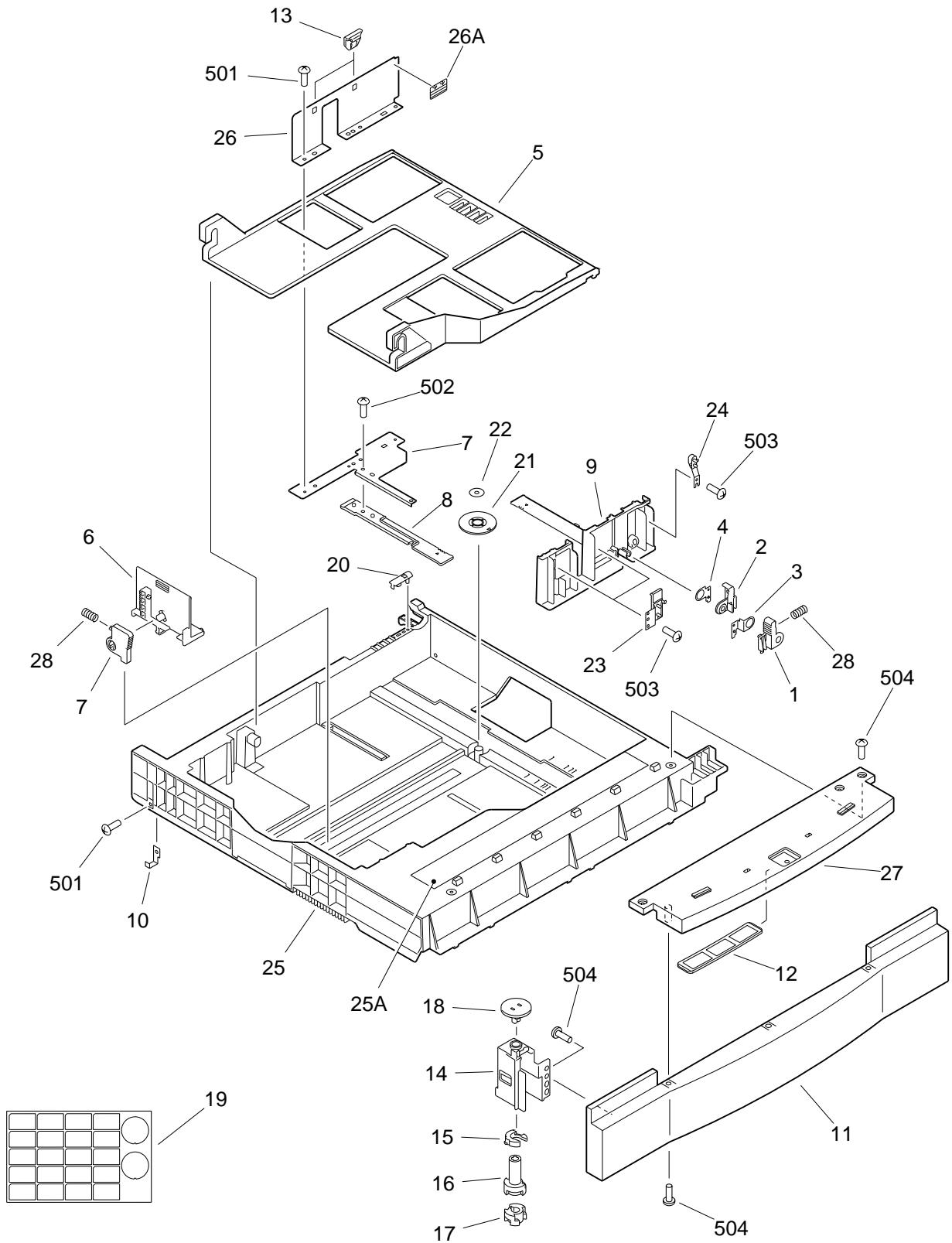
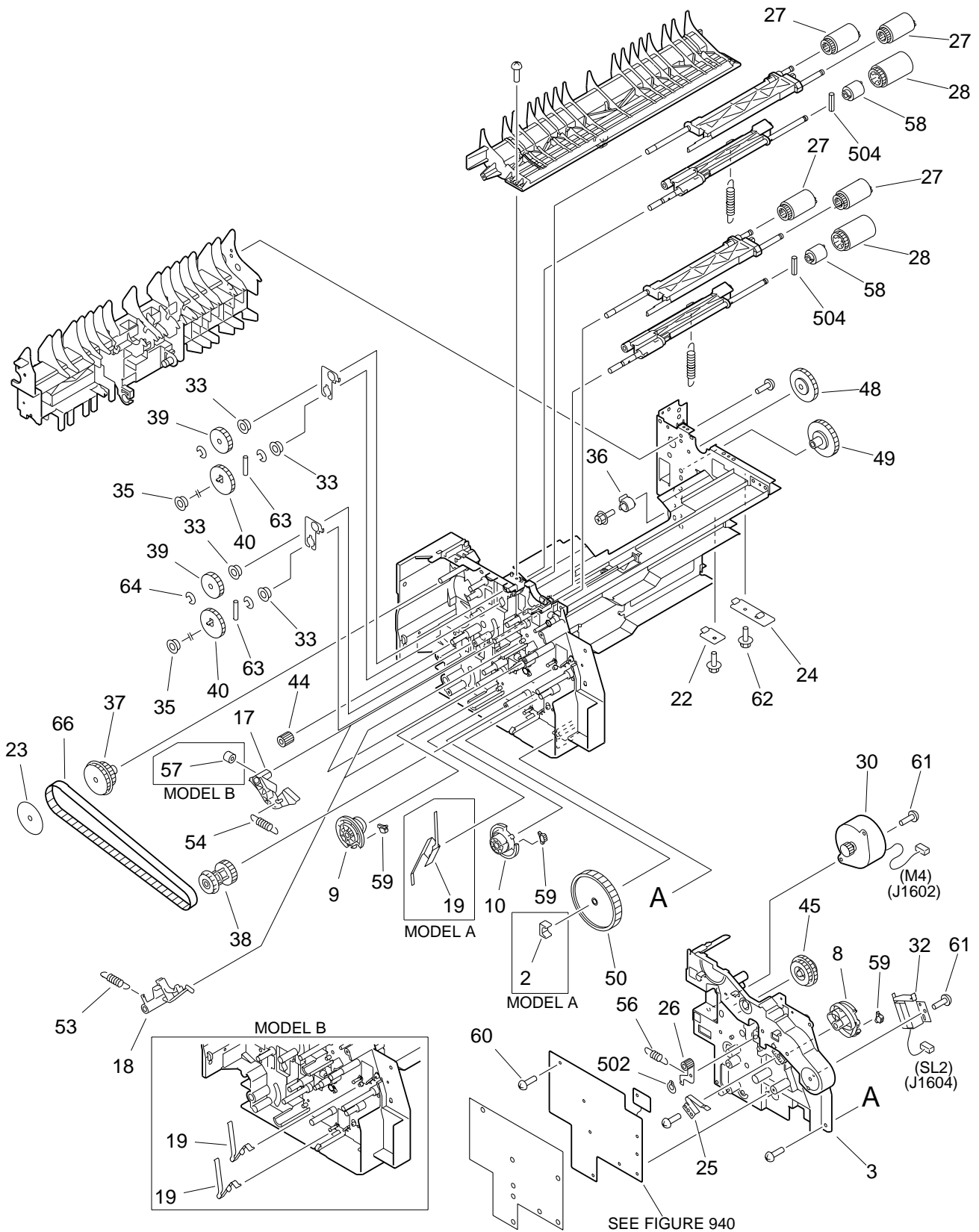


FIGURE & KEY NO.	PART NUMBER	RANK	QTY	DESCRIPTION	SERIAL NUMBER / REMARKS
300 -	NPN		RF	CASSETTE	
1	FA9 - 3311 - 000		1	BLOCK, STOP, 1	
2	FA9 - 3312 - 000		1	BLOCK, STOP, 2	
3	FA9 - 3313 - 000		1	PLATE, STOP, 1	
4	FA9 - 3314 - 000		1	PLATE, STOP, 2	
5	FB3 - 2922 - 000		1	PLATE, PAPER LIFTING	
6	FB3 - 2923 - 020		1	PLATE, PAPER SIZE END	
7	FB3 - 2926 - 000		1	PLATE, SIDE END	
8	FB3 - 2927 - 000		1	RACK, MANUAL	
9	FB3 - 2928 - 000		1	PLATE, SIZE END, FRONT	
10	FB3 - 2930 - 000		2	PLATE, STOP	
11	FB3 - 2931 - 000		1	COVER, CASSETTE	
12	FB3 - 2933 - 000		1	PLATE, SIZE	
13	FB3 - 2934 - 000		2	CLAW, SIDE	
14	FB3 - 2940 - 000		1	HINGE, CAM	
15	FB3 - 2941 - 000		1	CAM, SIZE SENSOR, 1	
16	FB3 - 2942 - 000		1	CAM, SIZE SENSOR, 2	
17	FB3 - 2943 - 000		1	CAM, SIZE SENSOR, 3	
18	FB3 - 2944 - 000		1	KNOB, CASSETTE SIZE SENSOR	
19	FB3 - 2952 - 000		1	LABEL, "CASSETTE SIZE"	
20	FB3 - 2953 - 000		1	BLOCK, SLIDER	
21	FB3 - 2955 - 000		1	GEAR, 20T	
22	FB3 - 2956 - 000		1	RING, GEAR STOP	
23	FF5 - 4491 - 000		2	BLOCK, SIDE, 2	
24	FF5 - 4548 - 030		1	BLOCK, SIDE, 1	
25	FF5 - 4567 - 000		1	BODY, CASSETTE	LARGE SIZE
	FF5 - 4568 - 000		1	BODY, CASSETTE	MIDDLE SIZE
25 A	FB3 - 2951 - 000		1	LABEL, "PAPER SUPPLY"	
26	FF5 - 4569 - 020		1	PLATE, SIDE END, REAR	
26 A	FS6 - 8116 - 000		1	LABEL, "PAPER HEIGHT"	

FIGURE & KEY NO.	PART NUMBER	R A N K	Q' T Y	DESCRIPTION	SERIAL NUMBER / REMARKS
300 - 27	FF5 - 7901 - 000		1	LATCH, CASSETTE	
	28		1	SPRING, COMPRESSION	
	5 0 1		5	SCREW,MACH.,TRUSS HEAD,M3X4	
	5 0 2		2	SCREW,MACH.,TRUSS HEAD,M3X6	
5 0 3	XB4 - 7300 - 609		3	SCREW,TAPPING,TRUSS HEAD,M3X6	
5 0 4	XB4 - 7401 - 209		6	SCREW,TAPPING,TRUSS HEAD,M4X12	

FIGURE 310 PAPER PICK-UP ASSEMBLY(1/2)



NOTE: This assembly includes the assembly shown in Figure 940.

FIGURE 310 PAPER PICK-UP ASSEMBLY(2/2)

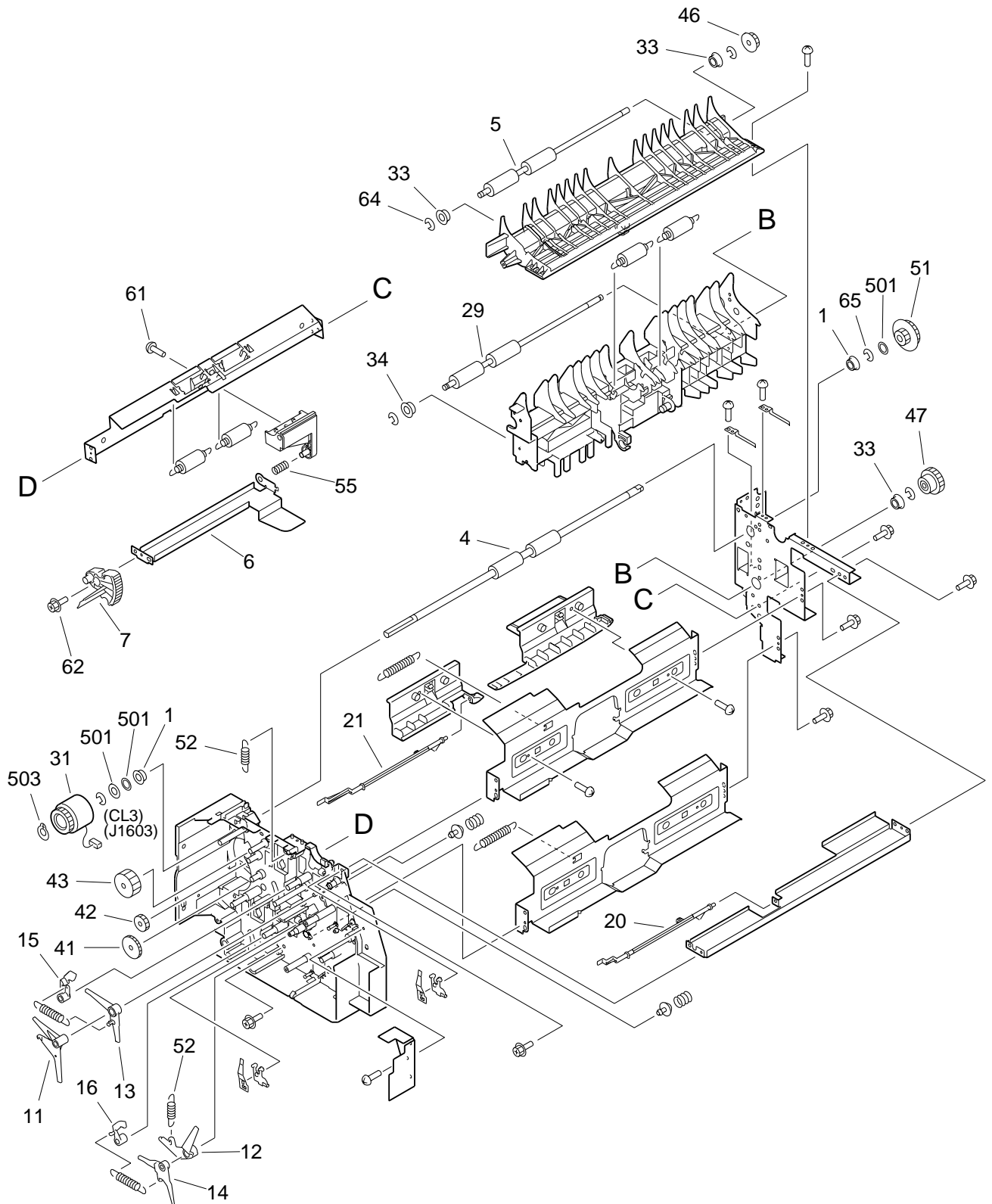
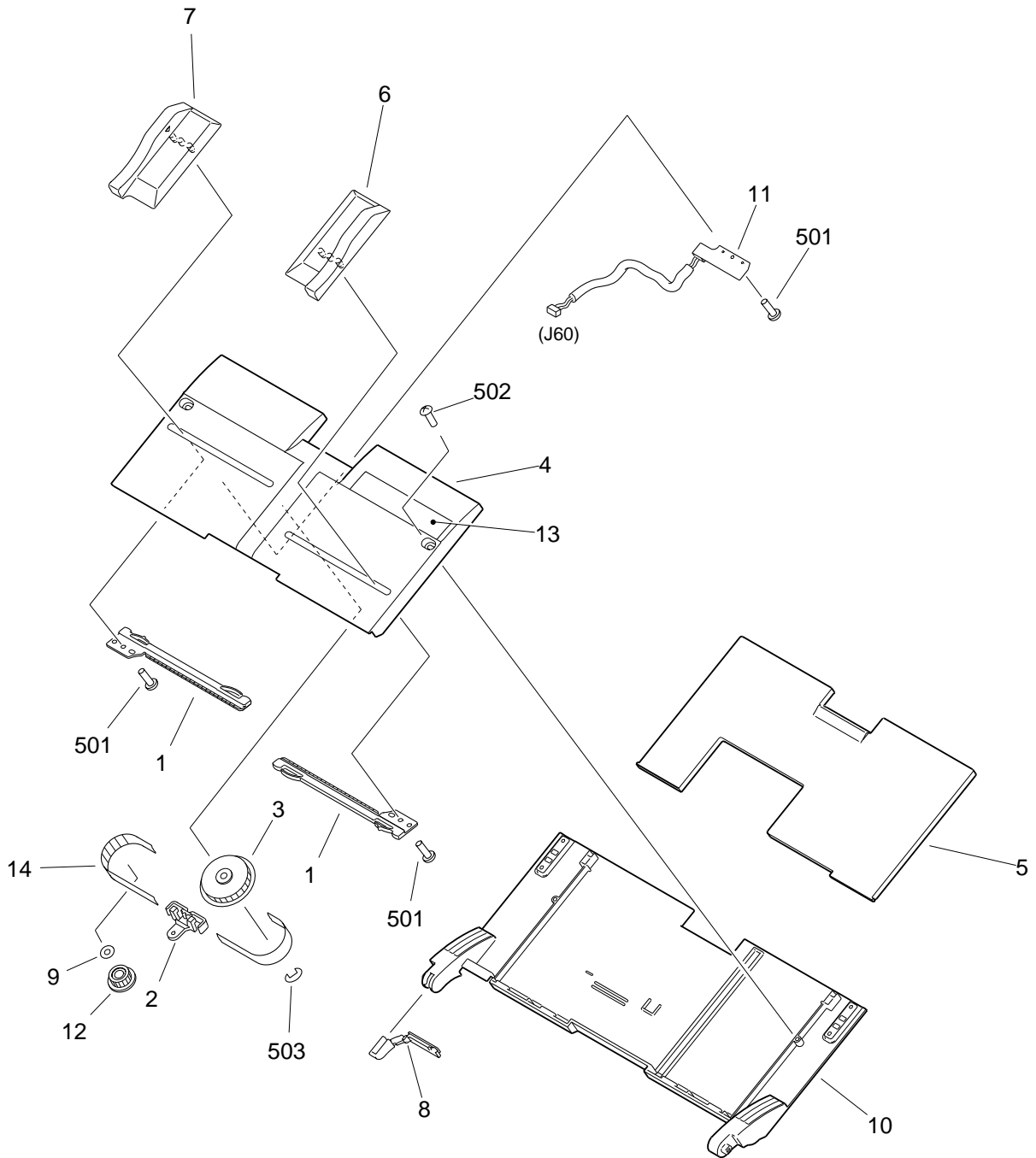


FIGURE & KEY NO.	PART NUMBER	RANK	QTY	DESCRIPTION	SERIAL NUMBER / REMARKS
310 -	FG5 - 6237 - 130		1	PAPER PICK-UP ASSEMBLY	SEE NOTE MODEL A
	FG6 - 1139 - 000		1	PAPER PICK-UP ASSEMBLY	SEE NOTE MODEL B
	1 FA9 - 2112 - 000		2	BUSHING	
2	FB3 - 2296 - 000		1	BLOCK, LIFTER SPRING SUPPORT	MODEL A
3	FB3 - 2844 - 000		1	COVER, FRAME	
4	FB3 - 2849 - 000		1	ROLLER, VERTICAL PATH	
5	FB3 - 2850 - 000		1	ROLLER, PAPER FEED, UPPER	
6	FB3 - 2855 - 000		2	PLATE, PAPER SUPPORT	
7	FB3 - 2856 - 000		2	GEAR, RATCHET	
8	FB3 - 2858 - 000		1	CAM, PAPER PICK-UP ROLLER	
9	FB3 - 2859 - 000		1	CAM, LIFT UP, UPPER	MODEL A
	FB4 - 5347 - 000		1	CAM, LIFT UP, UPPER	MODEL B
10	FB3 - 2860 - 000		1	CAM, LIFT UP, LOWER	MODEL A
	FB4 - 5348 - 000		1	CAM, LIFT UP, LOWER	MODEL B
11	FB3 - 2861 - 000		1	ARM, LIFTER, UPPER	MODEL A
12	FB4 - 5364 - 000		1	ARM, LIFTER, UPPER	MODEL B
	FB3 - 2862 - 000		1	ARM, LIFTER, LOWER	MODEL A
	FB4 - 5365 - 000		1	ARM, LIFTER, LOWER	MODEL B
13	FB3 - 2863 - 000		1	LEVER, LIFTER, UPPER	
14	FB3 - 2864 - 000		1	LEVER, LIFTER, LOWER	
15	FB3 - 2865 - 030		1	LEVER, LOCK, UPPER	MODEL A
	FB4 - 5366 - 000		1	LEVER, PICK LOCK, UPPER	MODEL B
16	FB3 - 2866 - 030		1	LEVER, LOCK, LOWER	MODEL A
	FB4 - 5367 - 000		1	LEVER, PICK LOCK, LOWER	MODEL B
17	FB3 - 2867 - 030		2	CLAW, LIFTER ARM	MODEL A
18	FB4 - 5350 - 000		2	CLAW, LIFTER ARM	MODEL B
	FB3 - 2868 - 020		2	CLAW, LIFTER LOCK	
19	FB3 - 2871 - 000		1	SPRING, LEAF	MODEL A
	FB4 - 5349 - 000		2	SPRING, LEAF	MODEL B
20	FB3 - 2880 - 000		1	FLAG, PAPER SENSOR, UPPER	

FIGURE & KEY NO.	PART NUMBER	R A N K	Q' T Y	DESCRIPTION	SERIAL NUMBER / REMARKS
310 - 21	FB3 - 2881 - 000		1	FLAG, PAPER SENSOR, LOWER	
22	FB3 - 2894 - 020		1	GUIDE, LOWER CASSETTE	
23	FB3 - 2896 - 000		1	PLATE, BELT SUPPORT	
24	FB3 - 2897 - 020		1	GUIDE, UPPER CASSETTE	
25	FB3 - 2898 - 020		1	SPRING, LEAF	
26	FF5 - 4524 - 020		1	PLATE, TENSION	
27	FF5 - 4552 - 020		4	ROLLER, PAPER PICK-UP	
28	FF5 - 4634 - 020		2	ROLLER, PAPER SEPARATION	
29	FF9 - 1614 - 000		1	ROLLER, PAPER FEED, LOWER	
30	FH6 - 1248 - 000		1	MOTOR, STEPPING	M4 J1602
31	FH7 - 5636 - 000		1	CLUTCH, ELECTROMAGNETIC	CL3 J1603
32	FH7 - 5639 - 000		1	SOLENOID	SL2 J1604
33	FS1 - 1512 - 000		4	BUSHING	
34	FS5 - 1164 - 000		2	BUSHING	
35	FS5 - 1219 - 000		2	BUSHING	
36	FS5 - 1589 - 000		1	BUSHING	
37	FS5 - 3453 - 000		1	PULLEY, 28T/60T	
38	FS5 - 3454 - 000		1	PULLEY, 32T/40T	
39	FS6 - 0564 - 000		2	GEAR, 35T	
40	FS6 - 0565 - 000		2	GEAR, 42T	
41	FS6 - 0566 - 000		1	GEAR, 35T	
42	FS6 - 0567 - 000		1	GEAR, 24T	
43	FS6 - 0568 - 000		1	GEAR, 35T	
44	FS6 - 0569 - 000		1	GEAR, 14T	
45	FS6 - 0570 - 000		1	GEAR, 35T/44T	
46	FS6 - 0572 - 000		1	GEAR, 16T	
47	FS6 - 0573 - 000		1	GEAR, 28T	
48	FS6 - 0574 - 000		1	GEAR, 38T	
49	FS6 - 0575 - 000		1	GEAR, 42T	
50	FS6 - 0576 - 000		1	GEAR, 86T	

FIGURE & KEY NO.	PART NUMBER	RANK	QTY	DESCRIPTION	SERIAL NUMBER / REMARKS
310 - 51	FS6 - 0577 - 000		1	GEAR, 16T/18T	
52	FS6 - 2325 - 000		2	SPRING, TENSION	
53	FS6 - 2328 - 020		2	SPRING, TENSION	
54	FS6 - 2329 - 000		2	SPRING, TENSION	MODEL A
	FS6 - 2900 - 000		2	SPRING, TENSION	MODEL B
55	FS6 - 2330 - 000		2	SPRING, COMPRESSION	
56	FS6 - 2331 - 000		1	SPRING, TENSION	
57	RB1 - 6539 - 000		2	DAMPER	MODEL B
58	RB1 - 6588 - 000		2	LIMITER, TORQUE	
59	RB1 - 6592 - 000		3	GEAR, 3T	
60	XA9 - 0591 - 000		2	SCREW, M3X8	
61	XA9 - 0591 - 000		15	SCREW, M3X8	
62	XA9 - 0724 - 000		16	SCREW, RS, M3X8	
63	XD9 - 0104 - 000		2	PIN, DOWEL	
64	XD9 - 0131 - 000		6	RING, E	
65	XD9 - 0137 - 000		2	RING, E	
66	XF9 - 0568 - 000		1	BELT, TIMING	
501	XD1 - 1108 - 215		1	SHIM	
502	XD2 - 2100 - 402		1	RING, GRIP	
503	XD2 - 2100 - 802		1	RING, GRIP	
504	XD3 - 1200 - 122		4	PIN, SPRING	

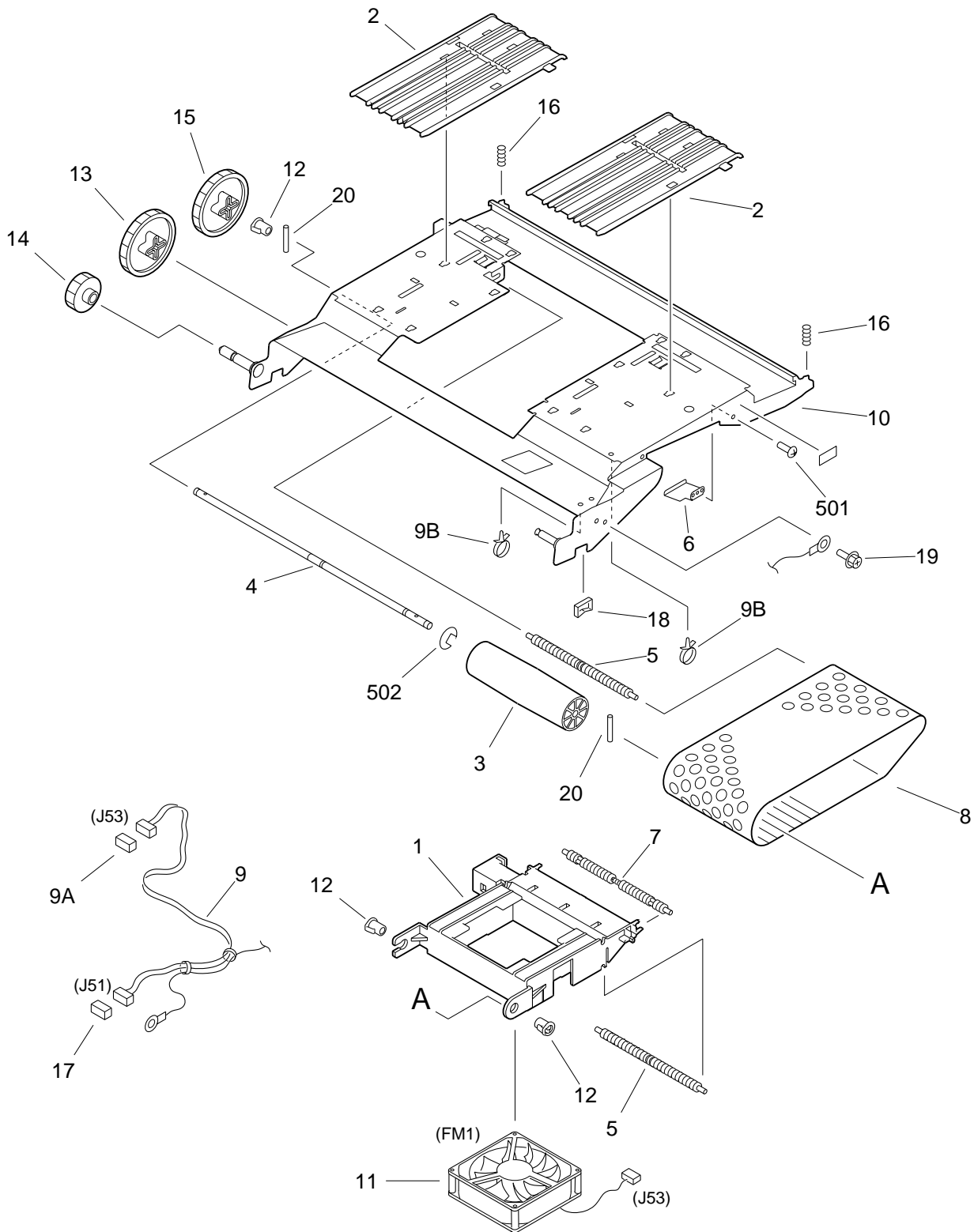
FIGURE 326 MULTI FEEDER TRAY ASSEMBLY



NOTE: This assembly does not include the part shown with key No.13.

FIGURE & KEY NO.	PART NUMBER	RANK	QTY	DESCRIPTION	SERIAL NUMBER / REMARKS
326 -	FG5 - 6231 - 000		1	MULTI FEEDER TRAY ASSEMBLY	MODEL A 100-240V MODEL B 100V 120V EXCEPT NJS
	FG6 - 1697 - 000		1	MULTI FEEDER TRAY ASSEMBLY	MODEL B 120V NJS 220/240V
	1 FB1 - 8619 - 000		2	RACK	
	2 FB1 - 8621 - 000		1	PLATE, LOCK	
3	FB1 - 8625 - 000		1	GEAR, 18T	
4	FB3 - 2822 - 000		1	TRAY, MULTI FEED	
5	FB3 - 2824 - 000		1	TRAY, SLIDE	
6	FB3 - 2825 - 000		1	SIDE PLATE, SIZE, FRONT	
7	FB3 - 2826 - 000		1	SIDE PLATE, SIZE, REAR	
8	FB3 - 2832 - 000		1	GUIDE, MULTI FEEDER CABLE	
9	FB3 - 2836 - 000		1	RING, BELT STOP	
10	FF5 - 4489 - 000		1	COVER, MULTI FEED TRAY	
11	FG5 - 6289 - 000		1	MULTI PAPER SIZE PCB ASSEMBLY	MODEL A 100-240V MODEL B 100V 120V EXCEPT NJS J60
12	FG6 - 1696 - 000		1	MULTI PAPER SIZE PCB ASSEMBLY	MODEL B 120V NJS 220/240V J60
13	FS5 - 3177 - 000		1	PULLEY, IDLER	
	FS5 - 8612 - 000		1	LABEL, SIZE	SEE NOTE AB SIZE
	FS5 - 8613 - 000		1	LABEL, SIZE	SEE NOTE AB/INCH SIZE
	FS5 - 8614 - 000		1	LABEL, SIZE	SEE NOTE A/INCH SIZE
14	FS5 - 8615 - 000		1	LABEL, SIZE	SEE NOTE A SIZE
501	XF9 - 0393 - 000		1	BELT, TIMING	
502	XB4 - 7300 - 609		3	SCREW,TAPPING,TRUSS HEAD,M3X6	
503	XB4 - 7401 - 007		2	SCREW,TAPPING,TRUSS HEAD,M4X10	
	XD2 - 2100 - 502		1	RING,GRIP	

FIGURE 330 FEEDER ASSEMBLY

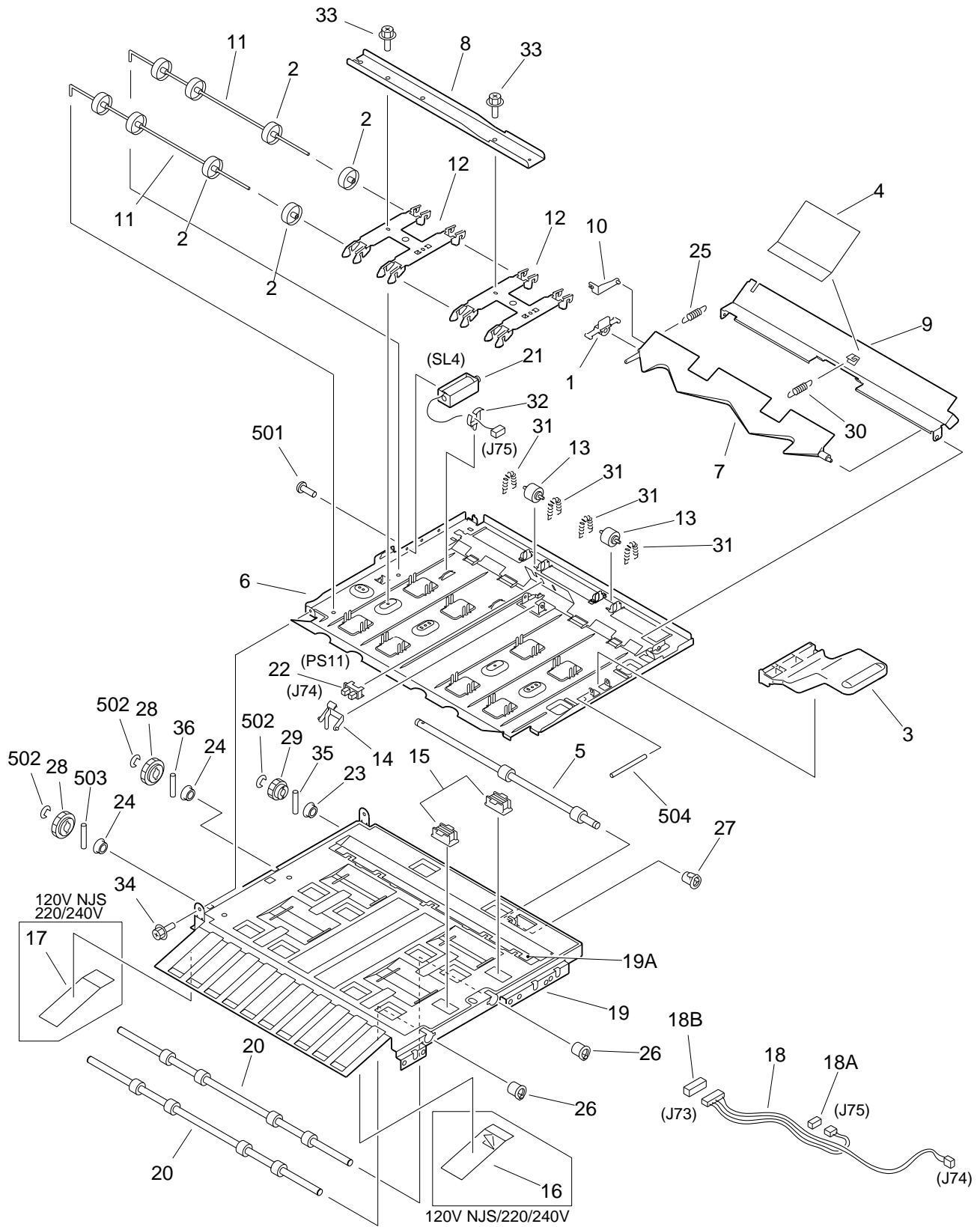


NOTE: This assembly does not include the part shown with key No.17.

FIGURE & KEY NO.	PART NUMBER	RANK	QTY	DESCRIPTION	SERIAL NUMBER / REMARKS
330 -	FG5 - 6266 - 080		1	FEEDER ASSEMBLY	
1	FB3 - 3101 - 000	N	1	FRAME, FEEDER	
2	FB3 - 3103 - 040		2	GUIDE, PAPER FEED	
3	FB3 - 3105 - 000		1	PULLEY, PAPER FEED	
4	FB3 - 3106 - 000		1	SHAFT, PAPER FEED	
5	FB3 - 3107 - 000		2	ROLLER, BELT IDLER, 1	
6	FB3 - 3109 - 000		2	PLATE, MAGNET	
7	FB3 - 3112 - 000		1	ROLLER, BELT IDLER, 2	
8	FB4 - 2830 - 000		1	BELT, PAPER FEED	
9	FF3 - 1184 - 000		1	CABLE, PAPER FEED	J51,53
9A	VS1 - 5057 - 002		1	CONNECTOR, SNAP TIGHT	J53
9B	WT2 - 5041 - 000		2	CLAMP, CABLE	
10	FF5 - 4516 - 000		1	CROSSMEMBER, PAPER FEED	
11	FH6 - 1410 - 000		1	FAN, MOTOR	FM1 J53
12	FS5 - 1590 - 000		3	BUSHING	
13	FS6 - 0561 - 000		1	GEAR, 56T	
14	FS6 - 0563 - 000		1	GEAR, 30T	
15	FS6 - 0590 - 000		1	GEAR, 56T	
16	FS6 - 2342 - 000		2	SPRING, COMPRESSION	
17	VS1 - 5057 - 002		1	CONNECTOR, SNAP TIGHT	SEE NOTE J51
18	WT2 - 5011 - 000		1	CLIP, CABLE	
19	XA9 - 0629 - 000		1	SCREW,RS,M4X8	
20	XD9 - 0121 - 000		2	PIN, DOWEL	
501	XB1 - 2300 - 609		2	SCREW,MACH.,TRUSS HEAD,M3X6	
502	XD2 - 1100 - 502		1	RING,E	

LOWER PAPER FEEDER ASSEMBLY (EXCEPT GP210/210F/GP211/211F)

FIGURE 335

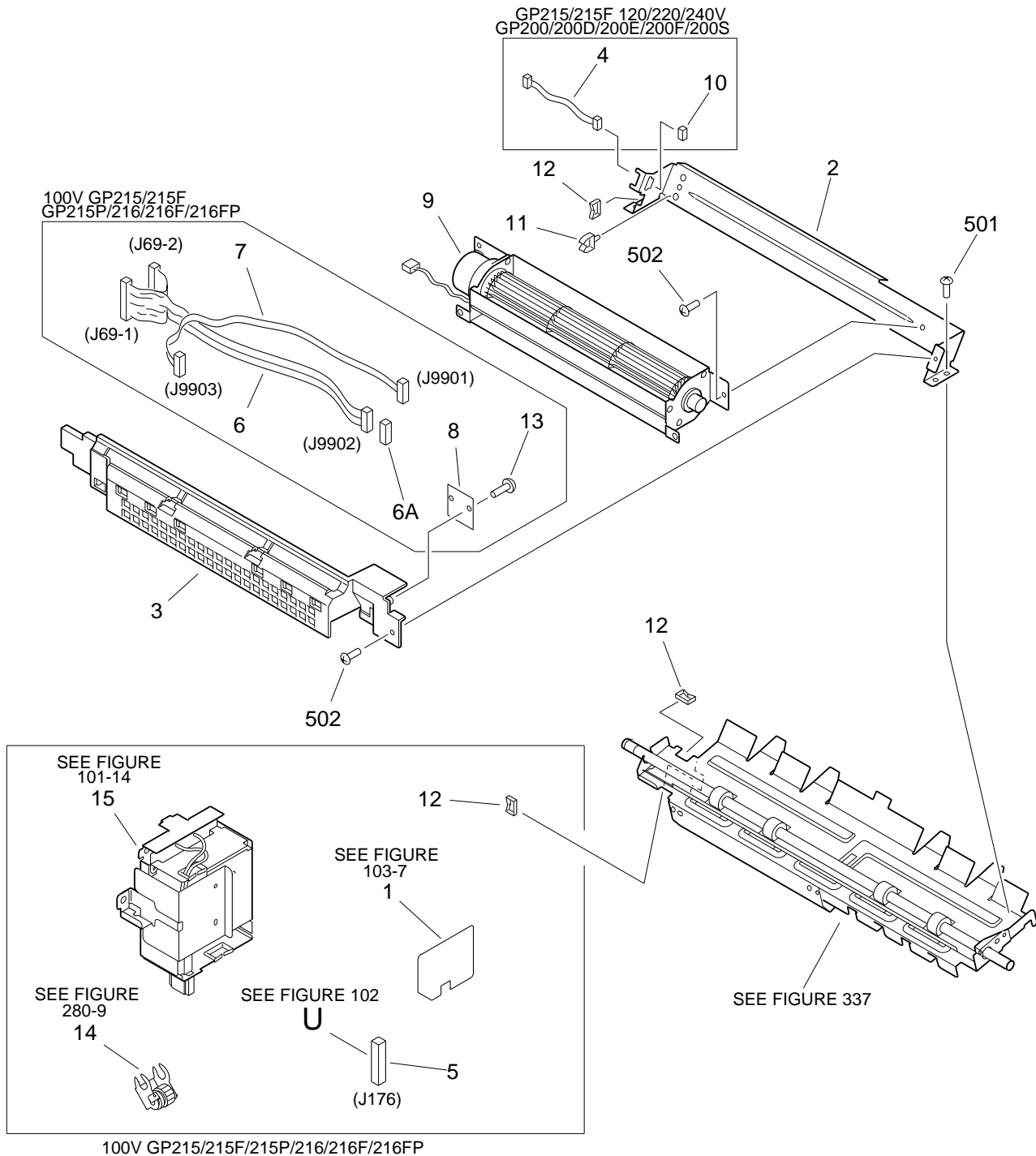


NOTE: This assembly does not include the parts shown with key No. 3, 4, 16, 17 and 504.

FIGURE & KEY NO.	PART NUMBER	RANK	QTY	DESCRIPTION	SERIAL NUMBER / REMARKS
335 -	FG5 - 6253 - 040		1	LOWER PAPER FEEDER ASSEMBLY	EXCEPT GP210/210F EXCEPT GP211/211F
1	FA6 - 9421 - 000		1	SUPPORT, DEFLECTOR	
2	FA9 - 3333 - 000		8	ROLLER, LOWER PAPER FEED, 1	
3	FB3 - 2213 - 000		1	HANDLE, LOWER FEEDER	SEE NOTE EXCEPT GP210/210F EXCEPT GP211/211F
4	FB3 - 2314 - 000		1	SHEET, FLAPPER COVER	SEE NOTE EXCEPT GP210/210F EXCEPT GP211/211F
5	FB3 - 2978 - 000		1	ROLLER, PAPER PICK-UP	
6	FB3 - 2979 - 000	N	1	FRAME, LOWER PAPER FEED, UPPER	
7	FB3 - 2981 - 030		1	DEFLECTOR, LOWER PAPER FEED	
8	FB3 - 2982 - 000		1	CROSSMEMBER, LOWER PAPER FEED	
9	FB3 - 2983 - 000		1	COVER, DEFLECTOR	
10	FB3 - 2984 - 000		1	LINK, SOLENOID	
11	FB3 - 2985 - 020		2	SHAFT, LOWER PAPER FEED ROLLER	
12	FB3 - 2986 - 000		2	SPRING, LEAF	
13	FB3 - 2987 - 000		2	ROLLER, PAPER PICK-UP	
14	FB3 - 2989 - 000		1	FLAG, SENSOR	
15	FB3 - 2997 - 000		2	MAGNET CATCH	
16	FB3 - 3003 - 000		1	SHEET, L. FEED BLANKING, FRONT	SEE NOTE EXCEPT GP210/210F EXCEPT GP211/211F 120V NJS/220/240V
17	FB3 - 3004 - 000		1	SHEET, L. FEED BLANKING, REAR	SEE NOTE EXCEPT GP210/210F EXCEPT GP211/211F 120V NJS/220/240V
18	FF3 - 1175 - 000		1	CABLE, LOWER PAPER FEED	
18 A	VS1 - 5057 - 002		1	CONNECTOR, SNAP TIGHT	J75
18 B	VS1 - 5057 - 005		1	CONNECTOR, SNAP TIGHT	J73
19	FF5 - 4503 - 000		1	FRAME, LOWER PAPER FEED, LOWER	
19 A	FB3 - 2988 - 020		1	SHEET, DEFLECTOR	
20	FF9 - 1565 - 000		2	ROLLER, LOWER PAPER FEED, 2	
21	FH7 - 5640 - 000		1	SOLENOID	SL4 J75
22	FH7 - 7326 - 000		1	PHOTO-INTERRUPTER	PS11 J74

FIGURE & KEY NO.	PART NUMBER	R A N K	Q' T Y	DESCRIPTION	SERIAL NUMBER / REMARKS
335 - 23	FS1 - 1512 - 000		1	BUSHING	
24	FS2 - 1486 - 000		2	BUSHING	
25	FS3 - 2976 - 000		1	SPRING, TENSION	
26	FS5 - 1209 - 000		2	BUSHING	
27	FS5 - 1590 - 000		1	BUSHING	
28	FS6 - 0554 - 000		2	GEAR, 22T	
29	FS6 - 0555 - 000		1	GEAR, 16T	
30	FS6 - 2312 - 000		1	SPRING, TENSION	
31	FS6 - 2313 - 000		4	SPRING, TENSION	
32	WT2 - 5136 - 000		2	CLIP, CORD	
33	XA9 - 0626 - 000		5	SCREW,RS,M3X6	
34	XA9 - 0724 - 000		1	SCREW,RS,M3X8	
35	XD9 - 0103 - 000		1	PIN,DOWEL	
36	XD9 - 0104 - 000		1	PIN,DOWEL	
501	XB1 - 2300 - 409		1	SCREW,MACH.,TRUSS HEAD,M3X4	
502	XD2 - 1100 - 642		4	RING,E	
503	XD3 - 2200 - 142		1	PIN,DOWEL	
504	XD3 - 2400 - 402		1	PIN,DOWEL	SEE NOTE EXCEPT GP210/210F EXCEPT GP211/211F

LOWER FEED INLET FAN ASSEMBLY (EXCEPT GP210/210F/211/211F)



NOTE1: This assembly includes the assembly shown in Figure 337.

NOTE2: This assembly does not include the parts shown with key No. 1, 3, 5, 14 and 15.

NOTE3: Parts identified as Key No. 1, 2, 3, 5, 6, 6A, 7, 8, 9, 11, 12, 13, 14, 15, 501 and 502 are required when the following is equipped with the Multi Output Tray-B2.

GP210 / 210F with a reverse feeding unit

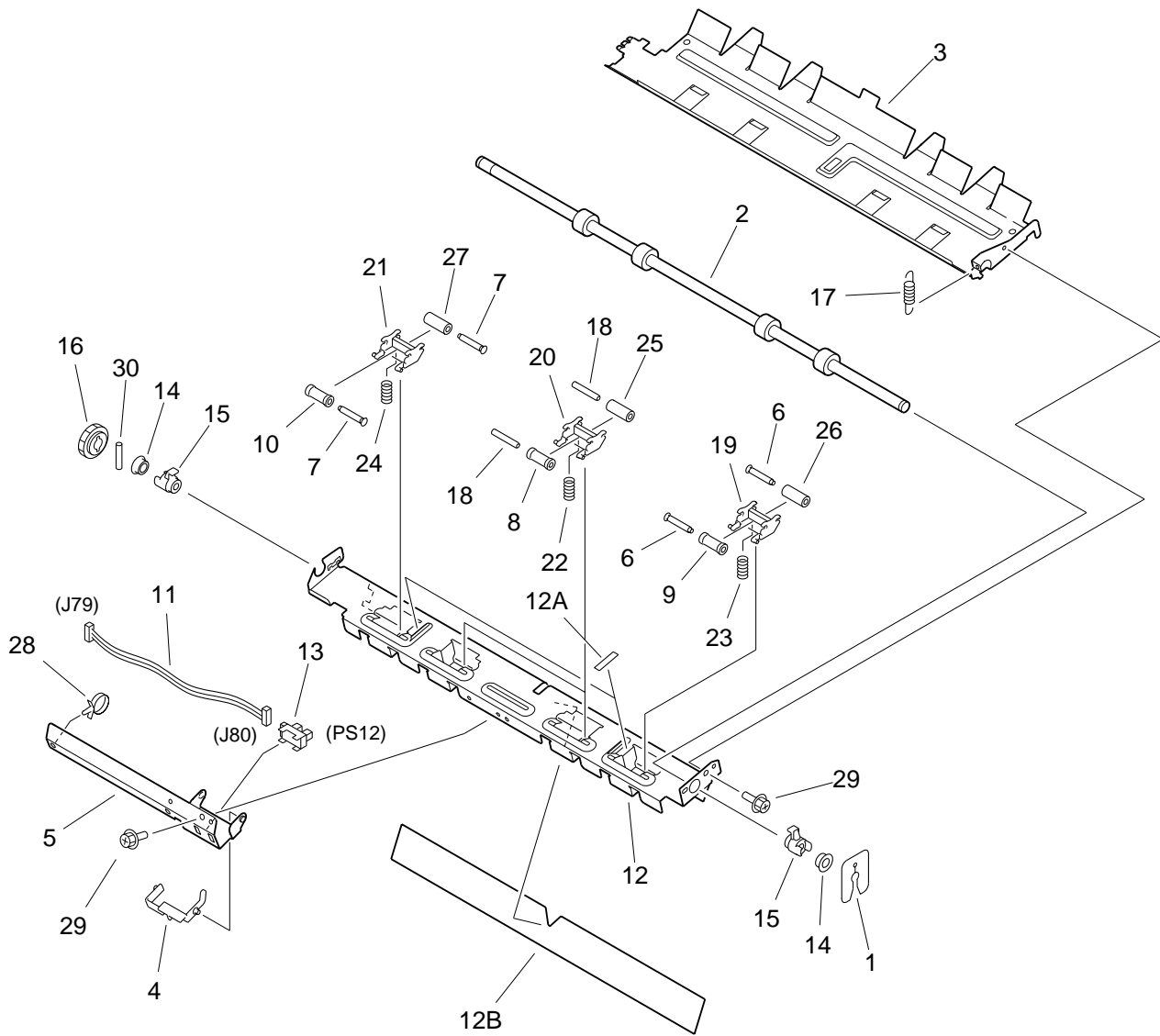
GP215 / 215F / 215P 100V

FIGURE & KEY NO.	PART NUMBER	RANK	QTY	DESCRIPTION	SERIAL NUMBER / REMARKS
336 - 1	FG5 - 8715 - 060		1	LOWER FEED INLET ASS'Y (W/FAN)	GP215/215F 100V GP215P/216/216F GP216FP SEE NOTE 1
	FG5 - 6274 - 080		1	LOWER FEED INLET ASS'Y (W/FAN)	GP215 120/220/240V GP215F 220V GP200/200D/200E/200F GP200S SEE NOTE1
	FB3 - 2373 - 000		1	SHEET, BLANKING	SEE NOTE 2,3 GP215/215F 100V
2	FB3 - 3146 - 000		1	PLATE, FAN MOUNTING	GP215P/216/216F GP216FP SEE NOTE 3
3	FB3 - 3147 - 000		1	COVER, FAN	SEE NOTE 2,3
4	FF3 - 2049 - 000		1	CABLE, FAN, 1	GP215 120/220/240V GP215F 220V GP200/200D/200E/200F GP200S
5	FF3 - 2053 - 000		1	CONNECTOR, DUMMY, 14P	SEE NOTE 2,3 J176 GP215/215F 100V GP215P/216/216F GP216FP
6	FF3 - 2276 - 000		1	CABLE, FAN, 2	SEE NOTE 3 GP215/215F 100V GP215P/216/216F GP216FP J69-1,69-2,9902
6 A	VS1 - 5057 - 011		1	CONNECTOR, SNAP TIGHT	SEE NOTE 3 J9902 GP215/215F 100V GP215P/216/216F GP216FP
7	FF3 - 2277 - 000		1	CABLE, FAN, 3	SEE NOTE 3 GP215/215F 100V GP215P/216/216F GP216FP J9901,9903
8	FG5 - 8694 - 000		1	FAN DRIVER PCB ASSEMBLY	SEE NOTE 3 GP215/215F 100V
9	FH6 - 1348 - 000		1	FAN	GP215P/216/216F GP216FP SEE NOTE 3
10	VS1 - 5057 - 002		1	CONNECTOR, SNAP TIGHT	GP215 120/220/240V GP215F 220V GP200/200D/200E/200F GP200S
11	WT2 - 0434 - 010		1	CLIP, CABLE	SEE NOTE 3
12	WT2 - 5056 - 000		3	CLIP, WIRE	SEE NOTE 3 GP215/215F 100V GP215P/216/216F GP216FP
	WT2 - 5056 - 000		2	CLIP, WIRE	SEE NOTE 3 GP215 120/220/240V GP215F 220V GP200/200D/200E/200F GP200S

FIGURE & KEY NO.	PART NUMBER	RANK	QTY	DESCRIPTION	SERIAL NUMBER / REMARKS
336 - 13	XA9 - 0591 - 000		2	SCREW,M3X8	SEE NOTE 3 GP215/215F 100V GP215P/216/216F GP216FP
14	FF5 - 4498 - 020		1	PLATE, SWING, 2	SEE NOTE 2,3 GP215/215F 100V GP215P/216/216F GP216FP
15	FG5 - 6206 - 030		1	FIXING HEATER DRIVER PCB ASS'Y	SEE NOTE 2,3 GP215/215F 100V
501	XB1 - 2300 - 609		2	SCREW,MACH.,TRUSS HEAD,M3X6	GP215P/216/216F GP216FP SEE NOTE 3
502	XB1 - 2400 - 609		5	SCREW,MACH.,TRUSS HEAD,M4X6	SEE NOTE 3

LOWER FEED INLET ASSEMBLY (EXCEPT GP210/210F/211/211F)

FIGURE 337

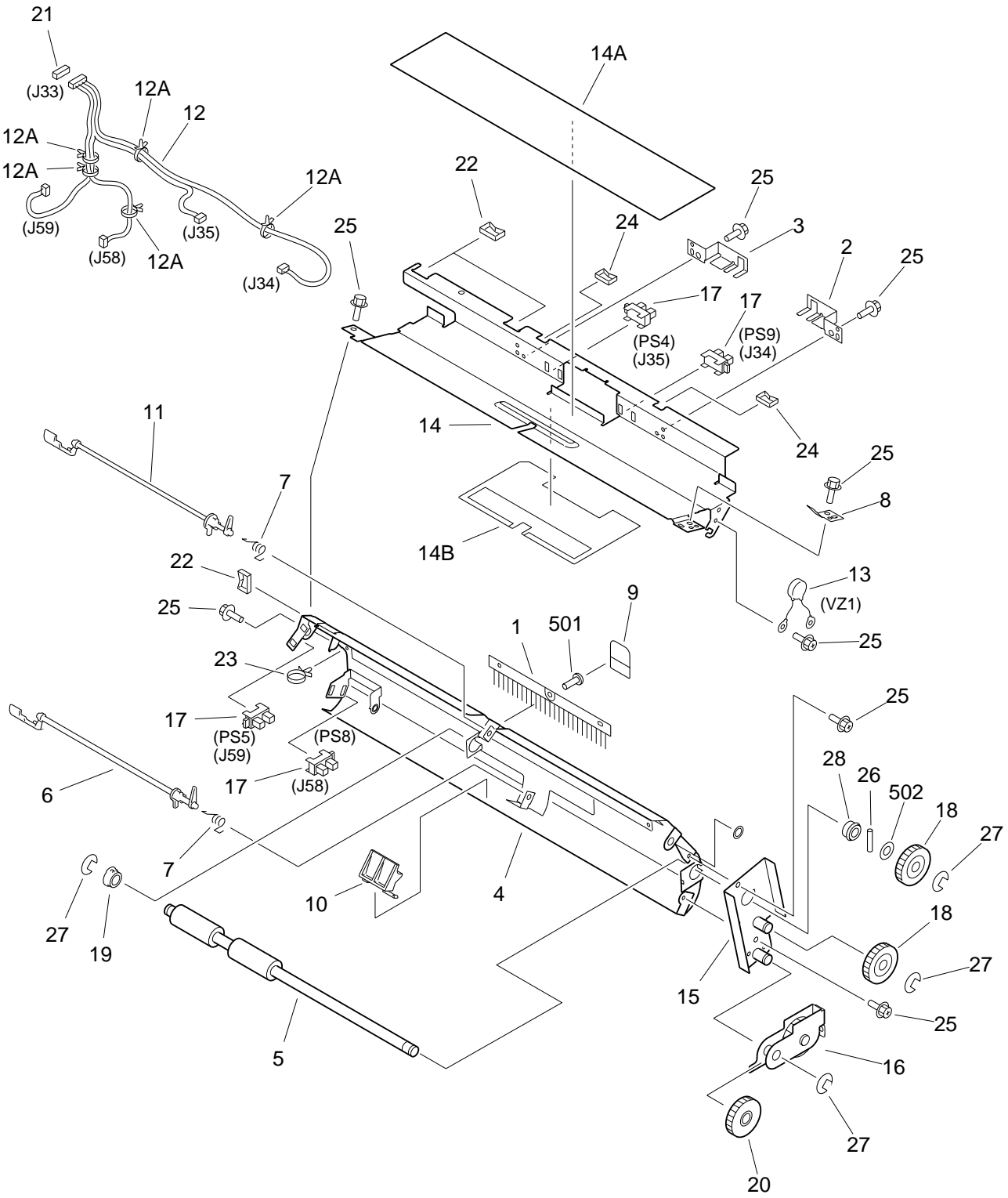


NOTE1: This assembly is included in the assembly shown in Figure 336.
 NOTE2: This assembly does not include the part shown with key No.17.

FIGURE & KEY NO.	PART NUMBER	RANK	QTY	DESCRIPTION	SERIAL NUMBER / REMARKS
337 -	FG5 - 6252 - 060		1	LOWER FEED INLET ASSEMBLY	EXCEPT GP210/210F EXCEPT GP211/211F SEE NOTE 1
1	FA9 - 3546 - 000		1	SHEET, RETAINER	
2	FB3 - 2970 - 030		1	ROLLER, PAPER INLET	
3	FB3 - 2971 - 000		1	PLATE, INLET GUIDE, UPPER	
4	FB3 - 2974 - 000		1	FLAG, PAPER SENSOR	
5	FB3 - 2975 - 000		1	MOUNT, PAPER SENSOR	
6	FB3 - 2998 - 000		2	SHAFT, CURL RELEASE ROLLER	
7	FB3 - 2998 - 000		2	SHAFT, CURL RELEASE ROLLER	
8	FB3 - 3165 - 000		2	ROLLER, CURL RELEASE, 1	
9	FB3 - 3165 - 000		1	ROLLER, CURL RELEASE, 1	
10	FB3 - 3165 - 000		1	ROLLER, CURL RELEASE, 1	
11	FF3 - 1174 - 000		1	CABLE, PAPER SENSOR	J79,80
12	FF5 - 4502 - 020		1	PLATE, PAPER GUIDE, LOWER	
12 A	FA9 - 3395 - 000		2	SHEET, INLET GUIDE, 2	
12 B	FB3 - 2973 - 000		1	SHEET, INLET GUIDE, 1	
13	FH7 - 7326 - 000		1	PHOTO-INTERRUPTER	PS12 J80
14	FS1 - 1189 - 000		2	BUSHING	
15	FS5 - 1596 - 000		2	BUSHING	
16	FS6 - 0554 - 000		1	GEAR, 22T	
17	FS6 - 2316 - 000		1	SPRING, TENSION	SEE NOTE 2 EXCEPT GP210/210F EXCEPT GP211/211F
18	RA1 - 4059 - 000		4	SHAFT, CURL RELEASE ROLLER	
19	RA2 - 0349 - 000		2	SUPPORT, ROLLER	
20	RA2 - 0349 - 000		1	SUPPORT, ROLLER	
21	RA2 - 0349 - 000		1	SUPPORT, ROLLER	
22	RS1 - 2347 - 000		2	SPRING, COMPRESSION	
23	RS1 - 2347 - 000		1	SPRING, COMPRESSION	
24	RS1 - 2347 - 000		1	SPRING, COMPRESSION	
25	RS1 - 6030 - 000		2	ROLLER, CURL RELEASE, 2	

FIGURE & KEY NO.	PART NUMBER	RANK	QTY	DESCRIPTION	SERIAL NUMBER / REMARKS
337 - 26	RS1 - 6030 - 000		1	ROLLER, CURL RELEASE, 2	
27	RS1 - 6030 - 000		1	ROLLER, CURL RELEASE, 2	
28	WT2 - 5041 - 000		2	CLAMP, CABLE	
29	XA9 - 0626 - 000		2	SCREW,RS,M3X6	
30	XD9 - 0104 - 000		1	PIN,DOWEL	

FIGURE 341 REGIST. FRONT GUIDE ASSEMBLY

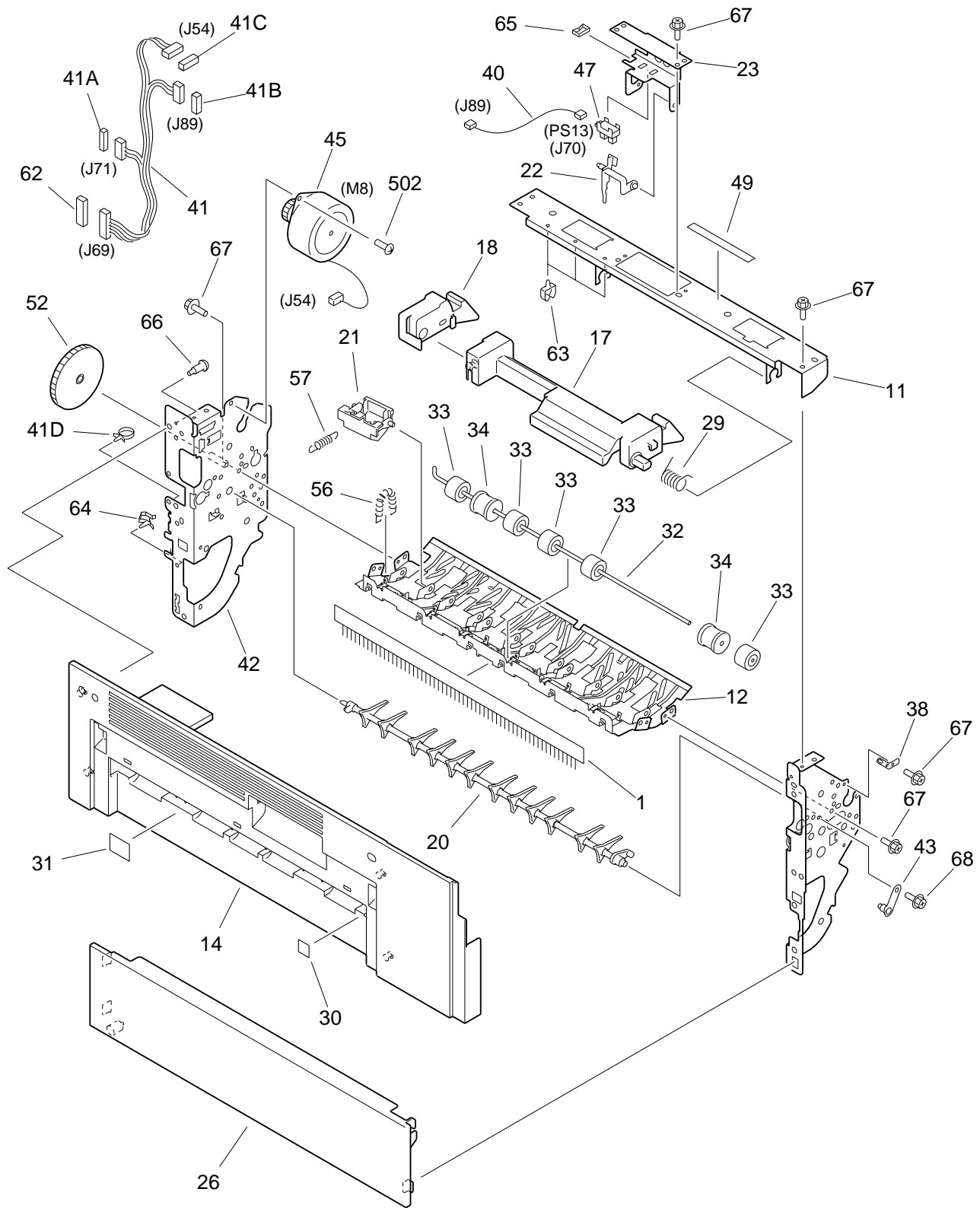


NOTE: This assembly does not include the part shown with key No. 21.

FIGURE & KEY NO.	PART NUMBER	RANK	QTY	DESCRIPTION	SERIAL NUMBER / REMARKS
341 -	FG5 - 6251 - 060		1	REGISTRATION FRONT GUIDE ASS'Y	
1	FB3 - 2647 - 020		1	ELIMINATOR, STATIC CHARGE	
2	FB3 - 2648 - 000		1	PLATE, SENSOR, FRONT	
3	FB3 - 2649 - 000		1	PLATE, SENSOR, REAR	
4	FB3 - 2651 - 030		1	GUIDE, REGISTRATION, LOWER	
5	FB3 - 2652 - 000		1	ROLLER, REGISTRATION	
6	FB3 - 2656 - 020		1	ARM, SENSOR, 1	
7	FB3 - 2658 - 000		2	SPRING, TORSION	
8	FB3 - 2659 - 000		1	SPRING, LEAF	
9	FB3 - 2961 - 000		1	SHEET, REGIST FRONT GUIDE	
10	FB3 - 2968 - 000		1	SUPPORT, SENSOR	
11	FB3 - 2969 - 020		1	ARM, SENSOR, 2	
12	FF3 - 1172 - 000		1	CABLE, REGISTRATION, FRONT	
12 A	WT2 - 5041 - 000		5	CLAMP, CABLE	
13	FF3 - 1173 - 000		1	VARISTOR UNIT	VZ1
14	FF5 - 4509 - 030		1	GUIDE, REGISTRATION, UPPER	
14 A	FB3 - 2653 - 000		1	SHEET, UPPER GUIDE	
14 B	FB3 - 2960 - 000		1	SHEET, LOWER GUIDE	
15	FF5 - 4510 - 000		1	PLATE, DRIVE	
16	FF5 - 4525 - 000		1	PLATE, SWING	
17	FH7 - 7312 - 000		4	PHOTO-INTERRUPTER	PS4,5,8,9 J35,59,58,34
18	FS2 - 0441 - 000		2	GEAR, 28T	
19	FS5 - 1594 - 020		1	BUSHING	
20	FS7 - 0058 - 000		1	GEAR, 28T	
21	VS1 - 5057 - 012		1	CONNECTOR, SNAP TIGHT	SEE NOTE J33
22	WT2 - 5011 - 000		3	CLIP, CABLE	
23	WT2 - 5026 - 000		1	CLIP, CABLE	
24	WT2 - 5498 - 000		2	CLIP, CABLE	
25	XA9 - 0626 - 000		9	SCREW,RS,M3X6	
26	XD9 - 0108 - 000		1	PIN,DOWEL	

FIGURE & KEY NO.	PART NUMBER	R A N K	Q' T Y	DESCRIPTION	SERIAL NUMBER / REMARKS
341 - 27	XD9 - 0137 - 000		4	RING,E	
28	XG3 - 8012 - 355		1	BEARING, BALL	
501	XB2 - 7300 - 607		1	SCREW,W/WASHER,M3X6	
502	XD1 - 1108 - 228		1	SHIM	

DELIVERY ASSEMBLY FIGURE 350 (EXCEPT GP210/210F/211/211F 100V)(1/2)



NOTE: This assembly does not include the parts shown with key No. 2, 26, 50 and 62.

DELIVERY ASSEMBLY
FIGURE 350 (EXCEPT GP210/210F/211/211F 100V)(2/2)

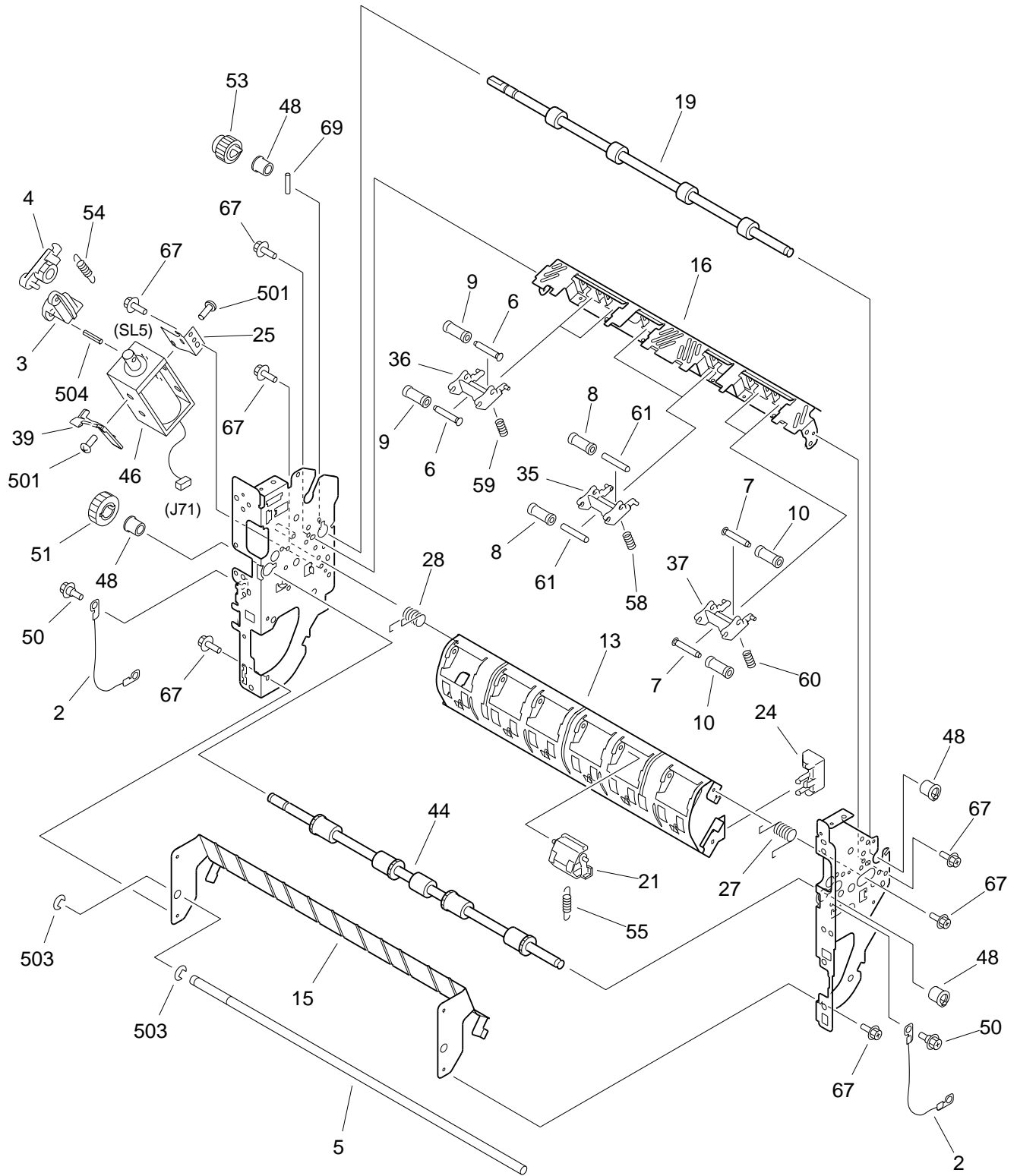


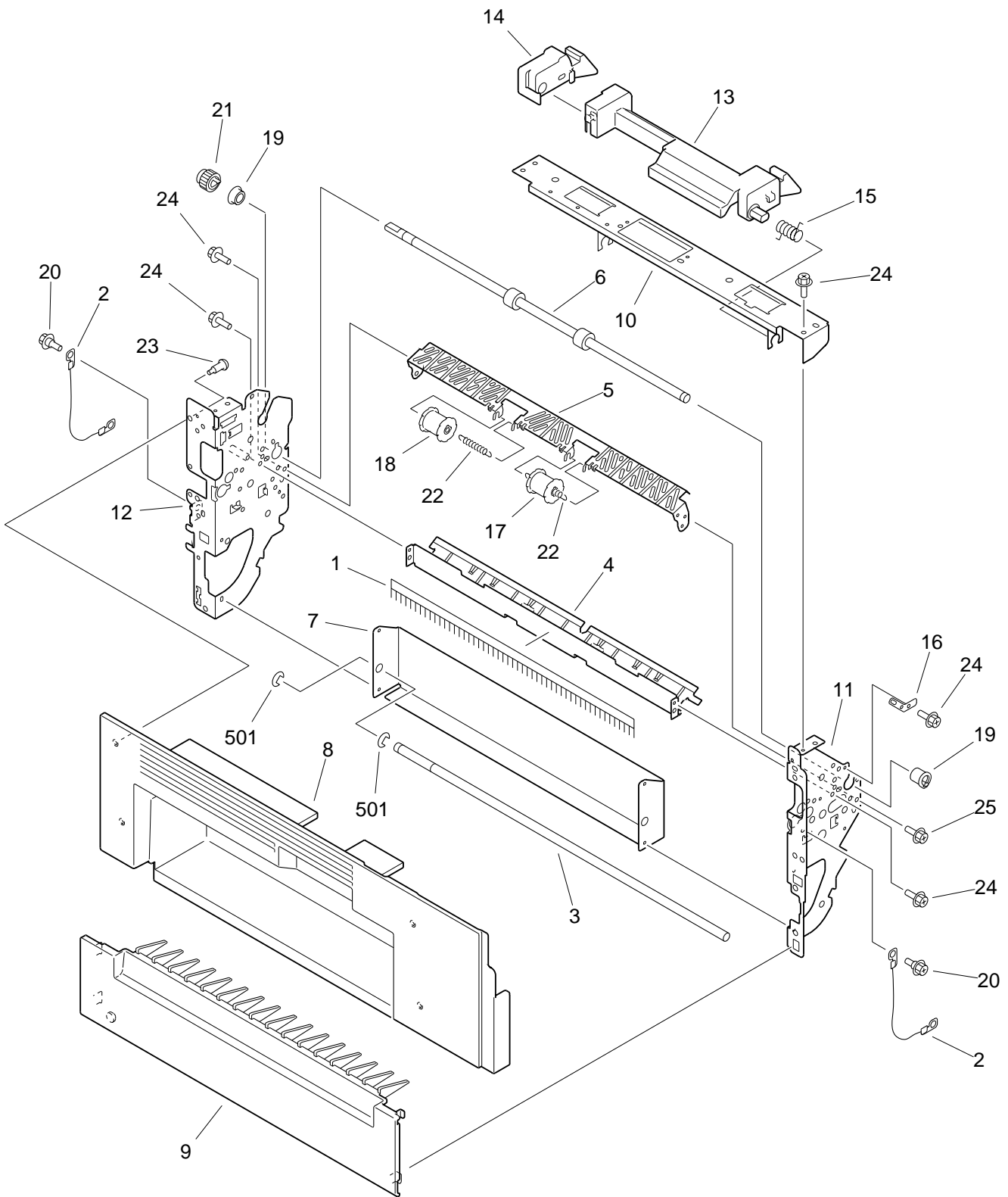
FIGURE & KEY NO.	PART NUMBER	RANK	QTY	DESCRIPTION	SERIAL NUMBER / REMARKS
350 -	FG9 - 3723 - 000		1	DELIVERY ASSEMBLY	MODEL A EXCEPT GP210 100V EXCEPT GP210F 100V
	FG9 - 3726 - 000		1	DELIVERY ASSEMBLY	MODEL B EXCEPT GP210 100V EXCEPT GP210F 100V EXCEPT GP211 100V EXCEPT GP211F 100V
1	FA9 - 3466 - 000		1	ELIMINATOR, STATIC CHARGE	
2	FB1 - 6841 - 000		2	WIRE, DELIVERY SUPPORT	SEE NOTE EXCEPT GP210 100V EXCEPT GP210F 100V EXCEPT GP211 100V EXCEPT GP211F 100V
3	FB1 - 8430 - 000		1	ARM, SOLENOID	
4	FB1 - 8432 - 000		1	BUSHING, STOP	
5	FB3 - 2215 - 000		1	SHAFT, PAPER DELIVERY	
6	FB3 - 2998 - 000		4	SHAFT, CURL RELEASE ROLLER	
7	FB3 - 2998 - 000		4	SHAFT, CURL RELEASE ROLLER	
8	FB3 - 3119 - 000		4	ROLLER, CURL RELEASE	
9	FB3 - 3119 - 000		4	ROLLER, CURL RELEASE	
10	FB3 - 3119 - 000		4	ROLLER, CURL RELEASE	
11	FB3 - 3120 - 030		1	CROSSMEMBER, DELIVERY, UPPER	
12	FB3 - 3123 - 040		1	GUIDE, DELIVERY, UPPER	
13	FB3 - 3124 - 040		1	GUIDE, REVERSE	
14	FB3 - 3125 - 030		1	COVER, DELIVERY, UPPER	
15	FB3 - 3126 - 000		1	GUIDE, DELIVERY, LOWER	
16	FB3 - 3127 - 000		1	GUIDE, PAPER DELIVERY	
17	FB3 - 3128 - 030		1	HANDLE, DELIVERY	
18	FB3 - 3129 - 020		1	HOOK, DELIVERY	
19	FB3 - 3130 - 000		1	ROLLER, INTERNAL DELIVERY	
20	FB3 - 3132 - 000		1	FLAPPER, 1	
21	FB3 - 3133 - 000		12	FLAPPER, 2	
22	FB3 - 3134 - 020		1	ARM, SENSOR	
23	FB3 - 3135 - 000		1	HOLDER, SENSOR	

FIGURE & KEY NO.	PART NUMBER	R A N K	Q' T Y	DESCRIPTION	SERIAL NUMBER / REMARKS
350 - 24	FB3 - 3136 - 000		1	LEVER, REVERSE GUIDE	
25	FB3 - 3137 - 000		1	MOUNT, SOLENOID	
26	FB3 - 3138 - 000		1	COVER, DELIVERY, LOWER	SEE NOTE EXCEPT GP210 100V EXCEPT GP210F 100V EXCEPT GP211 100V EXCEPT GP211F 100V
27	FB3 - 3139 - 000		1	SPRING, TORSION	
28	FB3 - 3140 - 020		1	SPRING, TORSION	
29	FB3 - 3141 - 020		1	SPRING, TORSION	
30	FB3 - 3149 - 000		1	SHEET, DELIVERY COVER, FRONT	
31	FB3 - 3150 - 000		1	SHEET, DELIVERY COVER, REAR	
32	FB3 - 3161 - 020		1	SHAFT, EXTERNAL DELIVERY	
33	FB3 - 3162 - 000		5	ROLLER, EXTERNAL DELIVERY, 1	
34	FB3 - 3163 - 020		2	ROLLER, EXTERNAL DELIVERY, 2	
35	FB3 - 3164 - 000		2	SUPPORT, ROLLER	
36	FB3 - 3164 - 000		2	SUPPORT, ROLLER	
37	FB3 - 3164 - 000		2	SUPPORT, ROLLER	
38	FB3 - 3169 - 000		1	PLATE, INTERLOCK PRESSURE, 1	
39	FB3 - 9619 - 000		1	COVER, DELIVERY SOLENOID	
40	FF3 - 1149 - 000		1	CABLE, REVERSE, FRONT	J70,89
41	FF3 - 1185 - 000		1	CABLE, DELIVERY, 1	J54,69,71,89
41 A	VS1 - 5057 - 002		1	CONNECTOR, SNAP TIGHT	J71
41 B	VS1 - 5057 - 003		1	CONNECTOR, SNAP TIGHT	J89
41 C	VS1 - 5057 - 006		1	CONNECTOR, SNAP TIGHT	J54
41 D	WT2 - 5041 - 000		4	CLAMP, CABLE	
42	FF5 - 4512 - 040	N	1	PLATE, DELIVERY, REAR	
43	FF5 - 4570 - 000		1	PIN, REVERSE GUIDE STOP	
44	FF5 - 4583 - 000		1	ROLLER, EXTERNAL DELIVERY	
45	FH6 - 1251 - 000		1	MOTOR, STEPPING	M8 J54
46	FH7 - 5641 - 000		1	SOLENOID	SL5 J71
47	FH7 - 7312 - 000		1	PHOTO-INTERRUPTER	PS13 J70

FIGURE & KEY NO.	PART NUMBER	RANK	QTY	DESCRIPTION	SERIAL NUMBER / REMARKS
350 - 48	FS5 - 1209 - 000		4	BUSHING	
49	FS5 - 8374 - 000		1	LABEL, "WARNING HIGH TEMP."	
50	FS5 - 9164 - 000		2	SCREW,RS STEPPED,M4	SEE NOTE EXCEPT GP210 100V EXCEPT GP210F 100V EXCEPT GP211 100V EXCEPT GP211F 100V
51	FS6 - 0558 - 000		1	GEAR, 17T	
52	FS6 - 0559 - 020		1	GEAR, 57T	
53	FS6 - 0560 - 000		1	GEAR, 20T	MODEL A EXCEPT GP210 100V EXCEPT GP210F 100V
	FS7 - 0182 - 000		1	GEAR, 20T	MODEL B EXCEPT GP210 100V
					EXCEPT GP210F 100V EXCEPT GP211 100V EXCEPT GP211F 100V
54	FS6 - 2320 - 020		1	SPRING, TENSION	
55	FS6 - 2321 - 000		6	SPRING, TENSION	
56	FS6 - 2322 - 000		6	SPRING, TENSION	
57	FS6 - 2338 - 000		6	SPRING, TENSION	
58	FS6 - 2340 - 000		2	SPRING, COMPRESSION	
59	FS6 - 2340 - 000		2	SPRING, COMPRESSION	
60	FS6 - 2340 - 000		2	SPRING, COMPRESSION	
61	RA9 - 1106 - 000		4	SHAFT, CURL RELEASE ROLLER	
62	VS1 - 5057 - 011		1	CONNECTOR, SNAP TIGHT	SEE NOTE J69 EXCEPT GP210 100V EXCEPT GP210F 100V EXCEPT GP211 100V EXCEPT GP211F 100V
63	WT2 - 5026 - 000		3	CLIP, CABLE	
64	WT2 - 5065 - 000		1	CLAMP, CABLE	
65	WT2 - 5498 - 000		1	CLIP, CABLE	
66	XA9 - 0605 - 000		4	SCREW,M4X8	
67	XA9 - 0626 - 000		18	SCREW,RS,M3X6	
68	XA9 - 0642 - 000		1	SCREW,RS,M3X6	
69	XD9 - 0104 - 000		1	PIN,DOWEL	

FIGURE & KEY NO.	PART NUMBER	R A N K	Q' T Y	DESCRIPTION	SERIAL NUMBER / REMARKS
350 - 501	XB1 - 2300 - 409		3	SCREW,MACH.,TRUSS HEAD,M3X4	
502	XB1 - 2300 - 609		2	SCREW,MACH.,TRUSS HEAD,M3X6	
503	XD2 - 1100 - 642		2	RING,E	
504	XD3 - 1300 - 102		1	PIN,SPRING	

DELIVERY ASSEMBLY FIGURE 355 (GP210/210F/211/211F 100V)



NOTE: This assembly does not include the parts shown with key No. 2, 9 and 20.

FIGURE & KEY NO.	PART NUMBER	RANK	QTY	DESCRIPTION	SERIAL NUMBER / REMARKS
355 -	FG9 - 3724 - 000		1	PAPER DELIVERY ASSEMBLY	MODEL A GP210/210F 100V
	FG9 - 3727 - 000		1	DELIVERY ASSEMBLY	MODEL B GP210/210F 100V GP211/211F 100V
1	FA9 - 3466 - 000		1	ELIMINATOR, STATIC CHARGE	
2	FB1 - 6841 - 000		2	WIRE, DELIVERY SUPPORT	SEE NOTE GP210/210F 100V

3	FB3 - 2215 - 000		1	SHAFT, PAPER DELIVERY	GP211/211F 100V
4	FB3 - 2325 - 020		1	GUIDE, DELIVERY, UPPER	
5	FB3 - 2326 - 000		1	GUIDE, DELIVERY, LOWER	
6	FB3 - 2327 - 000		1	ROLLER, DELIVERY	

7	FB3 - 2328 - 000	N	1	CROSSMEMBER, DELIVERY, LOWER	
8	FB3 - 2329 - 000		1	COVER, DELIVERY, UPPER	
9	FB3 - 2330 - 000		1	COVER, DELIVERY, LOWER	SEE NOTE GP210/210F 100V GP211/211F 100V
10	FB3 - 3120 - 030		1	CROSSMEMBER, DELIVERY, UPPER	

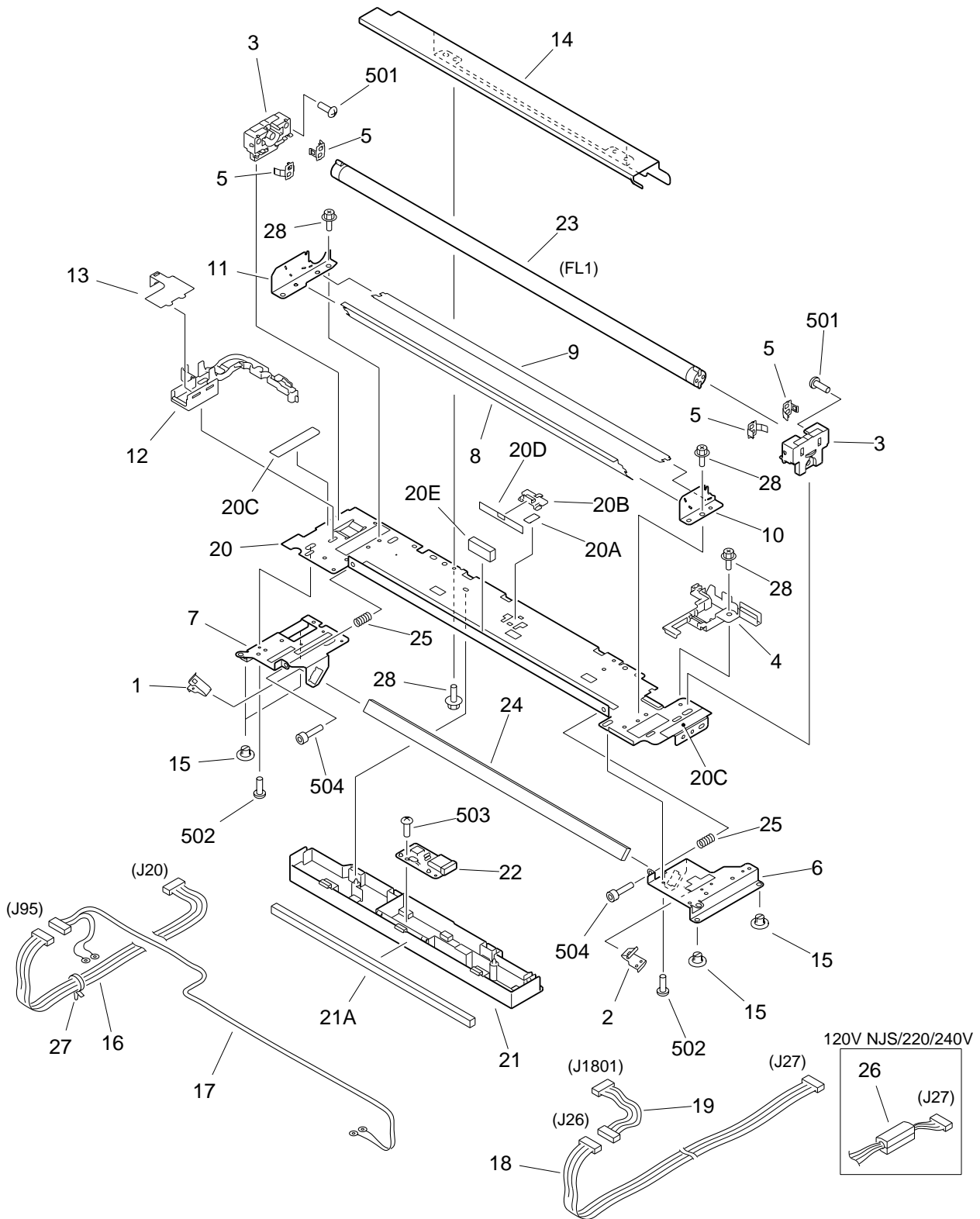
11	FB3 - 3121 - 030	N	1	PLATE, DELIVERY, FRONT	
12	FB3 - 3122 - 050	N	1	PLATE, DELIVERY, REAR	
13	FB3 - 3128 - 030		1	HANDLE, DELIVERY	
14	FB3 - 3129 - 020		1	HOOK, DELIVERY	
15	FB3 - 3141 - 020		1	SPRING, TORSION	

16	FB3 - 3169 - 000		1	PLATE, INTERLOCK PRESSURE, 1	
17	FF5 - 4593 - 000		1	ROLLER, DELIVERY, FRONT	
18	FF5 - 4594 - 000		1	ROLLER, DELIVERY, REAR	
19	FS5 - 1209 - 000		2	BUSHING	
20	FS5 - 9164 - 000		2	SCREW,RS STEPPED,M4	SEE NOTE GP210/210F 100V

21	FS6 - 0560 - 000		1	GEAR, 20T	GP211/211F 100V MODEL A GP210/210F 100V
	FS7 - 0182 - 000		1	GEAR, 20T	MODEL B GP210/210F 100V GP211/211F 100V
22	FS6 - 2385 - 000		2	SPRING, TENSION	

FIGURE & KEY NO.	PART NUMBER	R A N K	Q' T Y	DESCRIPTION	SERIAL NUMBER / REMARKS
355 - 23	XA9 - 0605 - 000		4	SCREW,M4X8	
24	XA9 - 0626 - 000		12	SCREW,RS,M3X6	
25	XA9 - 0642 - 000		1	SCREW,RS,M3X6	
501	XD2 - 1100 - 642		2	RING,E	

FIGURE 400 MIRROR ASSEMBLY 1



NOTE: This assembly does not include the part shown with key No. 26.

FIGURE & KEY NO.	PART NUMBER	RANK	QTY	DESCRIPTION	SERIAL NUMBER / REMARKS
400 -	FG5 - 6166 - 040		1	MIRROR ASSEMBLY 1	
1	FB1 - 6649 - 000		1	SPRING, LEAF, REAR	
2	FB1 - 6657 - 000		1	SPRING, MIRROR MOUNT	
3	FB2 - 1947 - 000		2	MOUNT, LAMP, FRONT	
4	FB2 - 1952 - 000		1	SUPPORT, CABLE, FRONT	
5	FB2 - 1954 - 000		4	PLATE, CONTACT	
6	FB3 - 2402 - 000		1	SUPPORT, MIRROR, FRONT	
7	FB3 - 2403 - 000		1	SUPPORT, MIRROR, REAR	
8	FB3 - 2404 - 000		1	REFLECTOR, UPPER	
9	FB3 - 2405 - 000		1	REFLECTOR, LOWER	
10	FB3 - 2406 - 000		1	SUPPORT, REFLECTOR, FRONT	
11	FB3 - 2407 - 000		1	SUPPORT, REFLECTOR, REAR	
12	FB3 - 2408 - 000		1	GUIDE, CORD, 1	
13	FB3 - 2409 - 000		1	GUIDE, CORD, 2	
14	FB3 - 2410 - 020		1	PLATE, LIGHT-BLOCKING	
15	FB3 - 2411 - 000		4	PIN, SLIDE	
16	FF3 - 1138 - 000		1	CABLE, FLUORESCENT LAMP, 1	J20,95
17	FF3 - 1139 - 000		1	CABLE, FLUORESCENT LAMP, 2	J95
18	FF3 - 1140 - 000		1	CABLE, INTENSITY SENSOR, 1	J26,27
19	FF3 - 1141 - 000		1	CABLE, INTENSITY SENSOR, 2	J26,1801
20	FF5 - 4517 - 000		1	MOUNT, MIRROR 1	
20 A	FB1 - 0715 - 000		1	FILTER, LIGHT DENSITY	
20 B	FB2 - 1961 - 000		1	CAP, EXPOSURE CONTROL SENSOR	
20 C	FB2 - 1966 - 000		2	SHEET, INSULATION	
20 D	FB3 - 2412 - 000		1	SHEET, INTENSITY COVER	
20 E	FB3 - 2450 - 000		1	SPACER, RUBBER	
21	FF5 - 4590 - 000	N	1	MOUNT, INTENSITY SENSOR	
21 A	FB3 - 2451 - 000		1	SPACER, RUBBER	
22	FG5 - 6287 - 000		1	INTENSITY SENSOR PCB ASSEMBLY	
23	FH7 - 3314 - 000		1	LAMP, FLUORESCENT	FL1

FIGURE & KEY NO.	PART NUMBER	R A N K	Q' T Y	DESCRIPTION	SERIAL NUMBER / REMARKS
400 - 24	FN5 - 4073 - 000		1	MIRROR UNIT, 1	SEE NOTE 120V NJS/220/240V
25	FS6 - 2341 - 000		2	SPRING, COMPRESSION	
26	WE8 - 5402 - 000		1	CORE, FERRITE	
27	WT2 - 5043 - 000		1	TIE, CABLE	
28	XA9 - 0626 - 000		9	SCREW,RS,M3X6	
5 0 1	XB1 - 2300 - 607		4	SCREW,MACH.,TRUSS HEAD,M3X6	
5 0 2	XB2 - 5300 - 609		4	SCREW,W/WASHER,M3X6	
5 0 3	XB4 - 7300 - 609		1	SCREW,TAPPING,TRUSS HEAD,M3X6	
5 0 4	XB7 - 1030 - 149		2	SCREW,ALLEN HEAD,M3X14	

FIGURE 401 MIRROR ASSEMBLY 2

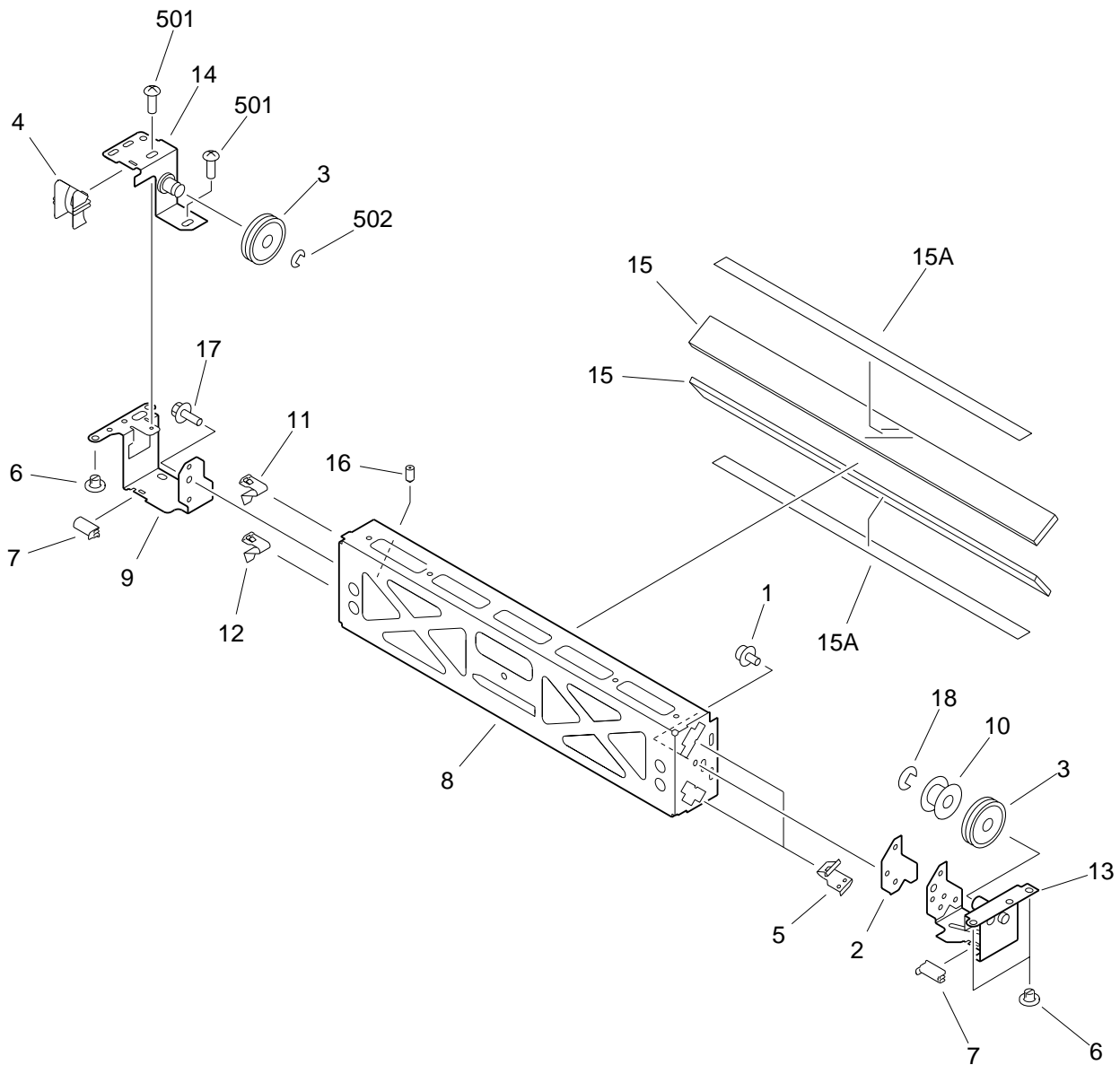
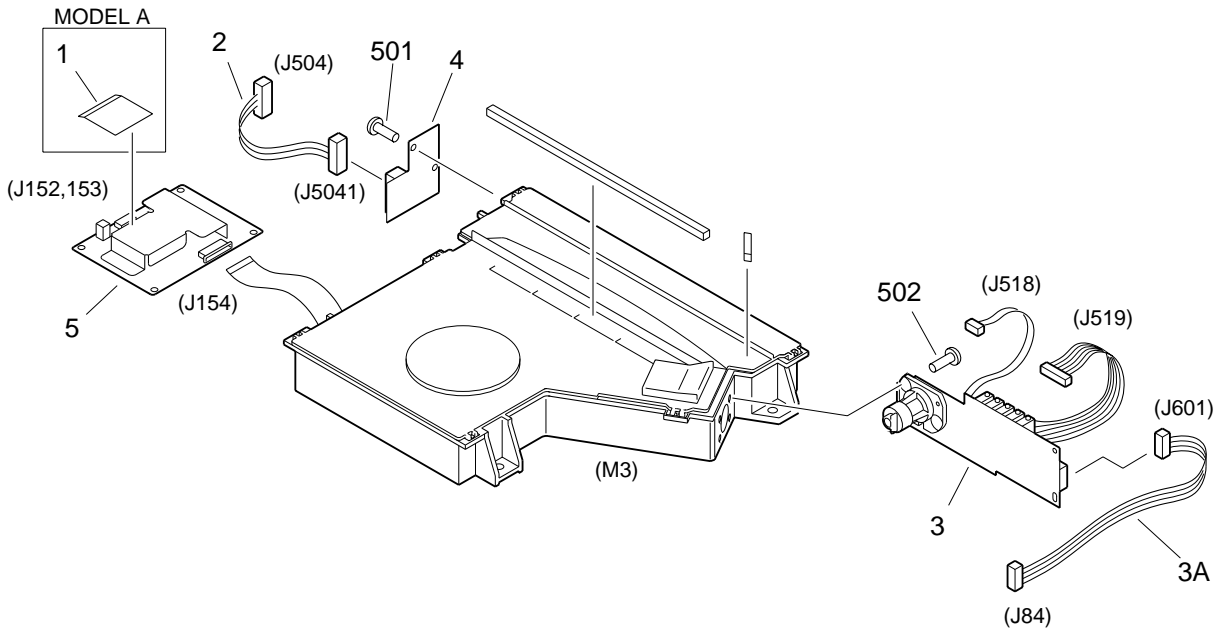


FIGURE & KEY NO.	PART NUMBER	R A N K	Q' T Y	DESCRIPTION	SERIAL NUMBER / REMARKS
401 -	FG5 - 6168 - 080		1	MIRROR ASSEMBLY 2	
1	FA9 - 3336 - 000		3	SCREW,ALLEN HEAD,M3X8	
2	FA9 - 3337 - 000		1	PLATE, SLIDE MOUNT HOLDER	
3	FB1 - 1282 - 000		2	PULLEY	
4	FB1 - 6654 - 000		1	GUIDE, CORD	
5	FB1 - 6657 - 000		2	SPRING, MIRROR MOUNT	
6	FB3 - 2411 - 000		4	PIN, SLIDE	
7	FB3 - 2414 - 000		2	GUIDE, CORD, 2	
8	FB3 - 2415 - 040		1	MOUNT, MIRROR, 2	
9	FB3 - 2417 - 030		1	MOUNT, SLIDE, REAR	
10	FB3 - 2419 - 000		1	GUIDE, CORD, 3	
11	FB3 - 2423 - 000		1	SPRING, LEAF	
12	FB3 - 2424 - 000		1	SPRING, LEAF	
13	FF5 - 4518 - 040		1	MOUNT, SLIDE, FRONT	
14	FF5 - 4519 - 000		1	MOUNT, PULLEY	
15	FF9 - 1561 - 000		2	MIRROR UNIT, 2/3	
15 A	FA9 - 3316 - 000	N	1	PLATE, MIRROR	
16	XA9 - 0425 - 000		1	SETSCREW,HEX SOCKET	
17	XA9 - 0626 - 000		1	SCREW,RS,M3X6	
18	XD9 - 0137 - 000		1	RING,E	
501	XB6 - 7300 - 609		6	SCREW,TP,M3X6	
502	XD2 - 1200 - 807		1	RING,E	

FIGURE 460 SCANNER ASSEMBLY



NOTE: This assembly does not include the parts shown with key No. 1, 2 and 5.

FIGURE & KEY NO.	PART NUMBER	RANK	QTY	DESCRIPTION	SERIAL NUMBER / REMARKS	
460 -	FG5 - 6178 - 090		1	SCANNER ASSEMBLY	MODEL A	
	FG6 - 1705 - 000		1	SCANNER ASSEMBLY	MODEL B	
	1	FB3 - 2347 - 000		1	SHEET, PROTECTIVE	SEE NOTE MODEL A
	2	FF3 - 1177 - 000		1	CABLE, BEAM DETECTOR	SEE NOTE J504,5041
	3	FG5 - 6180 - 000		1	LASER DRIVER PCB ASSEMBLY	MODEL A J518,519
3 A	FG6 - 1135 - 000		1	LASER DRIVER PCB ASSEMBLY	MODEL B J518,519	
	FF3 - 1144 - 000		1	CABLE, LASER POWER SUPPLY	MODEL A J84,601	
	FF3 - 3061 - 000		1	CABLE, LASER POWER SUPPLY	MODEL B J84,601	
	4	FG6 - 1170 - 000		1	BEAM DETECTOR IC PCB ASSEMBLY	
	5	FH6 - 3563 - 000		1	POLYGON MOTOR DRIVER PCB UNIT	SEE NOTE
501	FH6 - 3565 - 000		1	POLYGON MOTOR DRIVER PCB UNIT	SEE NOTE	
	501	XB4 - 6200 - 807		2	SCREW, TAPPING, PAN HEAD, M2X8	
	502	XB4 - 7300 - 809		4	SCREW, TAPPING, TRUSS HEAD, M3X8	

FIGURE 510 DRUM CARTRIDGE

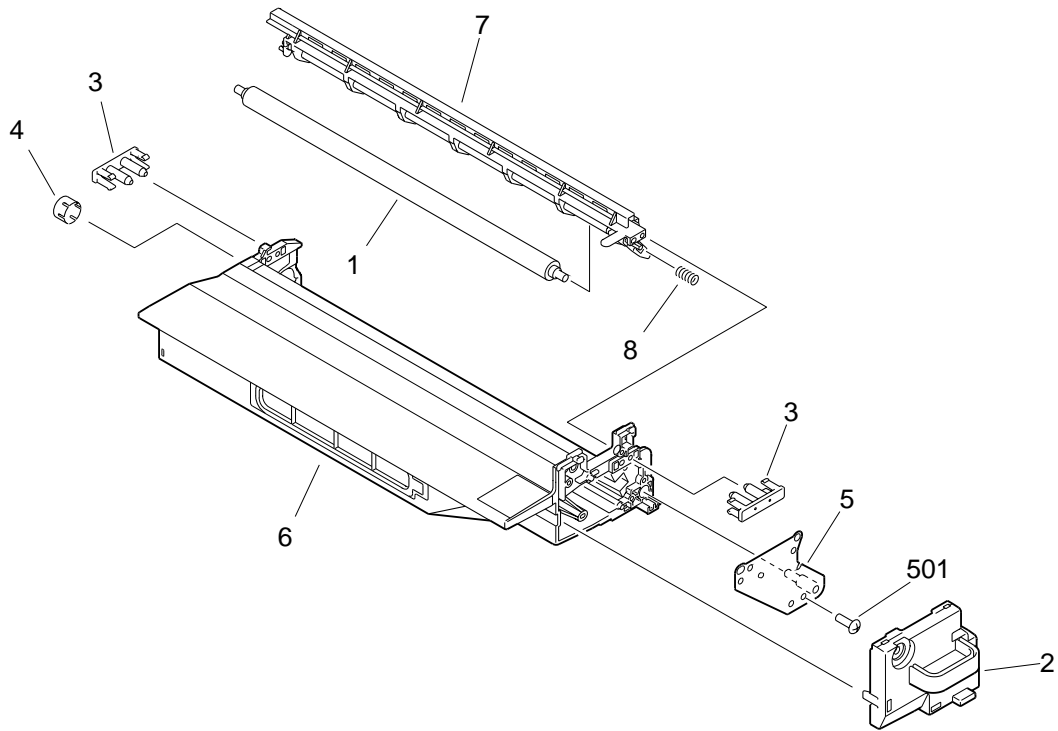


FIGURE & KEY NO.	PART NUMBER	RANK	QTY	DESCRIPTION	SERIAL NUMBER / REMARKS
510 -	NPN		RF	DRUM CARTRIDGE	
1	FA9 - 3409 - 000		1	ROLLER, PRIMARY CHARGE	
2	FB3 - 2741 - 020		1	COVER, DRUM, FRONT	
3	FB3 - 2742 - 000		2	PIN, DRUM HOLDING	
4	FB3 - 2743 - 000		1	CAP, TERMINAL	
5	FF5 - 4475 - 000		1	PLATE, DRUM SUPPORT, FRONT	
6	FG5 - 6218 - 000		1	DRUM CLEANING UNIT	
7	FG5 - 6220 - 000		1	ROLLER HOLDING UNIT	
8	FS6 - 2336 - 000		1	SPRING, COMPRESSION	
501	XB4 - 7400 - 809		3	SCREW, TAPPING, TRUSS HEAD, M4X8	

FIGURE 640 DEVELOPING ASSEMBLY

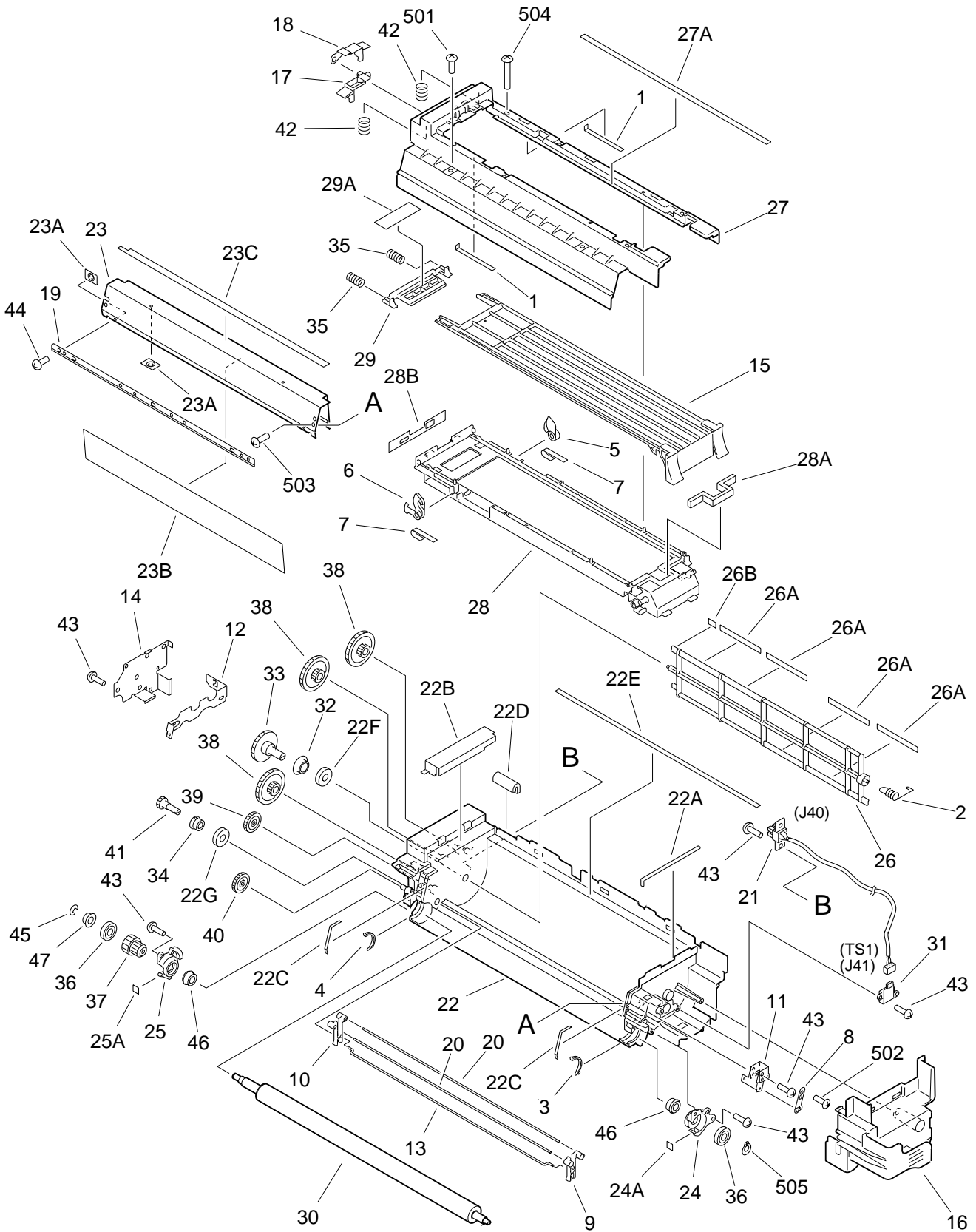


FIGURE & KEY NO.	PART NUMBER	RANK	QTY	DESCRIPTION	SERIAL NUMBER / REMARKS
640 -	FG5 - 6210 - 050		1	DEVELOPING ASSEMBLY	MODEL A 100V
	FG5 - 8706 - 070		1	DEVELOPING ASSEMBLY	MODEL A 120/220/240V
	FG6 - 1670 - 000		1	DEVELOPING ASSEMBLY	MODEL B 100V
	FG6 - 1673 - 000		1	DEVELOPING ASSEMBLY	MODEL B 120/220/240V
	1	FB1 - 5816 - 000		2	SPRING, LEAF
2	FB1 - 6710 - 000		1	SPRING, COMPRESSION	
3	FB1 - 6718 - 000		1	SEAL, FRONT	
4	FB1 - 6719 - 000		1	SEAL, REAR	
5	FB1 - 7218 - 000		1	LOCK, CARTRIDGE, RIGHT	
6	FB1 - 7219 - 000		1	LOCK, CARTRIDGE, LEFT	
7	FB1 - 7220 - 000		2	SPRING, LEAF	
8	FB1 - 8130 - 000		1	PLATE, POSITIONING	
9	FB2 - 3910 - 000		1	SUPPORT, STIRRING, FRONT	
10	FB2 - 3911 - 000		1	SUPPORT, STIRRING, REAR	
11	FB3 - 2672 - 000		1	PLATE, TERMINAL, FRONT	
12	FB3 - 2675 - 000		1	PLATE, BIAS	
13	FB3 - 2679 - 000		1	ROD, STIRRING	
14	FB3 - 2681 - 000		1	SUPPORT, GEAR	
15	FB3 - 2684 - 000		1	COVER, SLIDE	
16	FB3 - 2686 - 000		1	COVER, DEVELOPING, FRONT	MODEL A
	FB4 - 5381 - 000		1	COVER, DEVELOPING, FRONT	MODEL B
17	FB3 - 2687 - 000		1	LOCK, REAR, LEFT	
18	FB3 - 2688 - 000		1	LOCK, REAR, RIGHT	
19	FB3 - 2695 - 000		1	PLATE, BLADE POSITIONING	
20	FB3 - 2712 - 000		2	SHAFT, AUXILIARY	
21	FF3 - 1303 - 000		1	CABLE, TONER SENSOR	J40,41
22	FF5 - 4478 - 000		1	CASE, DEVELOPING	
22 A	FB3 - 2691 - 000		1	SEAL, DEVELOPING, FRONT	
22 B	FB3 - 2692 - 000		1	SEAL, DEVELOPING, REAR	
22 C	FB3 - 2693 - 000		2	SEAL, DEVELOPING, SIDE	

FIGURE & KEY NO.	PART NUMBER	RANK	QTY	DESCRIPTION	SERIAL NUMBER / REMARKS
640 - 22 D	FB3 - 2696 - 000		1	SEAL, RIB	
22 E	FB3 - 2697 - 000		1	SEAL, DEVELOPING, BACK SIDE	
22 F	X71 - 9310 - 000		1	SEAL, OIL	
22 G	XG9 - 0111 - 000		1	SEAL, OIL	
23	FF5 - 4479 - 000		1	MOUNT, BLADE ATTACHMENT	
23 A	FB1 - 8142 - 000		6	SHEET	
23 B	FB3 - 2674 - 000		1	SHEET, SEPARATION PLATE	
23 C	FB3 - 2690 - 000		1	SEAL, BLADE	
24	FF5 - 4480 - 000		1	HOLDER, SLEEVE, FRONT	
24 A	FB1 - 6715 - 000		1	SHEET, CLEANING	
25	FF5 - 4481 - 000		1	HOLDER, SLEEVE, REAR	
25 A	FB1 - 6715 - 000		1	SHEET, CLEANING	
26	FF5 - 4482 - 020		1	ROD, STIRRING	
26 A	FB3 - 2680 - 000		4	SHEET, STIRRING, 1	
26 B	FB3 - 2709 - 000		1	SHEET, STIRRING, 4	
27	FF5 - 4483 - 000		1	COVER, HOPPER, UPPER	
27 A	FB1 - 6712 - 000		2	SEAL, HOPPER, SIDE	
28	FF5 - 4485 - 000		1	COVER, HOPPER, LOWER	
28 A	FB3 - 2703 - 020		1	SEAL, HOPPER, FRONT	
28 B	FB3 - 2710 - 000		1	SEAL, HOPPER, REAR	
29	FF5 - 4550 - 000		1	COVER, BUFFER	
29 A	FB3 - 2705 - 000		1	SEAL, BUFFER	
30	FG5 - 6222 - 000		1	DEVELOPING CYLINDER UNIT	100V
	FG5 - 8705 - 030		1	DEVELOPING CYLINDER UNIT	120/220/240V
31	FH7 - 7422 - 000		1	SENSOR, TONER	TS1 J41
32	FS1 - 1594 - 000		1	BUSHING	
33	FS5 - 0360 - 000		1	GEAR, 48T	
34	FS5 - 1212 - 000		1	BUSHING	
35	FS5 - 2306 - 000		2	SPRING, COMPRESSION	
36	FS5 - 6447 - 000		2	ROLLER, 1	100V

FIGURE & KEY NO.	PART NUMBER	R A N K	Q' T Y	DESCRIPTION	SERIAL NUMBER / REMARKS
640 - 36	FS5 - 6448 - 000		2	ROLLER, 1	120/220/240V
37	FS6 - 0552 - 000		1	GEAR, 16T/20T	
38	FS6 - 0553 - 000		3	GEAR, 15T/48T	
39	FS6 - 0579 - 000		1	GEAR, 26T	
40	FS6 - 0580 - 000		1	GEAR, 24T	
41	FS6 - 0592 - 000		1	GEAR, 14T	
42	FS6 - 2318 - 000		2	SPRING, COMPRESSION	
43	XA9 - 0591 - 000		12	SCREW,M3X8	
44	XA9 - 0714 - 000		4	SCREW,M3X4	
45	XD9 - 0131 - 000		1	RING,E	
46	XG9 - 0218 - 000		2	BEARING, BALL	
47	XG9 - 0262 - 000		1	BEARING, BALL, SUJ-2 P0 6MM	
501	XB1 - 2300 - 409		2	SCREW,MACH.,TRUSS HEAD,M3X4	
502	XB1 - 2300 - 605		1	SCREW,MACH.,TRUSS HEAD,M3X6	
503	XB1 - 2300 - 805		2	SCREW,MACH.,TRUSS HEAD,M3X8	
504	XB4 - 7301 - 609		4	SCREW,TAPPING,TRUSS HEAD,M3X16	
505	XD2 - 2100 - 802		1	RING,GRIP	

FIGURE 810 FIXING ASSEMBLY

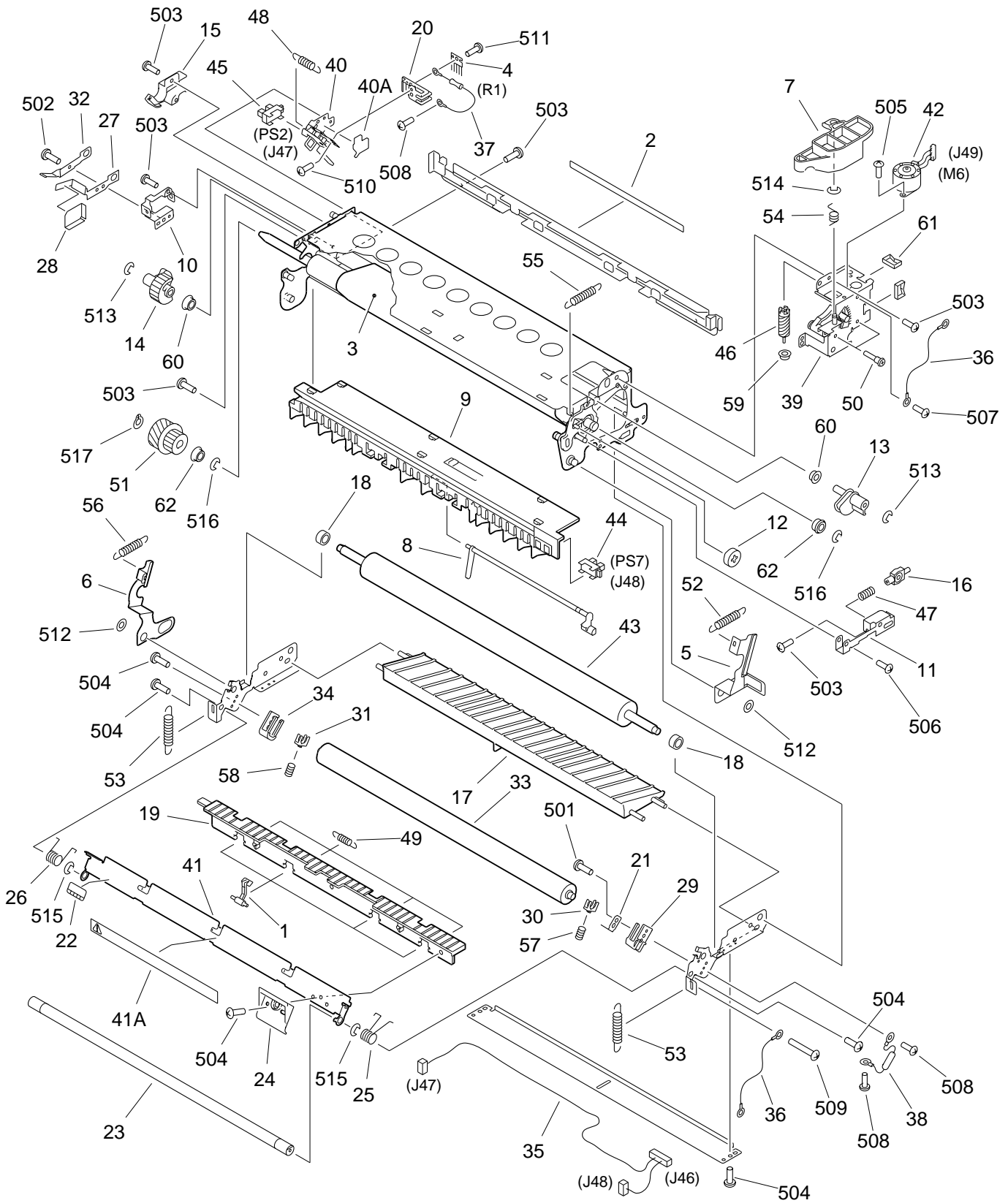


FIGURE & KEY NO.	PART NUMBER	R A N K	Q' T Y	DESCRIPTION	SERIAL NUMBER / REMARKS
810 - 1 2	FG5 - 6261 - 370		1	FIXING ASSEMBLY	100V
	FG5 - 6325 - 370		1	FIXING ASSEMBLY	120V
	FG5 - 6326 - 360		1	FIXING ASSEMBLY	220/240V
	FB1 - 7275 - 000		4	CLAW, SEPARATION	
	FB1 - 9267 - 000		1	LABEL, "WARNING, HIGH TEMP."	
3	FB2 - 2282 - 000		1	FILM	
4	FB2 - 2284 - 020		1	ELIMINATOR, STATIC CHARGE	
5	FB3 - 3037 - 000		1	LEVER, PRESSURE RELEASE, FRONT	
6	FB3 - 3038 - 000		1	LEVER, PRESSURE RELEASE, REAR	
7	FB3 - 3039 - 040		1	BLOCK, CAM STOP	
8	FB3 - 3040 - 000		1	LEVER, DELIVERY SENSING	
9	FB3 - 3044 - 020		1	GUIDE, DELIVERY, UPPER	
10	FB3 - 3045 - 000		1	MOUNT, TENSIONER SHAFT	
11	FB3 - 3052 - 000		1	ARM, TENSIONER SHAFT	
12	FB3 - 3053 - 000		1	SCREW, ADJUSTING	
13	FB3 - 3056 - 000		1	CAM, PRESSURE, FRONT	
14	FB3 - 3057 - 000		1	CAM, PRESSURE, REAR	
15	FB3 - 3060 - 000		1	GUIDE, CABLE, REAR	
16	FB3 - 3062 - 000		2	BUSHING, TENSIONER ROLLER	
17	FB3 - 3063 - 000		1	GUIDE, INLET	
18	FB3 - 3067 - 000		2	BEARING, BALL	
19	FB3 - 3069 - 000		1	GUIDE, DELIVERY, LOWER	
20	FB3 - 3075 - 000		1	HOLDER, STATIC CHARGE ELEM.	
21	FB3 - 3091 - 000		1	PLATE, ROLLER TERMINAL	
22	FB3 - 3092 - 000		1	LABEL, "H.V. RESISTOR"	
23	FB3 - 3093 - 000		1	SHAFT, FIXING PLATE	
24	FB3 - 3094 - 020		1	HANDLE, FIXING RELEASE	
25	FB3 - 3095 - 000		1	SPRING, TORSION, FRONT	
26	FB3 - 3096 - 000		1	SPRING, TORSION, REAR	
27	FB3 - 3099 - 000		1	RETAINER, CONNECTOR	

FIGURE & KEY NO.	PART NUMBER	R A N K	Q' T Y	DESCRIPTION	SERIAL NUMBER / REMARKS
810 - 28	FB3 - 3116 - 020		1	SHEET, INSULATING	
29	FB3 - 9620 - 000		1	MOUNT, HEATSINK ROLLER, FRONT	
30	FB3 - 9635 - 000		1	BUSHING, CLEANING ROLLER	
31	FB3 - 9635 - 000		1	BUSHING, CLEANING ROLLER	
32	FB3 - 9663 - 000		1	RETAINER, CONNCTOR	
33	FB4 - 0953 - 000		1	ROLLER, CLEANING	
34	FB4 - 0957 - 000		1	MOUNT, HEATSINK ROLLER, REAR	
35	FF3 - 1179 - 000		1	CABLE, FIXING SENSOR	
36	FF3 - 1183 - 000		2	CABLE, GROUNDING	
37	FF3 - 1194 - 000		1	H.V. RESISTOR, 600MOHM, 1/2W	100V
	FF3 - 1325 - 000		1	H.V. RESISTOR, 6.2MOHM, 1/2W	120/220/240V
38	FF3 - 2028 - 000		1	H.V. RESISTOR, 200MOHM, 1/2W	
39	FF5 - 4468 - 020		1	MOUNT, MOTOR	
40	FF5 - 4469 - 000		1	LEVER, POSITIONING SENSOR	
40 A	FB3 - 3098 - 000		1	SHEET, INSULATION	
41	FF5 - 4545 - 000		1	SUPPORT, DELIVERY GUIDE	
41 A	RS5 - 8380 - 000		1	LABEL, "WARNING HIGH TEMP."	
42	FF5 - 4563 - 000		1	MOTOR, STEPPING	M6 J49
43	FF5 - 6207 - 000		1	ROLLER, PRESSURE	
44	FH7 - 7326 - 000		1	PHOTO-INTERRUPTER	PS7 J48
45	FH7 - 7326 - 000		1	PHOTO-INTERRUPTER	PS2 J47
46	FS5 - 0799 - 000		1	GEAR, WORM	
47	FS5 - 2658 - 000		2	SPRING, COMPRESSION	
48	FS5 - 2659 - 000		1	SPRING, TENSION	
49	FS5 - 2662 - 000		4	SPRING, TENSION	
50	FS5 - 9231 - 000		2	PIN, SCREW, M2.6X3	
51	FS6 - 0548 - 000		1	GEAR, 16T/25T	
52	FS6 - 2300 - 000		1	SPRING, TENSION	
53	FS6 - 2301 - 020		2	SPRING, TENSION	
54	FS6 - 2302 - 000		1	SPRING, TORSION	

FIGURE & KEY NO.	PART NUMBER	RANK	QTY	DESCRIPTION	SERIAL NUMBER / REMARKS
810 - 55	FS6 - 2303 - 000		1	SPRING, TENSION	
56	FS6 - 2343 - 000		1	SPRING, TENSION	
57	FS6 - 2345 - 000		1	SPRING, COMPRESSION	
58	FS6 - 2345 - 000		1	SPRING, COMPRESSION	
59	RS1 - 1020 - 000		1	BUSHING	
60	RS1 - 1042 - 000		2	BUSHING	
61	WT2 - 5498 - 000		1	CLIP, CABLE	
62	XG9 - 0286 - 000		2	BEARING, BALL	
501	XB1 - 2200 - 407		1	SCREW,MACH.,TRUSS HEAD,M2X4	
502	XB1 - 2300 - 509		1	SCREW,MACH.,TRUSS HEAD,M3X5	
503	XB1 - 2300 - 509		17	SCREW,MACH.,TRUSS HEAD,M3X5	
504	XB1 - 2300 - 509		2	SCREW,MACH.,TRUSS HEAD,M3X5	
505	XB1 - 2300 - 509		7	SCREW,MACH.,TRUSS HEAD,M3X5	
506	XB1 - 2400 - 609		1	SCREW,MACH.,TRUSS HEAD,M4X6	
507	XB2 - 7300 - 606		1	SCREW,W/WASHER,M3X6	
508	XB2 - 7300 - 606		2	SCREW,W/WASHER,M3X6	
509	XB2 - 7301 - 206		1	SCREW,W/WASHER,M3X12	
510	XB2 - 8300 - 607		1	SCREW,W/WASHER,M3X6	
511	XB2 - 8300 - 607		1	SCREW,W/WASHER,M3X6	
512	XD1 - 1106 - 225		2	SHIM	
513	XD2 - 1100 - 322		3	RING,E	
514	XD2 - 1100 - 322		1	RING,E	
515	XD2 - 1100 - 502		2	RING,E	
516	XD2 - 1100 - 642		2	RING,E	
517	XD2 - 2100 - 802		1	RING,GRIP	

FIGURE 900 PCB LOCATION DIAGRAM(1/2)

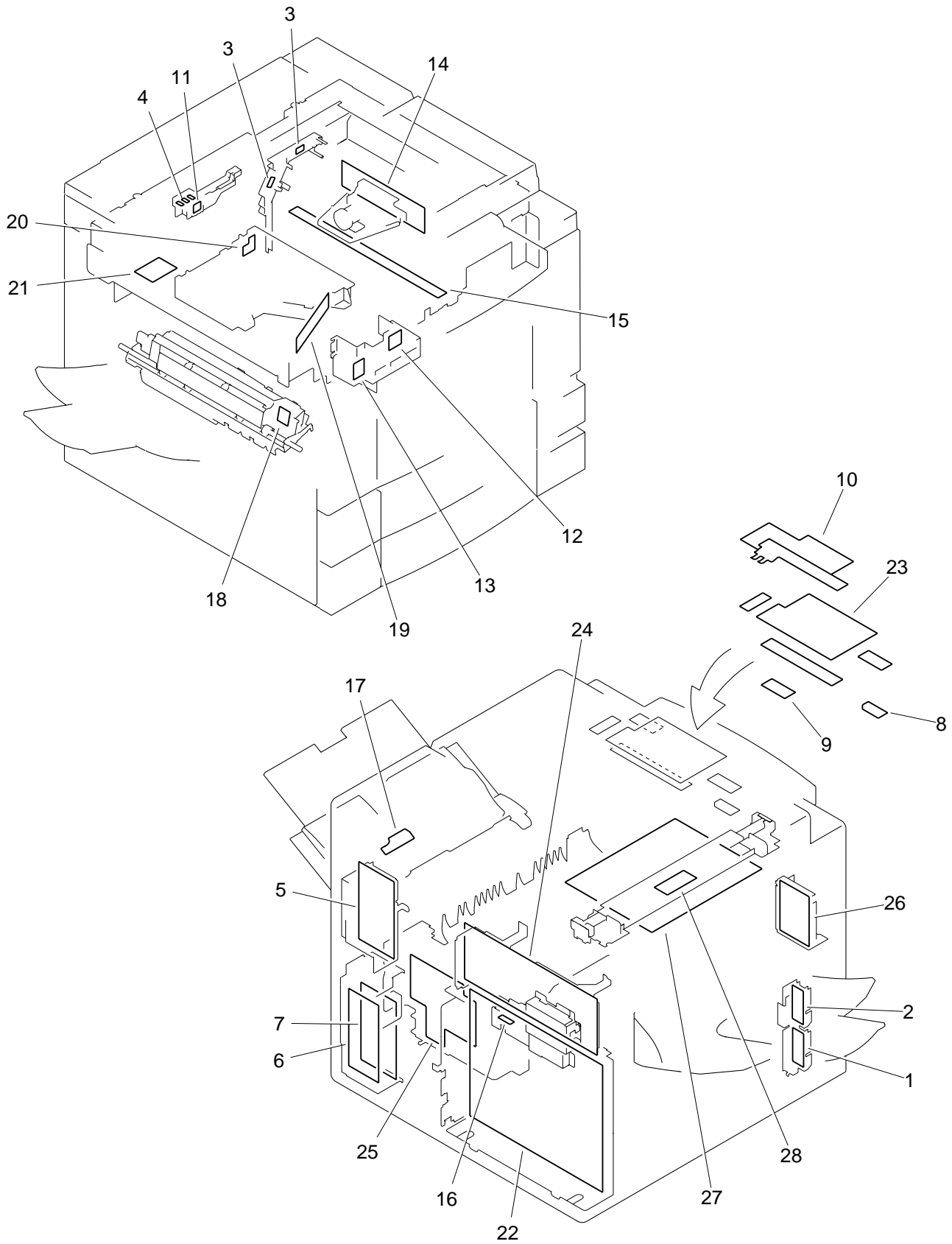
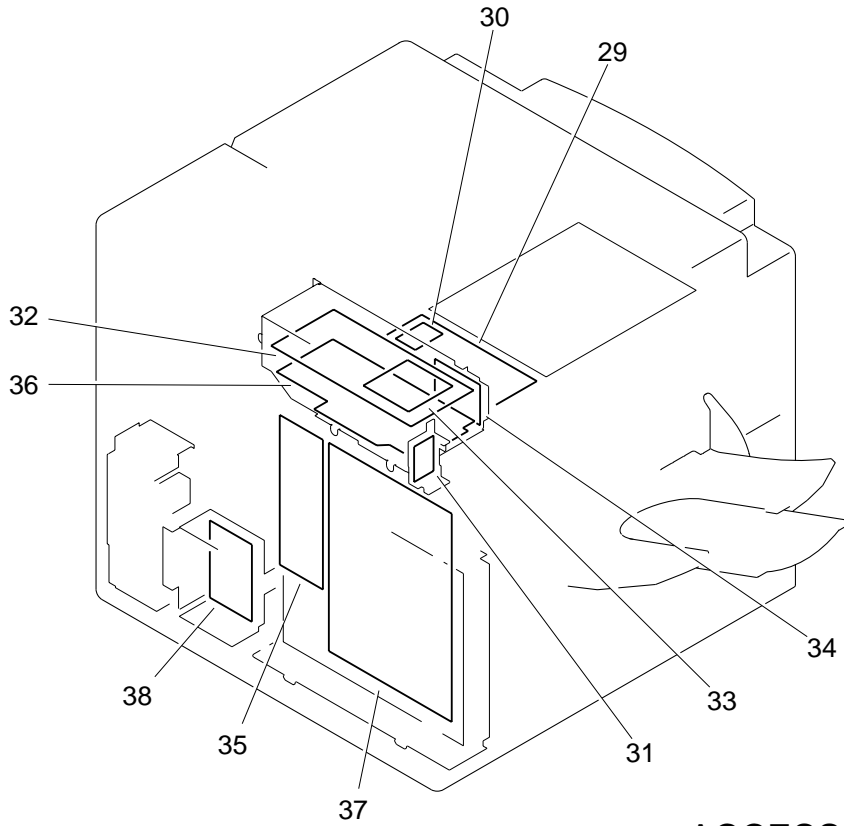


FIGURE 900 PCB LOCATION DIAGRAM(2/2)



ACCESSORIES

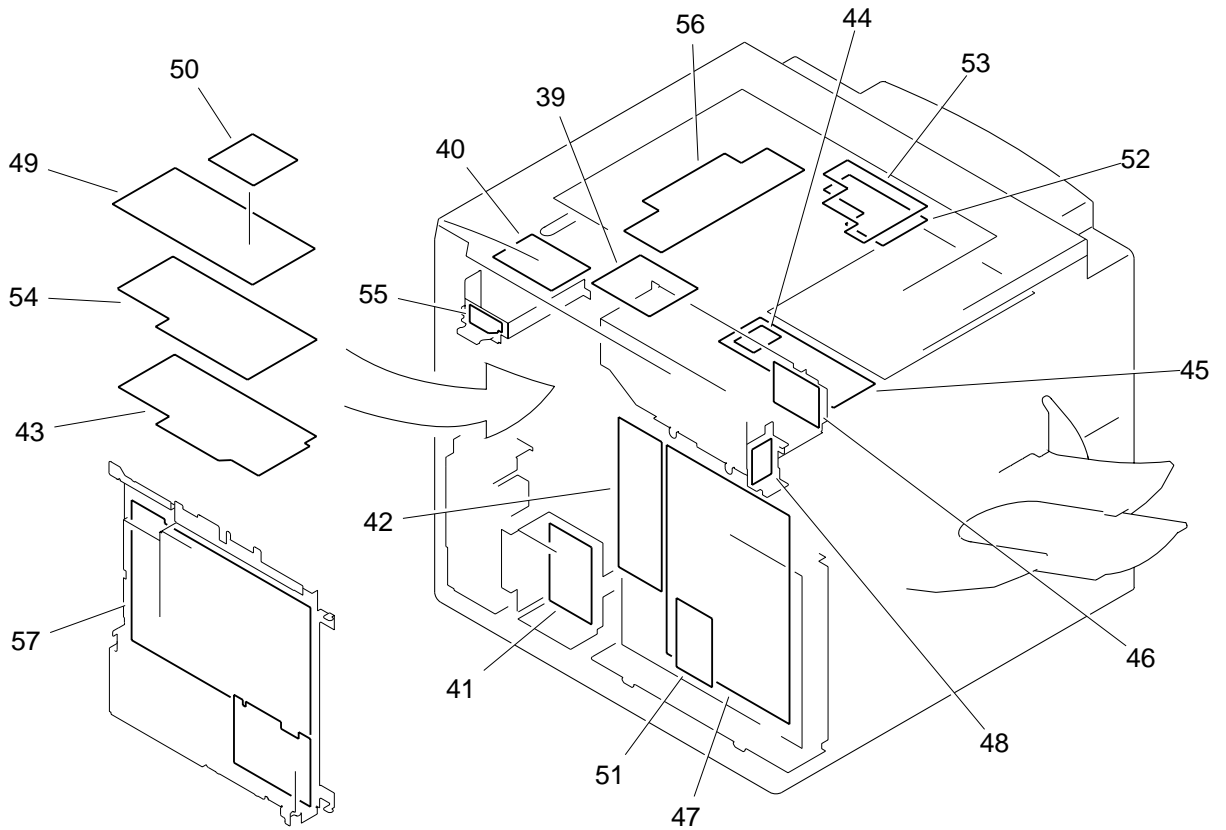
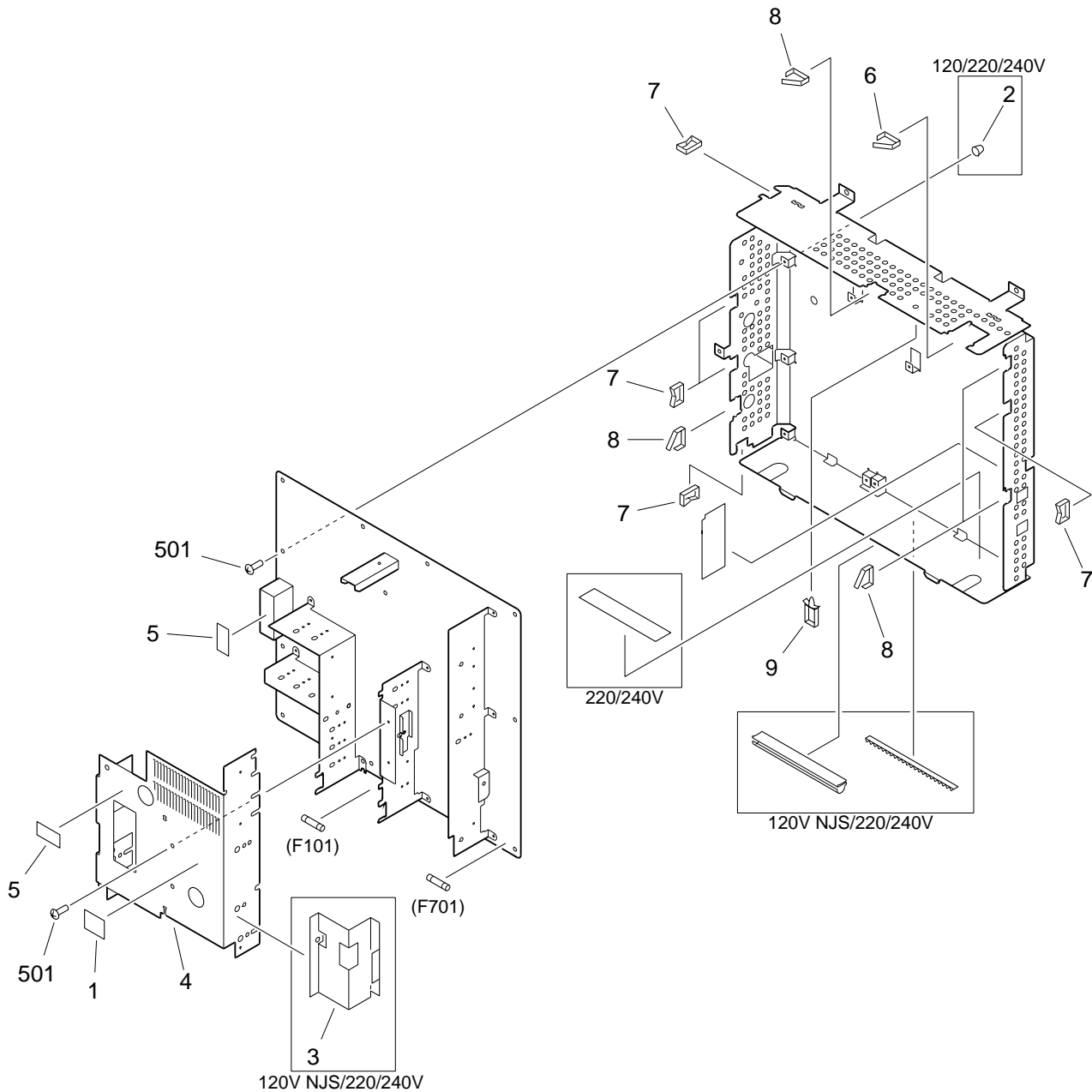


FIGURE & KEY NO.	PART NUMBER	RANK	QTY	DESCRIPTION	SERIAL NUMBER / REMARKS
900 -	NPN		RF	PCB LOCATION DIAGRAM	
1	PCB		RF	LOWER C. SIZE SENSOR PCB ASS'Y	FIGURE 101-17F
2	PCB		RF	UPPER C. SIZE SENSOR PCB ASS'Y	FIGURE 101-17G
3	PCB		RF	DEV. BIAS CONNECTING PCB ASS'Y	FIGURE 104-NPN
4	PCB		RF	TRANSFER CONNECTOR PCB ASS'Y	FIGURE 104-NPN
5	PCB		RF	APC POWER SUPPLY PCB ASSEMBLY	FIGURE 104-36
6	PCB		RF	NOISE FILTER PCB ASSEMBLY	FIGURE 110-4 FIGURE 111-8
7	PCB		RF	FILTER PCB ASSEMBLY	FIGURE 111-8C
8	PCB		RF	CONT. PANEL INVERTER PCB ASS'Y	FIGURE 130-28
9	PCB		RF	RS232C END PCB ASSEMBLY	FIGURE 130-30
10	PCB		RF	MEMBRANE SWITCH PCB ASSEMBLY	FIGURE 130-31
11	PCB		RF	DRUM SENSOR PCB ASSEMBLY	FIGURE 104-39
12	PCB		RF	SERVICE SWITCH PCB ASSEMBLY	FIGURE 180-9
13	PCB		RF	CONTROL PANEL VOLUME PCB ASS'Y	FIGURE 180-10
14	PCB		RF	CCD/ANALOG PROCESSOR PCB ASS'Y	FIGURE 210-57
15	PCB		RF	PRECONDITIONING LAMP PCB ASS'Y	FIGURE 210-58
16	PCB		RF	FIXING BIAS CONECT PCB ASS'Y	FIGURE 280-11
17	PCB		RF	MULTI PAPER SIZE PCB ASSEMBLY	FIGURE 326-11
18	PCB		RF	FAN DRIVER PCB ASSEMBLY	FIGURE 336-8
19	PCB		RF	LASER DRIVER PCB ASSEMBLY	FIGURE 460-3
20	PCB		RF	BEAM DETECTOR IC PCB ASSEMBLY	FIGURE 460-4
21	PCB		RF	POLYGON MOTOR DRIVER PCB ASS'Y	FIGURE 460-5
22	PCB		RF	DC POWER SUPPLY PCB ASSEMBLY	FIGURE 910
23	PCB		RF	CONTROL PANEL CPU PCB ASSEMBLY	FIGURE 920
24	PCB		RF	DC CONTROLLER PCB ASSEMBLY	FIGURE 930
25	PCB		RF	PAPER PICK-UP PCB ASSEMBLY	FIGURE 940
26	PCB		RF	FIXING HEATER DRIVER PCB ASS'Y	FIGURE 101-14
27	PCB		RF	IMAGE PROCESSOR PCB ASSEMBLY	FIGURE 950
28	PCB		RF	INTENSITY SENSOR PCB ASSEMBLY	FIGURE 400-22
29	PCB		RF	CORE IMAGE PROCESSOR PCB ASS'Y	FIGURE 990

FIGURE & KEY NO.	PART NUMBER	RANK	QTY	DESCRIPTION	SERIAL NUMBER / REMARKS
900 - 30	PCB		RF	CIST PCB ASSEMBLY	FIGURE 990-2
31	PCB		RF	MODULAR PCB ASSEMBLY	FIGURE 991-16
32	PCB		RF	FAX BOARD PCB ASSEMBLY	FIGURE 992
33	PCB		RF	NCU BOARD PCB ASSEMBLY	FIGURE 993
34	PCB		RF	FAX MOTHER BOARD PCB ASSEMBLY	FIGURE 991-9 FIGURE 995-8
35	PCB		RF	SYSTEM MOTHER BOARD PCB ASS'Y	FIGURE 996-3 FIGURE 997-3
36	PCB		RF	PROTOCOL CONTROL PCB ASSEMBLY	FIGURE 996-4 FIGURE 997-4
37	PCB		RF	MULTI PDL PRINTER BOARD PCB	FIGURE 988
	PCB		RF	LIPS PRINTER BOARD PCB ASS'Y	FIGURE 989
38	PCB		RF	SYSTEM POWER SUPPLY ASSEMBLY	FIGURE 996-5 FIGURE 997-5
39	PCB		RF	EDITOR DC CONTROLLER PCB ASS'Y	SEE ACCESSORY FIGURE C93
40	PCB		RF	EDITOR CONVERTER PCB ASSEMBLY	SEE ACCESSORY FIGURE C96
41	PCB		RF	SYSTEM POWER SUPPLY ASSEMBLY	SEE ACCESSORY FIGURE F11
42	PCB		RF	SYSTEM MOTHER BOARD PCB ASS'Y	FIGURE F13-6 FIGURE F14-2 SEE ACCESSORY FIGURE F10-3
43	PCB		RF	PROTOCOL CONTROL PCB ASSEMBLY	FIGURE F13-3 SEE ACCESSORY FIGURE F91 FIGURE F13-5
	PCB		RF	EXPANSION BOARD PCB ASSEMBLY	SEE ACCESSORY FIGURE F93
44	PCB		RF	CIST PCB ASSEMBLY	SEE ACCESSORY FIGURE F92
45	PCB		RF	CORE IMAGE PROCESSOR PCB ASS'Y	FIGURE F13-4 FIGURE F14-1 SEE ACCESSORY FIGURE F12-8
46	PCB		RF	FAX MOTHER BOARD PCB ASSEMBLY	SEE ACCESSORY FIGURE F12-9
47	PCB		RF	MULTI PDL PRINTER BOARD-B1 PCB	SEE ACCESSORY FIGURE F94,K90
	PCB		RF	PRINTER BOARD-P3 PCB ASSEMBLY	SEE ACCESSORY FIGURE F95,K91
	PCB		RF	PS PRINTER BOARD-B1 PCB ASS'Y	SEE ACCESSORY FIGURE K92
	PCB		RF	LIPS PRINTER BOARD-B1 PCB	SEE ACCESSORY FIGURE U90
48	PCB		RF	MODULAR PCB ASSEMBLY	SEE ACCESSORY FIGURE G10-3,G11-3
49	PCB		RF	FAX BOARD PCB ASSEMBLY	SEE ACCESSORY FIGURE G90,G92
50	PCB		RF	NCU BOARD PCB ASSEMBLY	SEE ACCESSORY FIGURE G91,G93

FIGURE & KEY NO.	PART NUMBER	RANK	QTY	DESCRIPTION	SERIAL NUMBER / REMARKS
900 - 51	PCB		RF	KANJI ROM BOARD PCB ASSEMBLY	SEE ACCESSORY FIGURE K95
52	PCB		RF	IMAGE EDIT. BOARD X PCB ASS'Y	SEE ACCESSORY FIGURE M90
53	PCB		RF	IMAGE EDIT. BOARD Y PCB ASS'Y	SEE ACCESSORY FIGURE M91
54	PCB		RF	NETWORK I/F BOARD-E3 PCB	SEE ACCESSORY FIGURE V90
	PCB		RF	NETWORK I/F BOARD-E3e PCB	SEE ACCESSORY FIGURE V92
	PCB		RF	NETWORK I/F BOARD-TR3 PCB	SEE ACCESSORY FIGURE V94
55	PCB		RF	SCSI CONNECT BOARD PCB ASS'Y	SEE ACCESSORY FIGURE Y10-3
56	PCB		RF	SCSI INTERFACE BOARD PCB ASS'Y	SEE ACCESSORY FIGURE Y90
57	PCB		RF	PS NETWORK PRINTER BOARD-C1	SEE ACCESSORY FIGURE F96
	PCB		RF	NETWORK MULTI-PDL P. BOARD-D1	SEE ACCESSORY FIGURE F97
	PCB		RF	NETWORK PRINTER BOARD-E1	SEE ACCESSORY FIGURE F98

FIGURE 910 DC POWER SUPPLY PCB ASSEMBLY



NOTE: This assembly does not include the parts shown with key No. 3, 6, 7 and 8.

FIGURE & KEY NO.	PART NUMBER	RANK	QTY	DESCRIPTION	SERIAL NUMBER / REMARKS
910 - 1	FG5 - 6200 - 030		1	DC POWER SUPPLY PCB ASSEMBLY	100V
	FG5 - 6207 - 000		1	DC POWER SUPPLY PCB ASSEMBLY	120V
	FG5 - 6331 - 070		1	DC POWER SUPPLY PCB ASSEMBLY	220/240V
	FA9 - 0029 - 000		1	LABEL, "VOLTAGE"	100V
	FA9 - 0023 - 000		1	LABEL, "VOLTAGE"	120V

2 3 4 5	FC1 - 2234 - 000		1	LABEL, "VOLTAGE"	220/240V
	FA9 - 1800 - 000		9	CUP	120/220/240V
	FB3 - 2375 - 000		1	SHEET, PARTITION	SEE NOTE 120V NJS/220/240V
	FB3 - 2628 - 000		1	PLATE, HEATSINK	
	ME1 - 0008 - 000		2	LABEL, "HIGH VOLTAGE"	

6 7 8 9 5 0 1	WT2 - 0491 - 000		1	CLIP, CABLE	SEE NOTE
	WT2 - 5011 - 000		AR	CLIP, CABLE	SEE NOTE
	WT2 - 5031 - 000		4	CLIP, WIRE	SEE NOTE
	WT2 - 5496 - 000		1	CLAMP, CABLE	
	XB1 - 2300 - 607		11	SCREW, MACH., TRUSS HEAD, M3X6	

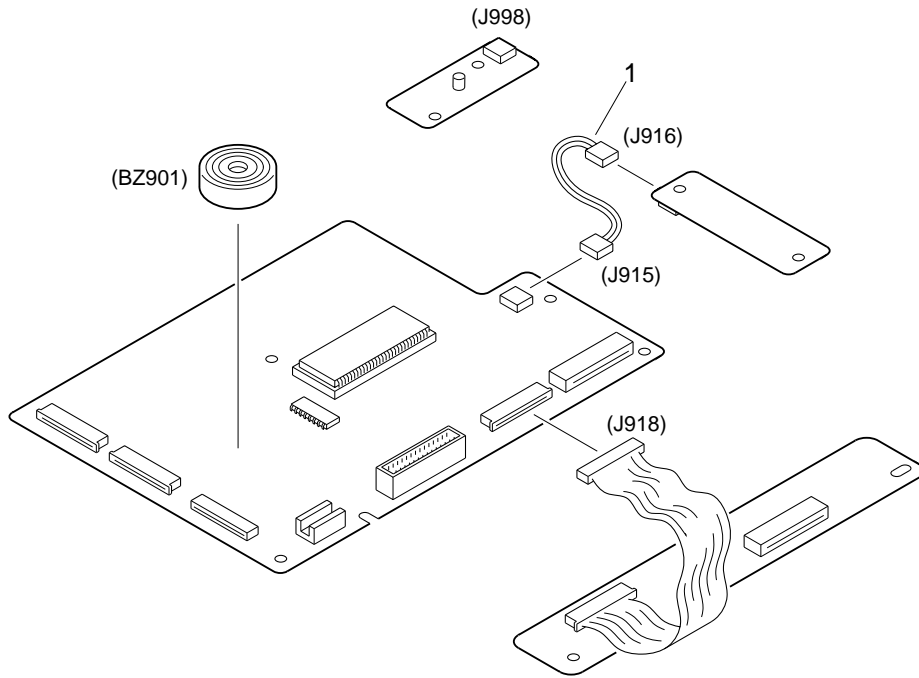
F 1 0 1 F 7 0 1 F H L D 1 0 1	VD7 - 0218 - 001		1	FUSE, 125V, 8A	100/120V
	VD7 - 0644 - 001		1	FUSE, 250V, 4A	220/240V
	VD7 - 0218 - 001		1	FUSE, 125V, 8A	100/120V
	VD7 - 0644 - 001		1	FUSE, 250V, 4A	220/240V
F H L D 1 0 1	WD9 - 5037 - 000		2	HOLDER, FUSE, H-0060	

F H L D 7 0 1 J P H V H 1 J P H V L 1 J P M V H 1 L 1 0 1	WD9 - 5037 - 000		2	HOLDER, FUSE, H-0060	
	FF3 - 1200 - 000		1	CABLE, HIGH VOLTAGE, H	
	FF3 - 1201 - 000		1	CABLE, HIGH VOLTAGE, L	
	FF3 - 1202 - 000		1	CABLE, MV, H	
	FH6 - 3362 - 000		1	COIL, 8MH, 4A	220/240V

L 2 0 1 L 5 0 1 L 7 0 2 Q 6 0 5 R 3 0 4	FH3 - 0658 - 000		1	TRANSFORMER	
	FH3 - 7165 - 000		1	INDUCTOR	
	FH3 - 7196 - 000		1	INDUCTOR	
	FH4 - 1253 - 030		1	IC, UPD18001CW-525, M-COMPUTOR	
	FH4 - 9169 - 000		1	RESISTOR, 44MOHM, 0.091W	

FIGURE & KEY NO.	PART NUMBER	RANK	QTY	DESCRIPTION	SERIAL NUMBER / REMARKS
910 - R417	FH4 - 9163 - 000		1	RESISTOR, 2MOHM, 0.85W	
RA400	FH4 - 9158 - 000		1	RESISTOR, 100KOHM, 1/6W	
T101	FH3 - 0804 - 000		1	TRANSFORMER, CONVERTER	100/120V
	FH3 - 0805 - 000		1	TRANSFORMER, CONVERTER	220/240V
T102	FH3 - 0667 - 000		1	TRANSFORMER	
T103	FH3 - 0713 - 000		1	TRANSFORMER	100/120V
	FH3 - 0714 - 000		1	TRANSFORMER	220/240V
T104	FH3 - 0665 - 000		1	TRANSFORMER	100/120V
	FH3 - 0666 - 000		1	TRANSFORMER	220/240V
T201	FH3 - 0668 - 000		1	TRANSFORMER	
T300	FH3 - 5221 - 000		1	TRANSFORMER	
T400	FH3 - 5222 - 000		1	TRANSFORMER	
T501	FH3 - 0821 - 000		1	TRANSFORMER	
T502	FH3 - 5223 - 000		1	TRANSFORMER	
T701	FH3 - 0806 - 000		1	TRANSFORMER, CONVERTER	100/120V
	FH3 - 0807 - 000		1	TRANSFORMER, CONVERTER	220/240V

FIGURE 920 CONTROL PANEL CPU PCB ASSEMBLY



NOTE: This assembly is included in the assembly shown in Figure 130.

FIGURE & KEY NO.	PART NUMBER	RANK	QTY	DESCRIPTION	SERIAL NUMBER / REMARKS
920 -	FG5 - 6299 - 040		1	CONTROL PANEL CPU PCB ASSEMBLY	SEE NOTE 100/120V EXCEPT NJS
	FG5 - 9049 - 030		1	CONTROL PANEL CPU PCB ASSEMBLY	SEE NOTE 120V NJS/220/240V
1	FF3 - 1308 - 000		1	CABLE, ONE-TOUCH	J915,916
BZ901	WR1 - 0055 - 000		1	BUZZER, PKB24SP-3301	
J917	FF3 - 1603 - 000		1	CABLE, RESISTOR PCB	J917,918
J920	FF3 - 1321 - 000		1	CABLE, THERMISTOR	
LED998	WG1 - 5301 - 000		1	LED, SEL6410E	
Q901	FH4 - 1281 - 030		1	IC, M38002M2-283SP, MCU	

FIGURE 930 DC CONTROLLER PCB ASSEMBLY

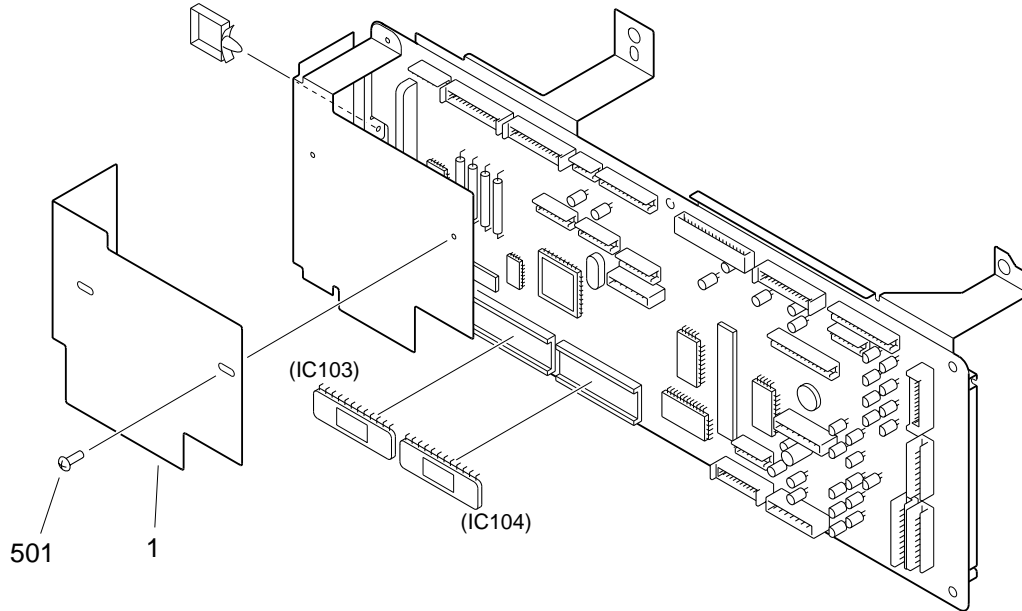
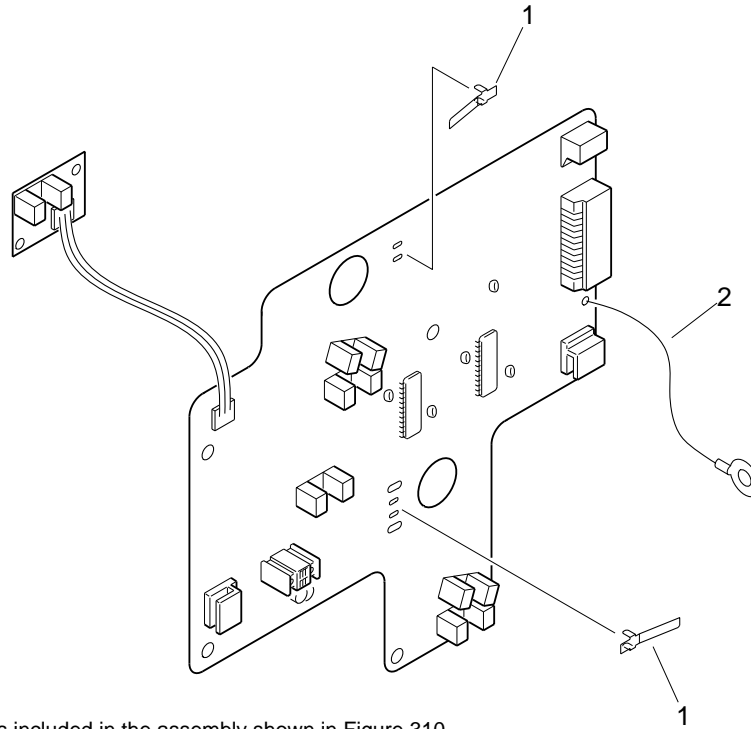


FIGURE & KEY NO.	PART NUMBER	RANK	QTY	DESCRIPTION	SERIAL NUMBER / REMARKS
930 -	FG5 - 6199 - 090		1	DC CONTROLLER PCB ASSEMBLY	100V
	FG5 - 8292 - 090		1	DC CONTROLLER PCB ASSEMBLY	120/220/240V
1	FB3 - 2608 - 000		1	PLATE, HEATSINK	
501	XB1 - 2300 - 607		4	SCREW,MACH.,TRUSS HEAD,M3X6	
FU1	VD7 - 1627 - 001		1	FUSE, 7A 60V	
FU2	VD7 - 1623 - 001		1	FUSE, 3A 60V	
IC102	FH4 - 5723 - 000		1	IC, TC140G12AF-0247,GATE ARRAY	
IC103	FF3 - 1161 - 370		1	IC, AM27C010-90DC, EP-ROM	
IC104	FF3 - 1162 - 370		1	IC, AM27C010-90DC, EP-ROM	
IC106	FH4 - 5489 - 000		1	IC, M65022FP, GATE ARRAY	
IC107	FH4 - 5489 - 000		1	IC, M65022FP, GATE ARRAY	
IC108	FH4 - 5560 - 000		1	IC, M38881M2-010GP, MCU	
LED100	WG1 - 5426 - 000		1	LED	

FIGURE 940 PAPER PICK-UP PCB ASSEMBLY



NOTE: This assembly is included in the assembly shown in Figure 310.

FIGURE & KEY NO.	PART NUMBER	RANK	QTY	DESCRIPTION	SERIAL NUMBER / REMARKS
940 -	FG5 - 6286 - 000		1	PAPER PICK-UP PCB ASSEMBLY	SEE NOTE
1	FB3 - 2872 - 000		2	SPRING, LEAF	
2	FF3 - 1168 - 000		1	CABLE, GROUNDING	
FU1601	VD5 - 0221 - 001		1	FUSE, 1A 48V	
Q1604	FH9 - 0585 - 000		1	PHOTO-INTERRUPTER	
Q1605	FH9 - 0585 - 000		1	PHOTO-INTERRUPTER	
Q1606	FH9 - 0585 - 000		1	PHOTO-INTERRUPTER	
Q1607	FH9 - 0585 - 000		1	PHOTO-INTERRUPTER	
Q1608	FH9 - 0585 - 000		1	PHOTO-INTERRUPTER	
Q1609	FH9 - 0585 - 000		1	PHOTO-INTERRUPTER	

FIGURE 950 IMAGE PROCESSOR PCB ASSEMBLY

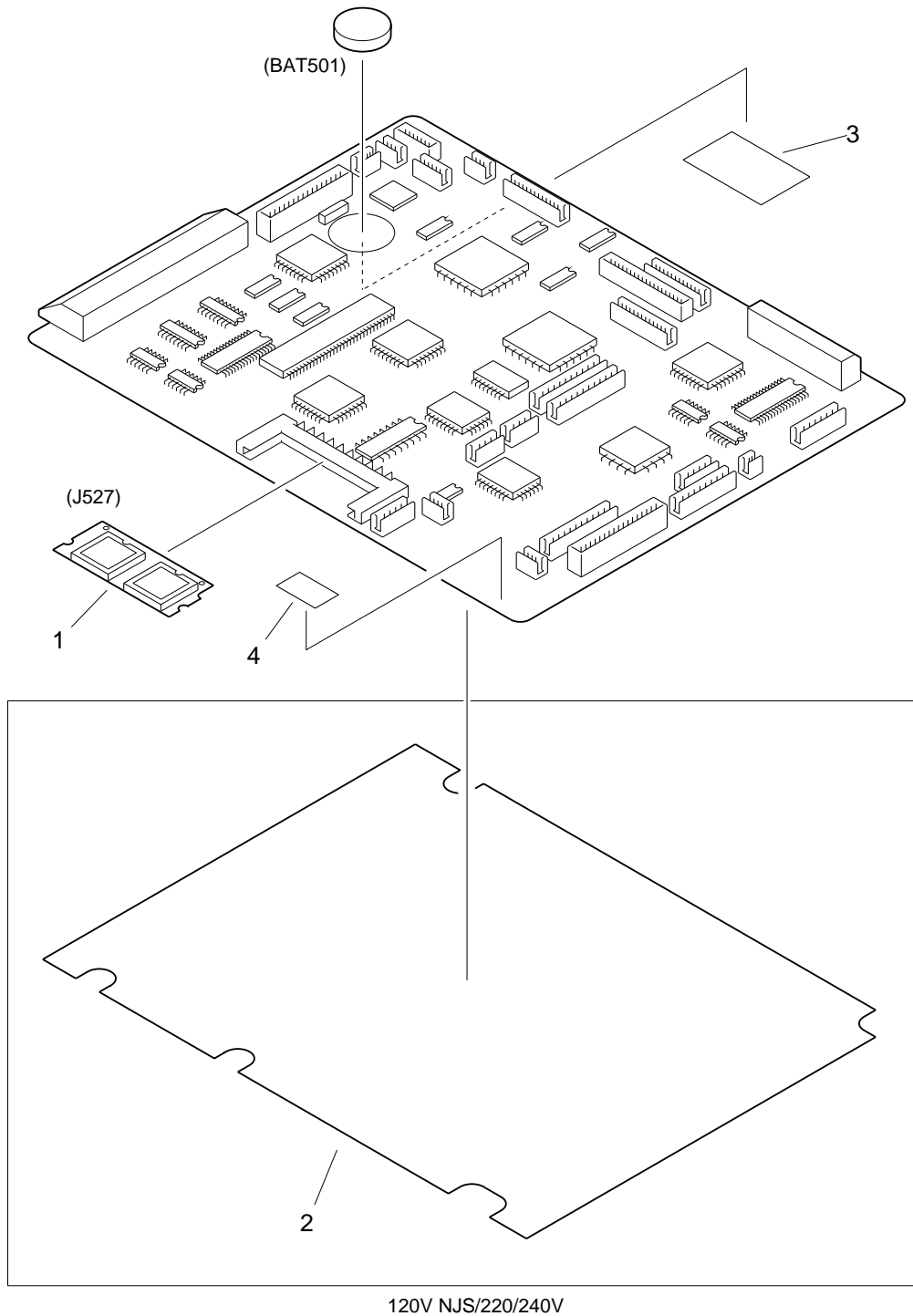
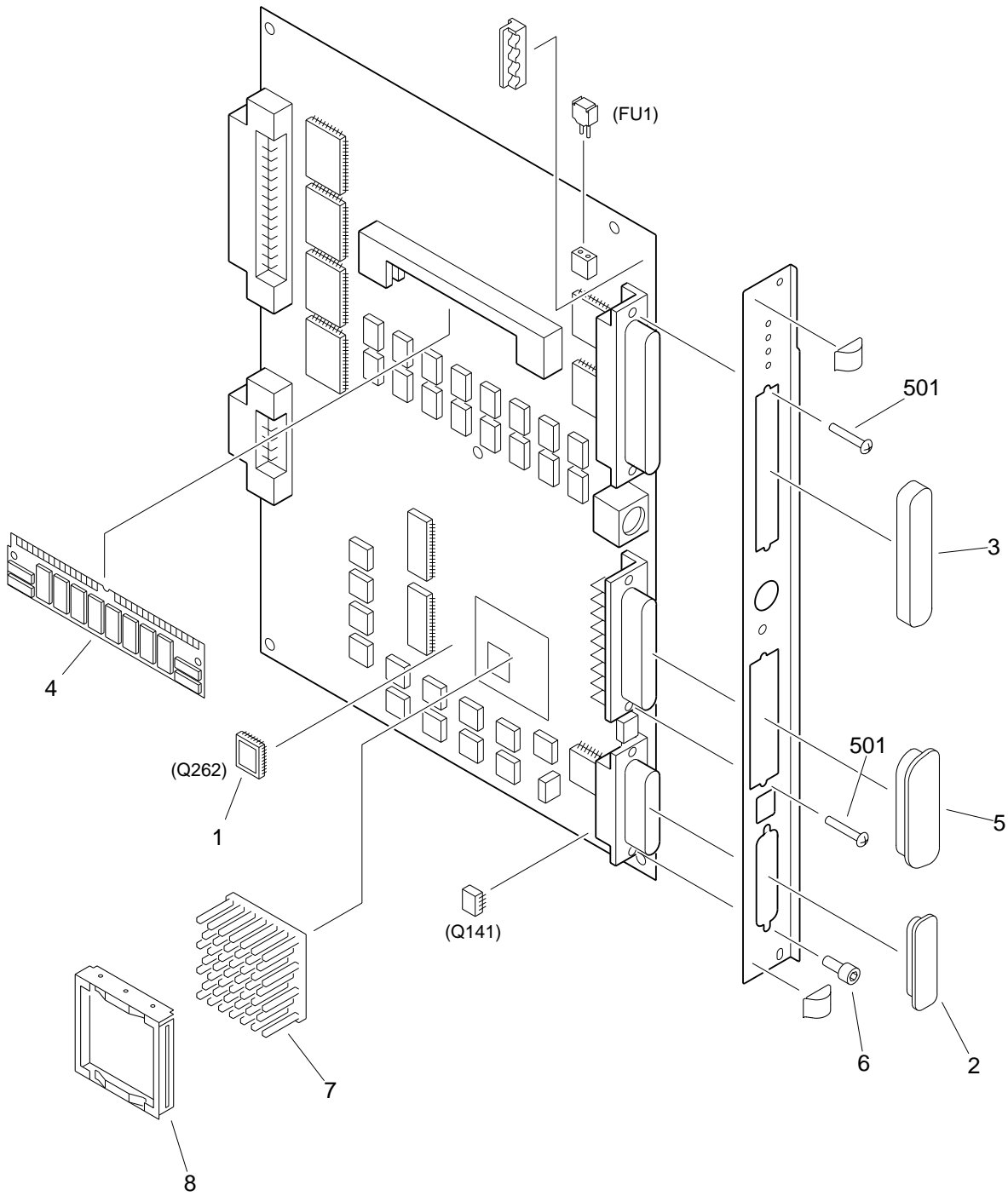


FIGURE & KEY NO.	PART NUMBER	RANK	QTY	DESCRIPTION	SERIAL NUMBER / REMARKS
950 -	FG5 - 6284 - 110		1	IMAGE PROCESSOR PCB ASSEMBLY	MODEL A JAPANESE LDW,LDY,LEP JAPANESE LGC,LGD,LGE
	FG5 - 8691 - 000		1	IMAGE PROCESSOR PCB ASSEMBLY	MODEL A ITALIAN UBY,UBZ,PDG
	FG5 - 8690 - 000		1	IMAGE PROCESSOR PCB ASSEMBLY	MODEL A ENGLISH PTC
	FG5 - 9003 - 000		1	IMAGE PROCESSOR PCB ASSEMBLY	MODEL A ENGLISH QFY,UFY,QDG
					ENGLISH UDG
	FG5 - 9254 - 000		1	IMAGE PROCESSOR PCB ASSEMBLY	MODEL A ENGLISH RBH
	FG5 - 6280 - 140		1	IMAGE PROCESSOR PCB ASSEMBLY	MODEL A ENGLISH NFY,NFZ
	FG5 - 6282 - 100		1	IMAGE PROCESSOR PCB ASSEMBLY	MODEL A FRENCH SFY,SFZ,SDG
	FG5 - 6281 - 090		1	IMAGE PROCESSOR PCB ASSEMBLY	MODEL A GERMAN TFY,FDG
	FG6 - 1153 - 030		1	IMAGE PROCESSOR PCB ASSEMBLY	MODEL B JAPANESE LHU,LHW,LHX JAPANESE LJQ,LHV,LHZ
	FG6 - 1161 - 020		1	IMAGE PROCESSOR PCB ASSEMBLY	MODEL B ITALIAN PGP,PGR,PGQ ITALIAN PLZ
	FG6 - 1658 - 000		1	IMAGE PROCESSOR PCB ASSEMBLY	MODEL B ENGLISH NJS
	FG6 - 1155 - 000		1	IMAGE PROCESSOR PCB ASSEMBLY	MODEL B ENGLISH PGS,PHB
	FG6 - 1156 - 020		1	IMAGE PROCESSOR PCB ASSEMBLY	MODEL B ENGLISH QCH,UDY,QCJ ENGLISH UED
	FG6 - 1157 - 020		1	IMAGE PROCESSOR PCB ASSEMBLY	MODEL B ENGLISH RBQ,RCN
	FG6 - 1154 - 020		1	IMAGE PROCESSOR PCB ASSEMBLY	MODEL B ENGLISH NJY,NJQ,NJP
	FG6 - 1163 - 000		1	IMAGE PROCESSOR PCB ASSEMBLY	MODEL B ENGLISH NKM
	FG6 - 1158 - 020		1	IMAGE PROCESSOR PCB ASSEMBLY	MODEL B FRENCH SBL,SBN,SBM FRENCH SBP
	FG6 - 1159 - 020		1	IMAGE PROCESSOR PCB ASSEMBLY	MODEL B GERMAN TBN,TBP
1	FG5 - 6285 - 490		1	FLASH MEMORY PCB UNIT	MODEL A JAPANESE LDW,LDY,LEP
					JAPANESE LGC,LGD,LGE
	FG5 - 8692 - 450		1	FLASH MEMORY PCB UNIT	MODEL A ITALIAN UBY,UBZ,PDG
	FG5 - 9000 - 450		1	FLASH MEMORY PCB UNIT	MODEL A ENGLISH PTC,QFY,UFY ENGLISH QDG,UDG,RBH
	FG5 - 6283 - 490		1	FLASH MEMORY PCB UNIT	MODEL A ENGLISH NFY,NFZ

FIGURE & KEY NO.	PART NUMBER	RANK	QTY	DESCRIPTION	SERIAL NUMBER / REMARKS
950 - 1	FG5 - 7114 - 450		1	FLASH MEMORY PCB UNIT	MODEL A FRENCH SFY,SFZ,SDG
	FG5 - 7113 - 450		1	FLASH MEMORY PCB UNIT	MODEL A GERMAN TFY,FDG
	FG2 - 9718 - 000		1	FLASH MEMORY PCB ASSEMBLY	MODEL B JAPANESE LHU,LHW,LHX JAPANESE LJQ,LHV,LHZ
	FG6 - 1668 - 580		1	FLASH MEMORY PCB ASSEMBLY	MODEL B ITALIAN PGP,PGR,PGQ
					ITALIAN PLZ
	FG6 - 1659 - 000		1	FLASH MEMORY PCB ASSEMBLY	MODEL B ENGLISH NJS
	FG6 - 1662 - 580		1	FLASH MEMORY PCB ASSEMBLY	MODEL B ENGLISH PGS,PHB,QCH ENGLISH UDY,QCJ,UED ENGLISH RBQ,RCN
	FG6 - 1661 - 550		1	FLASH MEMORY PCB ASSEMBLY	MODEL B ENGLISH NJY,NJQ,NJP
	FG5 - 9002 - 000		1	FLASH MEMORY PCB ASSEMBLY	MODEL B ENGLISH NKM
	FG6 - 1665 - 580		1	FLASH MEMORY PCB ASSEMBLY	MODEL B FRENCH SBL,SBN,SBM FRENCH SBP
	FG6 - 1666 - 580		1	FLASH MEMORY PCB ASSEMBLY	MODEL B GERMAN TBN,TBP
2	FH6 - 8931 - 000		1	SHEET, INSULATION	120V NJS/220/240V
3	FH6 - 8938 - 000		1	SHEET, INSULATING	
4	FH6 - 8939 - 000		1	SEAL, PWM CHECK	
BAT501	WK1 - 5019 - 000		1	BATTERY,LITHIUM,CR2477-HE4H 3V	
FU501	VD7 - 1627 - 001		1	FUSE, 7A 60V	
IC517	FH4 - 5489 - 000		1	IC, M65022FP, GATE ARRAY	
IC518	FH4 - 5717 - 000		1	IC, M66354FP, GATE ARRAY	
IC520	FH4 - 5843 - 000		1	IC, HG62G019R57FBN, GATE ARRAY	
IC564	HH5 - 2058 - 000		1	IC, MB838200BPF-G-8L4,MASK-ROM	
IC573	FH4 - 5722 - 000		1	IC,UPD65641GM-150-3ED, G.ARRAY	
IC598	FH4 - 5834 - 000		1	IC, SN104224PZ, GATE ARRAY	
IC599	FH4 - 5718 - 000		1	IC, M66355FP, GATE ARRAY	

MULTI PDL PRINTER BOARD PCB ASSEMBLY (GP200E NJY/200F)

FIGURE 988

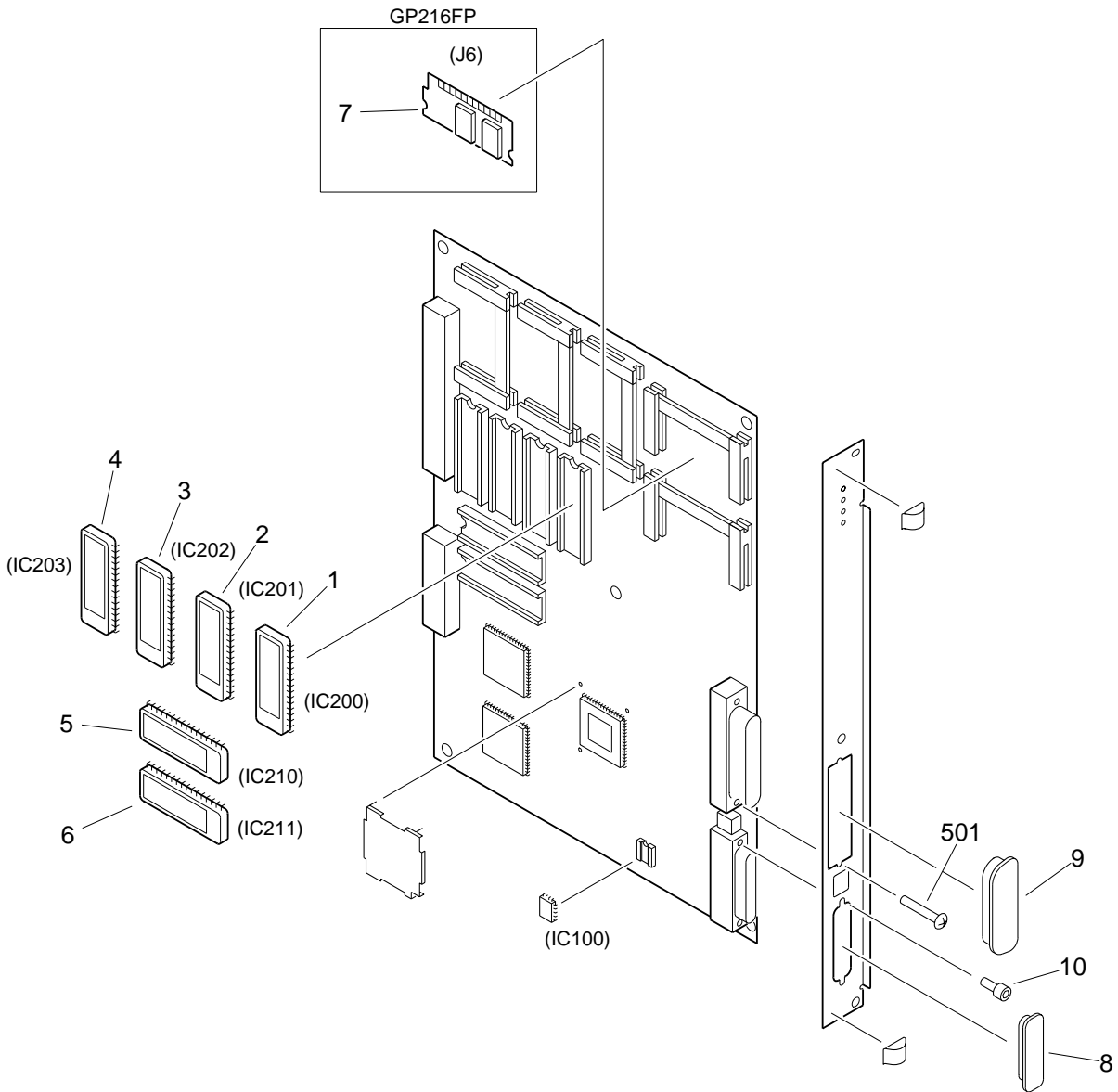


NOTE: This assembly is included in the assembly shown in Figure 996.

FIGURE & KEY NO.	PART NUMBER	RANK	QTY	DESCRIPTION	SERIAL NUMBER / REMARKS
988 -	FG5 - 8695 - 030		1	MULTI PDL BOARD PCB ASSEMBLY	GP200E NJY/200F SEE NOTE
1	FF3 - 0520 - 000		1	IC, TMS27PC010A-15FML, EP-ROM	Q262
2	RA9 - 0637 - 000		1	CAP, DUST	
3	VS9 - 0033 - 050		1	CAP, DUST	
4	WA3 - 8311 - 000		1	IC, MH2M32BDJ-7, DIMM	8M BYTE
5	WS9 - 0104 - 000		1	CAP, DUST	
6	WS9 - 0239 - 000		2	NUT,HEX,M3X7.8 (INCH)	
7	WT2 - 5487 - 000		1	HEATSINK	
8	WT2 - 5488 - 000		1	HOLDER, HEATSINK	
5 0 1	XB1 - 1301 - 007		4	SCREW,MACH.,PAN HEAD,M3X10	
FU1	VD5 - 0222 - 001		1	FUSE, LM20	
	WD9 - 0044 - 000		1	HOLDER, FUSE	
LED1	WG1 - 5251 - 000		1	LED, MPY4361F	
LED3	WG1 - 5251 - 000		1	LED, MPY4361F	
LED4	WG1 - 5251 - 000		1	LED, MPY4361F	
LED5	WG1 - 5251 - 000		1	LED, MPY4361F	
LED6	WG1 - 5229 - 000		1	LED, MVR4361F	
Q 6 8	FH4 - 5871 - 000		1	IC, PALCE16V8H-10JC/4, C-MOS	
Q1 1 0	FH4 - 5753 - 000		1	IC, PALCE20V8H-7JC/5, C-MOS	
Q1 1 1	FH4 - 5754 - 000		1	IC, PALCE20V8H-7JC/5, C-MOS	
Q1 1 2	FH4 - 5875 - 000		1	IC, PALCE20V8H-5JC/5, C-MOS	
Q1 1 3	FH4 - 5756 - 000		1	IC, PALCE20V8H-7JC/5, C-MOS	
Q1 3 0	FH4 - 5873 - 000		1	IC, PALCE20V8H-5JC/5, C-MOS	
Q1 3 1	FH4 - 5758 - 000		1	IC, PALCE16V8H-10JC/4, C-MOS	
Q1 3 2	FH4 - 5872 - 000		1	IC, PALCE20V8H-10JC/4, C-MOS	
Q1 3 8	FH4 - 5760 - 000		1	IC, PALCE20V8H-10JC/4, C-MOS	
Q1 4 1	WA3 - 6695 - 000		1	IC, NM93056N, EP-ROM	
Q1 6 4	FH4 - 5761 - 000		1	IC, PALCE20V8H-7JC/5, C-MOS	
Q1 6 5	FH4 - 5762 - 000		1	IC, PALCE16V8H-10JC/4, C-MOS	
Q1 7 4	FH4 - 5763 - 000		1	IC, PALCE16V8H-10JC/4, C-MOS	

FIGURE & KEY NO.	PART NUMBER	R A N K	Q' T Y	DESCRIPTION	SERIAL NUMBER / REMARKS
988 - Q2 0 8	FH4 - 5764 - 000		1	IC, PALCE16V8H-10JC/4, C-MOS	
Q2 0 9	FH4 - 5765 - 000		1	IC, PALCE16V8H-10JC/4, C-MOS	
Q2 2 2	FH4 - 5766 - 000		1	IC, PALCE16V8H-10JC/4, C-MOS	
Q2 2 3	FH4 - 5767 - 000		1	IC, PALCE16V8H-10JC/4, C-MOS	
Q2 4 0	FH4 - 1310 - 000		1	IC, SC87C51CGA44, M-CON	
Q2 6 0	FH4 - 3684 - 000		1	IC, TC5316210CF-E311, MASK-ROM	
Q2 6 1	FH4 - 3685 - 000		1	IC, TC5316210CF-E312, MASK-ROM	

LIPS PRINTER BOARD PCB ASSEMBLY FIGURE 989 (GP215P/216FP)



NOTE: This assembly is included in the assembly shown in Figure 997.

FIGURE & KEY NO.	PART NUMBER	RANK	QTY	DESCRIPTION	SERIAL NUMBER / REMARKS
989 -	FG5 - 8703 - 040		1	LIPS PRINTER BOARD PCB ASS'Y	GP215P SEE NOTE
	FG6 - 1692 - 000		1	LIPS PRINTER BOARD PCB UNIT	GP216FP SEE NOTE
1	FF3 - 1570 - 090		1	IC, HN27C4000G-10, EP-ROM	IC200
2	FF3 - 1571 - 090		1	IC, HN27C4000G-10, EP-ROM	IC201
3	FF3 - 1572 - 090		1	IC, HN27C4000G-10, EP-ROM	IC202
4	FF3 - 1573 - 090		1	IC, HN27C4000G-10, EP-ROM	IC203
5	FF3 - 1574 - 090		1	IC, HN27C4000G-10, EP-ROM	IC210
6	FF3 - 1575 - 090		1	IC, HN27C4000G-10, EP-ROM	IC211
7	FH6 - 3580 - 000		1	DIMM, MEMORY MODULE, 95368-001	GP216FP 8M BYTE J6
8	RA9 - 0637 - 000		1	CAP, DUST	
9	WS9 - 0104 - 000		1	CAP, DUST	
10	WS9 - 0139 - 000		2	SCREW, ALLEN HEAD (MM)	
501	XB1 - 1301 - 007		2	SCREW, MACH., PAN HEAD, M3X10	
IC 4	FH4 - 5839 - 000		1	IC, HG51BS239TB, GATE ARRAY	
IC100	WA3 - 8180 - 000		1	IC, CAT24C08P, EP-ROM	
IC150	FH4 - 5831 - 000		1	IC, TC160EA807AF11, GATE ARRAY	
IC220	RH4 - 3212 - 000		1	IC, KM23C32000AG-15-KFW3, ROM	
IC221	RH4 - 3213 - 000		1	IC, KM23C32000AG-15-KFW3, ROM	

CORE IMAGE PROCESSOR PCB ASSEMBLY (GP215F/210F/200/200D/200E/200F)

FIGURE 990

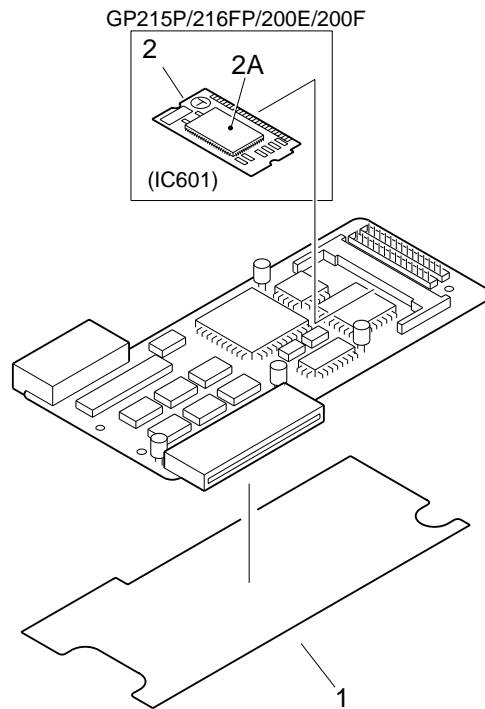
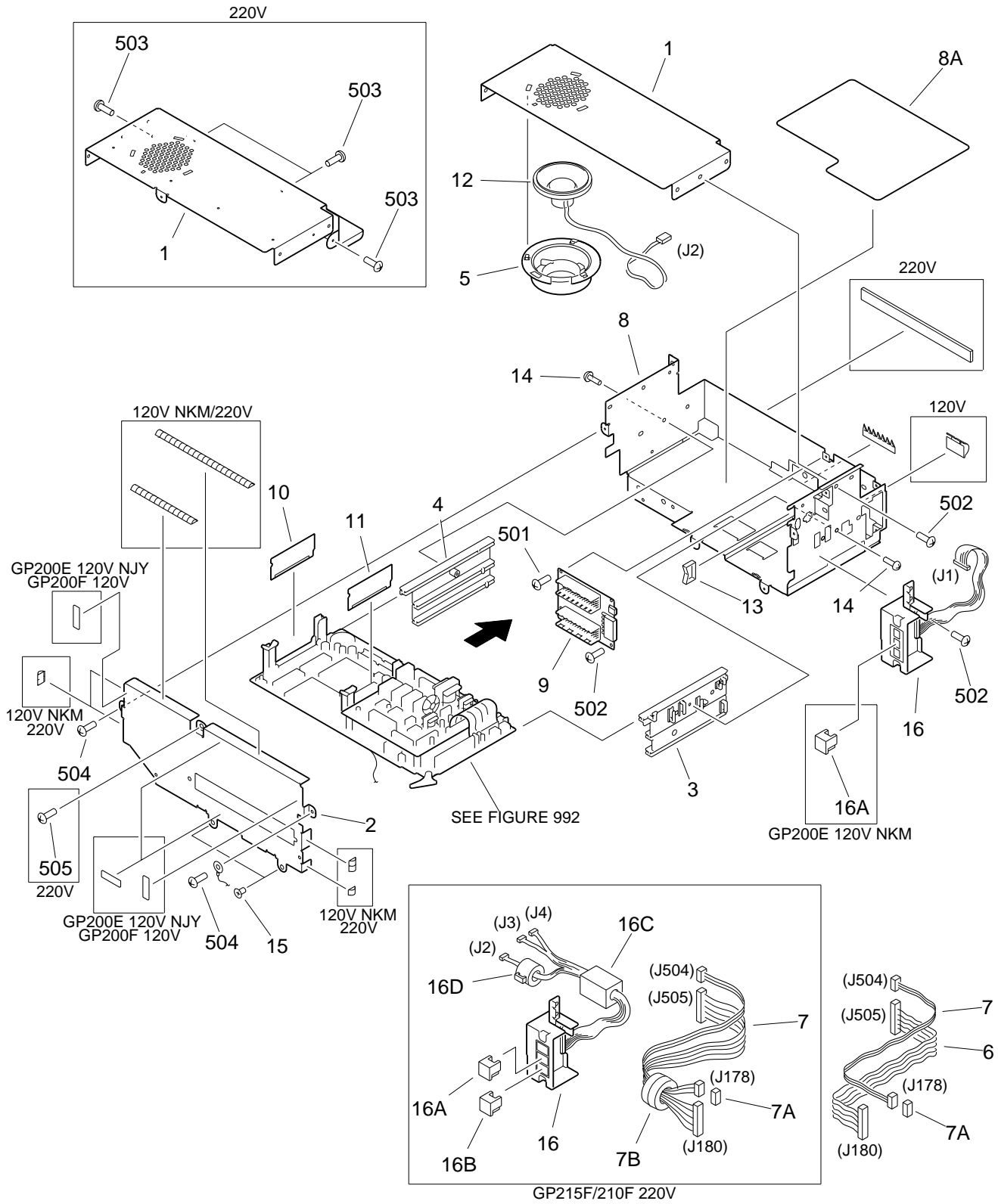


FIGURE & KEY NO.	PART NUMBER	RANK	QTY	DESCRIPTION	SERIAL NUMBER / REMARKS
990 -	FG2 - 9714 - 000		1	CORE IMAGE PROCESSOR PCB ASS'Y	GP215F LDY,LEP GP210F LGE GP216F/211F/200/200D
	FG6 - 1700 - 000		1	CORE IMAGE PROCESSOR PCB ASS'Y	GP215P/216FP GP200E/200F
	FG2 - 9715 - 000		1	CORE IMAGE PROCESSOR PCB ASS'Y	GP215F UBZ,SFZ GP215F PGR,SBN GP210F PLZ,SBP
1	FB3 - 2334 - 000		1	SHEET, INSULATING	
2	FG5 - 7496 - 000		1	CIST PCB ASSEMBLY	GP215P/216FP GP200E/200F
2A	FH4 - 5820 - 000		1	IC, JSC03RM517CE37, GATE ARRAY	GP215P/216FP GP200E/200F IC601
I C5 07	FH4 - 5817 - 000		1	IC,UPD65631GM-141-3ED, G.ARRAY	
I C5 10	FH4 - 5720 - 000		1	IC, HG51B226FB, GATE ARRAY	
I C5 11	FH4 - 5721 - 000		1	IC, HG51D210FD, GATE ARRAY	

FIGURE 991 FAX ASSEMBLY (GP215F/210F/200E/200F)



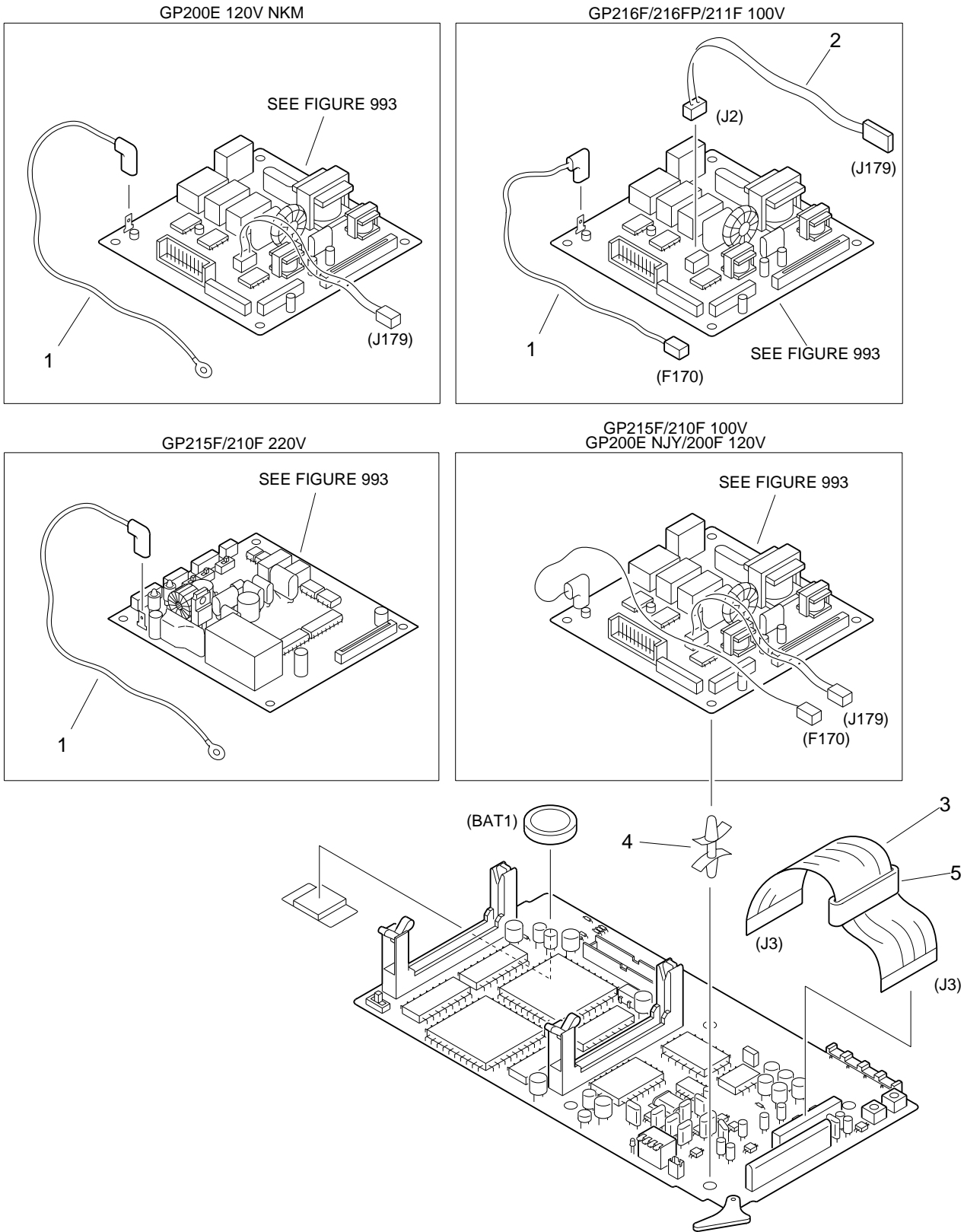
NOTE1: This assembly includes the assembly shown in Figure 992.

NOTE2: This assembly does not include the parts shown with key No. 2, 10, 11, 15 and 504.

FIGURE & KEY NO.	PART NUMBER	RANK	QTY	DESCRIPTION	SERIAL NUMBER / REMARKS	
991 -	FG5 - 6356 - 050		1	FAX ASSEMBLY	GP215F/210F 100V SEE NOTE 1	
	FG5 - 8518 - 000		1	FAX ASSEMBLY	GP215F 220V UBZ,PGR GP210F 220V PLZ SEE NOTE 1	
	FG5 - 8521 - 000		1	FAX ASSEMBLY	GP215F 220V SFZ,SBN GP210F 220V SBP SEE NOTE 1	
1	FG6 - 1164 - 000		1	FAX ASSEMBLY	GP216F/211F 100V SEE NOTE 1	
	FG6 - 1669 - 000		1	FAX ASSEMBLY	GP216FP 100V SEE NOTE 1	
	FG5 - 8504 - 000		1	FAX ASSEMBLY	GP200E NJY/200F 120V SEE NOTE 1	
	FG6 - 4709 - 000		1	FAX ASSEMBLY	GP200E 120V NKM SEE NOTE 1	
	FB3 - 3171 - 000		1	COVER, CASE, UPPER	100/120V	
2	FB3 - 9445 - 000		1	COVER, CASE, UPPER	220V	
	FB3 - 3172 - 000		1	COVER, CASE, FRONT	GP215F/210F 100V GP216F/211F 100V	
	FF5 - 4614 - 000		1	COVER, CASE, FRONT	GP215F/210F 220V GP200E 120V NKM	
	FB3 - 3172 - 000		1	COVER, CASE, FRONT	SEE NOTE 2 GP216FP 100V	
	FF5 - 4601 - 000		1	COVER, CASE, FRONT	SEE NOTE 2 GP200E NJY/200F 120V	
3	FB3 - 3173 - 000		1	RAIL, 1		
4	FB3 - 3174 - 000		1	RAIL, 2		
5	FB3 - 3175 - 000		1	HOLDER, SPEAKER		
6	FF3 - 1444 - 000		1	CABLE, PCB CONNECTING, 1	100/120V J180,505	
7	FF3 - 1445 - 000		1	CABLE, PCB CONNECTING, 2	100/120V J178,504	
7 A	FF3 - 1324 - 000		1	CABLE, PCB CONNECTING, 2	220V J178,180,504,505	
	VS1 - 5057 - 003		1	CONNECTOR, SNAP TIGHT	J178	
	WE8 - 5113 - 000		1	CORE	220V	
	8	FF5 - 4572 - 000		1	CASE, PRINT CIRCUIT BOARD	100V
		FF5 - 4602 - 000		1	CASE, PRINT CIRCUIT BOARD	120V
8 A	FF5 - 4626 - 000		1	CASE, PRINT CIRCUIT BOARD	220V	
	FB3 - 3191 - 000		1	SHEET, INSULATION		
9	FG5 - 6303 - 030		1	FAX MOTHER BOARD PCB ASSEMBLY	100/120V	
	FG5 - 8924 - 000		1	FAX MOTHER BOARD PCB ASSEMBLY	220V	
10	FH6 - 3582 - 000	N	1	DIMM, FAX EXTENTION, B	ACCESSORY 9M BYTE SEE NOTE 2	

FIGURE & KEY NO.	PART NUMBER	RANK	QTY	DESCRIPTION	SERIAL NUMBER / REMARKS
991 - 10	FH6 - 3724 - 000		1	FLASH MEMORY PCB ASSEMBLY	GP216FP GP210F PLZ,SBP GP215F UBZ,SFZ,PGR GP215F SBN 3M BYTE
	FH6 - 3725 - 000		1	FLASH MEMORY PCB ASSEMBLY	GP200E/200F 9M BYTE
11	FH6 - 3583 - 000	N	1	DIMM, FAX EXTENTION, A	ACCESSORY 3M BYTE SEE NOTE 2
	FH6 - 3724 - 000		1	FLASH MEMORY PCB ASSEMBLY	GP216FP/200E/200F 3M BYTE
12	FH6 - 3584 - 000		1	SPEAKER	J2
13	WT2 - 5011 - 000		1	CLIP, CABLE	
14	XA9 - 0591 - 000		2	SCREW,M3X8	
15	XA9 - 0679 - 000		2	SCREW,MACH.,FLAT HEAD,M3X4	GP215F/210F/216F GP211F/200E NKM
	XA9 - 0679 - 000		3	SCREW,MACH.,FLAT HEAD,M3X4	SEE NOTE 2 GP216FP GP200E NJY/200F
16	FG5 - 6358 - 000		1	MODULAR PCB UNIT	GP215F/210F 100V GP200E NJY/200F 120V J1
	FG5 - 8519 - 000		1	MODULAR PCB UNIT	GP215F 220V UBZ,SFZ GP215F 220V PGR,SBN GP210F 220V PLZ,SBP
	FG5 - 9022 - 000		1	MODULAR PCB UNIT	GP216F/211F/216FP 100V J1
16 A	FG6 - 1703 - 000		1	MODULAR PCB UNIT	GP200E 120V NKM J1
16 B	WS9 - 5038 - 000		1	SPACER, MODULAR	GP215F 220V GP210F 220V GP200E 120V NKM
16 C	WS9 - 5038 - 000		1	SPACER, MODULAR	GP215F 220V GP210F 220V
16 D	WE8 - 5118 - 000		1	CLAMP, SLEEVE FERRITE	220V
501	WE8 - 5496 - 000		1	CORE, FERRITE	220V
502	XB1 - 2300 - 607		1	SCREW,MACH.,TRUSS HEAD,M3X6	
503	XB1 - 2300 - 607		6	SCREW,MACH.,TRUSS HEAD,M3X6	
504	XB1 - 2300 - 607		4	SCREW,MACH.,TRUSS HEAD,M3X6	220V
505	XB2 - 7300 - 607		2	SCREW,W/WASHER,M3X6	GP215F/210F 100V GP216F/211F 100V
	XB2 - 7300 - 607		2	SCREW,W/WASHER,M3X6	GP200E 120V NKM SEE NOTE 2 GP216FP 100V GP200E NJY/200F 120V
505	XB2 - 7300 - 607		1	SCREW,W/WASHER,M3X6	220V

FAX BOARD PCB ASSEMBLY FIGURE 992 (GP215F/210F/200F/200E)



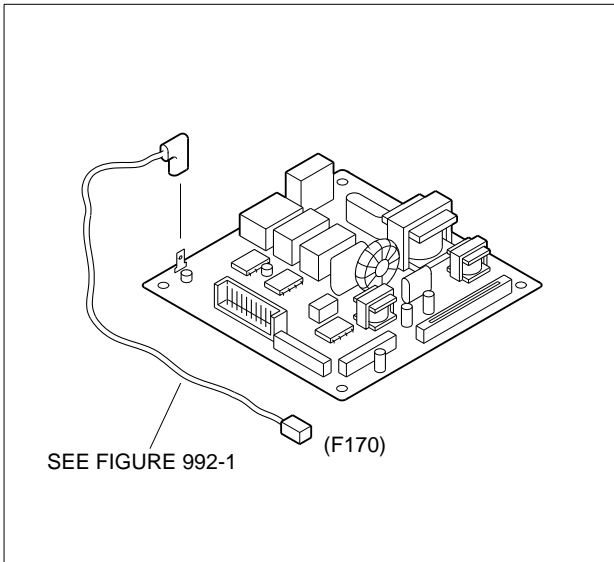
NOTE1: This assembly is included in the assembly shown in Figure 991.
NOTE2: This assembly includes the assembly shown in Figure 993.

FIGURE & KEY NO.	PART NUMBER	RANK	QTY	DESCRIPTION	SERIAL NUMBER / REMARKS
992 -	FG5 - 6357 - 020		1	FAX BOARD PCB ASSEMBLY	GP215F/210F 100V SEE NOTE 1,2
	FG5 - 8517 - 020		1	FAX BOARD PCB ASSEMBLY	GP215F 220V UBZ,PGR GP210F 220V PLZ SEE NOTE 1,2
	FG5 - 8520 - 000		1	FAX BOARD PCB ASSEMBLY	GP215F 220V SFZ,SBN GP210F 220V SBP SEE NOTE 1,2
1	FG5 - 9021 - 000		1	FAX BOARD PCB ASSEMBLY	GP216F/216FP 100V GP211F 100V SEE NOTE 1,2
	FG5 - 7864 - 000		1	FAX BOARD PCB ASSEMBLY	GP200E NJY/200F 120V SEE NOTE 1,2
	FG3 - 0056 - 000		1	FAX BOARD PCB ASSEMBLY	GP200E 120V NKM SEE NOTE 1,2
	FF3 - 2018 - 000		1	CABLE, ARESTA GROUNDING	GP215F/210F 220V GP200E 120V NKM
2 3 4 5	FF3 - 2054 - 000		1	CABLE, ARESTA GROUNDING	GP216F/216FP/211F 100V F170
	FF3 - 2055 - 000		1	CABLE, CI	GP216F/216FP 100V GP211F 100V J2,179
	FH2 - 6341 - 000		1	CABLE, FCC	J3
	VT2 - 0013 - 180		4	SPACER, PCB	
	WE8 - 5021 - 000		1	CORE, FERRITE	
BAT 1	WK1 - 5102 - 000		1	BATTERY, LITHIUM	
I C 1	FH4 - 5725 - 000		1	IC, TC160ED201AF-12,GATE ARRAY	GP216F/216FP 100V GP211F 100V GP200E 120V NKM
I C 6	HH5 - 2055 - 000		1	IC, HG62G070R20F, GATE ARRAY	GP216F/216FP 100V GP211F 100V
I C 10	HH4 - 2181 - 000		1	IC, UPD7757G-546, VOICE LSI	GP216F/216FP 100V GP211F 100V
J 8	FF3 - 1607 - 000		1	CABLE, GROUNDING	GP215F/210F 100V GP216F/211F 100V GP200E NJY/200F 120V
LED1	WG1 - 0157 - 000		1	LED, SEL2110RTGN	
Q 4	HH7 - 2006 - 000		1	IC, ZHMA5751A, HYBRID	GP215F/210F 100V GP200E NJY/200F 120V
	HH5 - 2055 - 000		1	IC, HG62G070R20F, GATE ARRAY	GP215F/210F 220V
Q 7	HH5 - 2055 - 000		1	IC, HG62G070R20F, GATE ARRAY	GP215F/210F 100V GP200E NJY/200F 120V
Q 8	HH7 - 2178 - 000		1	IC, AFM97F002X1, HYBRID	GP215F/210F 220V
Q14	FH4 - 5725 - 000		1	IC, TC160ED201AF-12,GATE ARRAY	GP215F/210F 220V
Q19	FH4 - 5725 - 000		1	IC, TC160ED201AF-12,GATE ARRAY	GP215F/210F 100V GP200E NJY/200F 120V
Q27	HH4 - 2181 - 000		1	IC, UPD7757G-546, VOICE LSI	GP215F/210F 100V

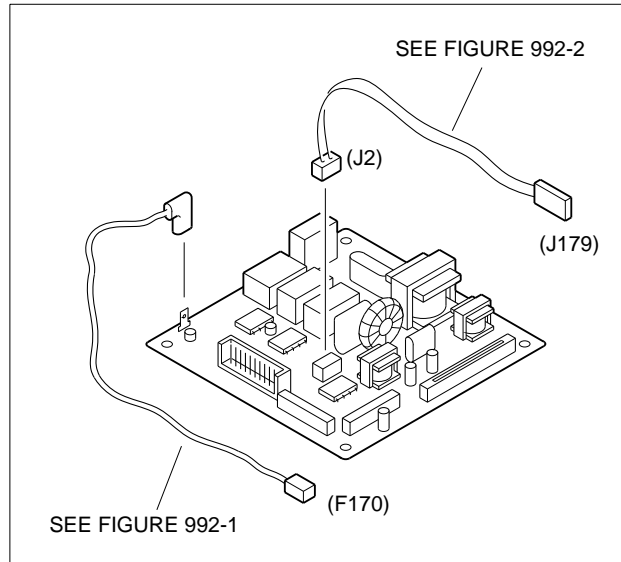
NCU BOARD PCB ASSEMBLY (GP215F/210F/200E/200F)

FIGURE 993

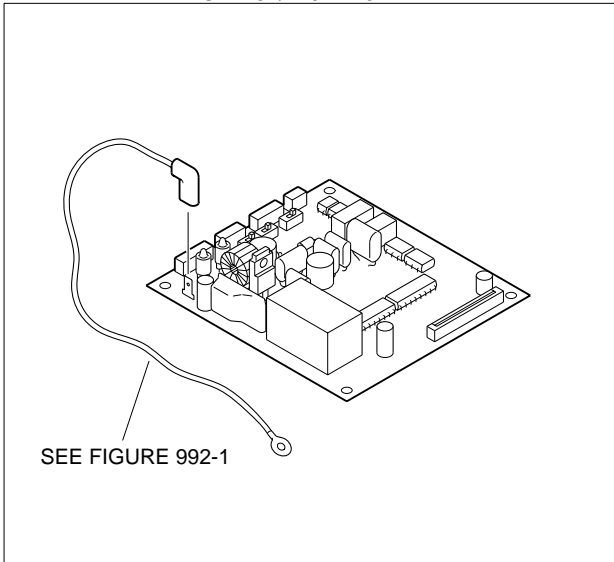
GP200E 120V NKM



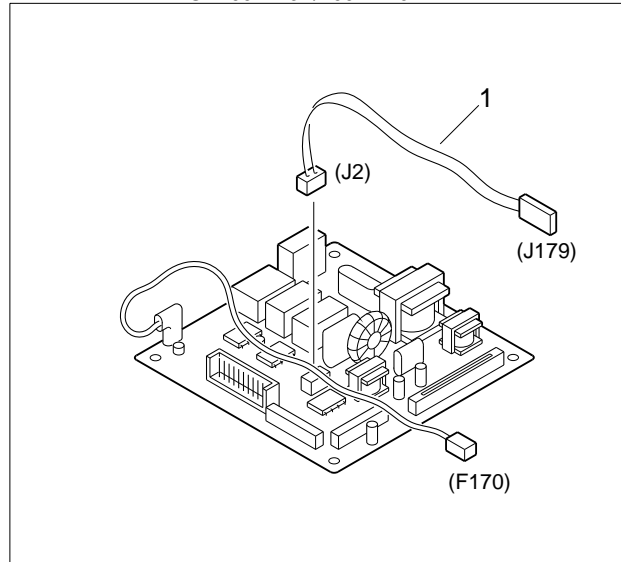
GP216F/216FP/211F 100V



GP215F/210F 220V



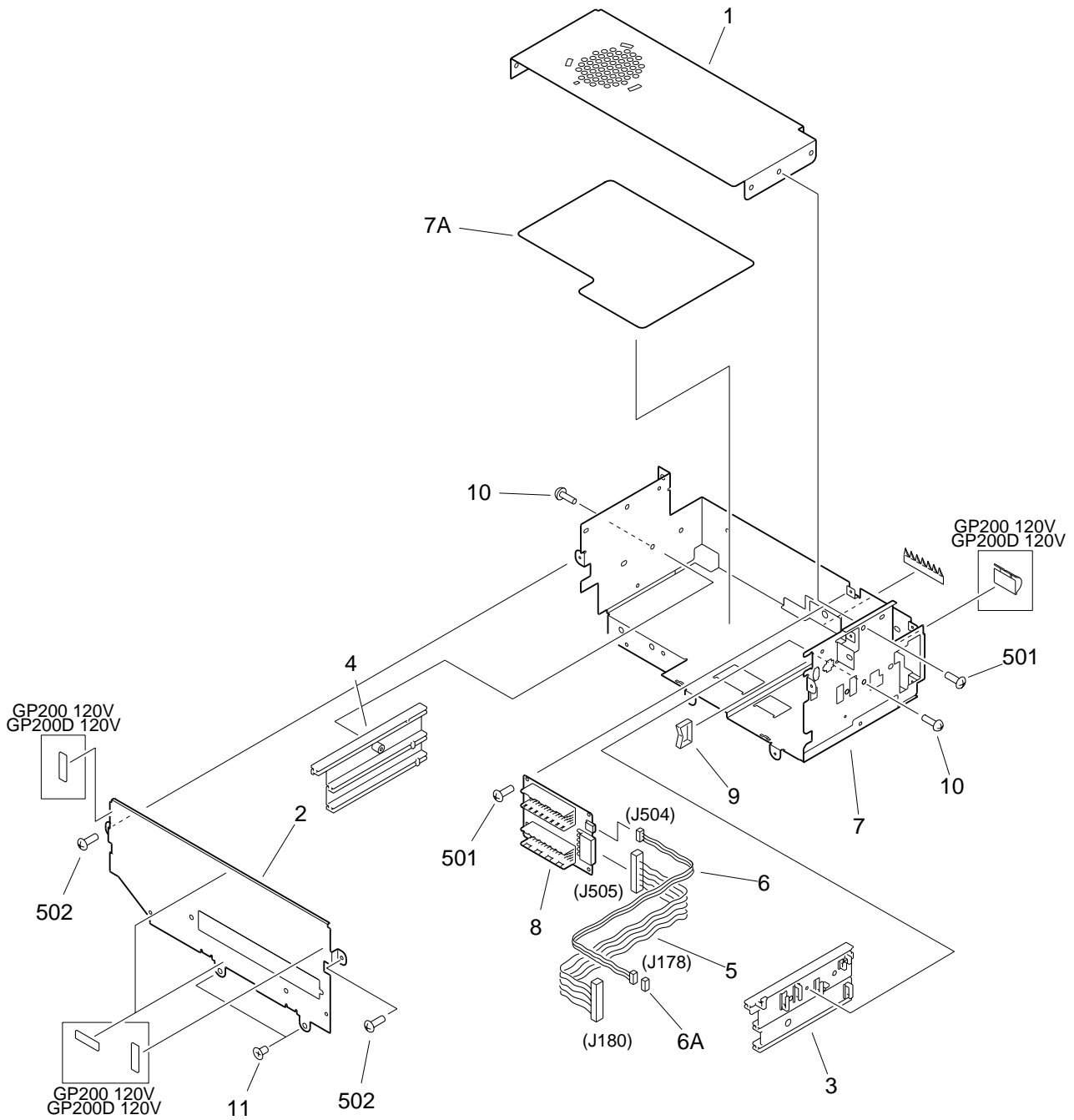
GP215F/210F 100V
GP200E NJY/200F 120V



NOTE: This assembly is included in the assembly shown in Figure 992.

FIGURE & KEY NO.	PART NUMBER	RANK	QTY	DESCRIPTION	SERIAL NUMBER / REMARKS
993 -	FG5 - 7110 - 020		1	NCU BOARD PCB ASSEMBLY	GP215F/210F 100V SEE NOTE
	HG5 - 0616 - 000		1	NCU BOARD PCB ASSEMBLY	GP215F 220V UBZ,PGR GP210F 220V PLZ SEE NOTE
	HG5 - 0886 - 000		1	NCU BOARD PCB ASSEMBLY	GP215F 220V SFZ,SBN GP210F 220V SBP SEE NOTE
1	HG5 - 1039 - 000		1	NCU BOARD PCB ASSEMBLY	GP216F/GP216FP 100V GP211F 100V SEE NOTE
	FG5 - 7503 - 000		1	NCU BOARD PCB ASSEMBLY	GP200E NJY/200F 120V SEE NOTE
	HG1 - 4268 - 000		1	NCU BOARD PCB ASSEMBLY	GP200E 120V NKM SEE NOTE
	FF3 - 1443 - 000		1	CABLE, CI CONNECTING	GP215F/210F 100V J2,179
FT1	FF3 - 1312 - 000		1	CABLE, CI CONNECTING	GP200E NJY/200F 120V J2,179
	FF3 - 1442 - 000		1	CABLE, ARESTA CONNECTING	GP215F/210F 100V F170
	FF3 - 2019 - 000		1	CABLE, ARESTA CONNECTING	GP200E NJY/200F 120V F170
I C3	HH7 - 2257 - 000		1	PHOTO-COUPLER	GP216F/216FP 100V GP211F 100V
I C4	HH7 - 2257 - 000		1	PHOTO-COUPLER	GP216F/216FP 100V GP211F 100V
L1	HH7 - 1477 - 000		1	INDUCTOR, TSU-FL163	GP216F/216FP 100V GP211F 100V
L2	HH7 - 2298 - 000		1	INDUCTOR, TSU-FT481	GP215F 220V UBZ,PGR GP210F 220V PLZ
L3	HH7 - 1140 - 000		1	COIL, CHOKE	GP215F/210F 100V GP200E NJY/200F 120V
	HH7 - 2240 - 000		1	INDUCTOR, TSU-FL474	GP215F 220V UBZ,PGR GP210F 220V PLZ
LT1	HH7 - 1174 - 000		1	TRANSFORMER, AUDIO	GP215F/210F 100V GP200E NJY/200F 120V
LT2	HH7 - 1141 - 000		1	TRANSFORMER	GP215F/210F 100V GP200E NJY/200F 120V
Q1	HH7 - 2226 - 000		1	TRANSISTOR, 2SD2217NC1	GP215F 220V UBZ,PGR GP210F 220V PLZ
T1	HH7 - 2120 - 000		1	TRANSFORMER	GP216F/216FP 100V GP211F 100V GP200E 120V NKM
	HH7 - 2179 - 000		1	TRANSFORMER, TSU-FM456B	GP215F 220V UBZ,PGR GP215F 220V SFZ,SBN
T2	HH7 - 2112 - 000		1	TRANSFORMER, TSU-FT463A	GP210F 220V PLZ,SBP GP216F/216PF 100V GP211F 100V GP200E 120V NKM
	HH7 - 2209 - 000		1	DC RESISTOR CONTROL MODULE	GP215F 220V UBZ,PGR GP215F 220V SFZ,SBN GP210F 220V PLZ,SBP

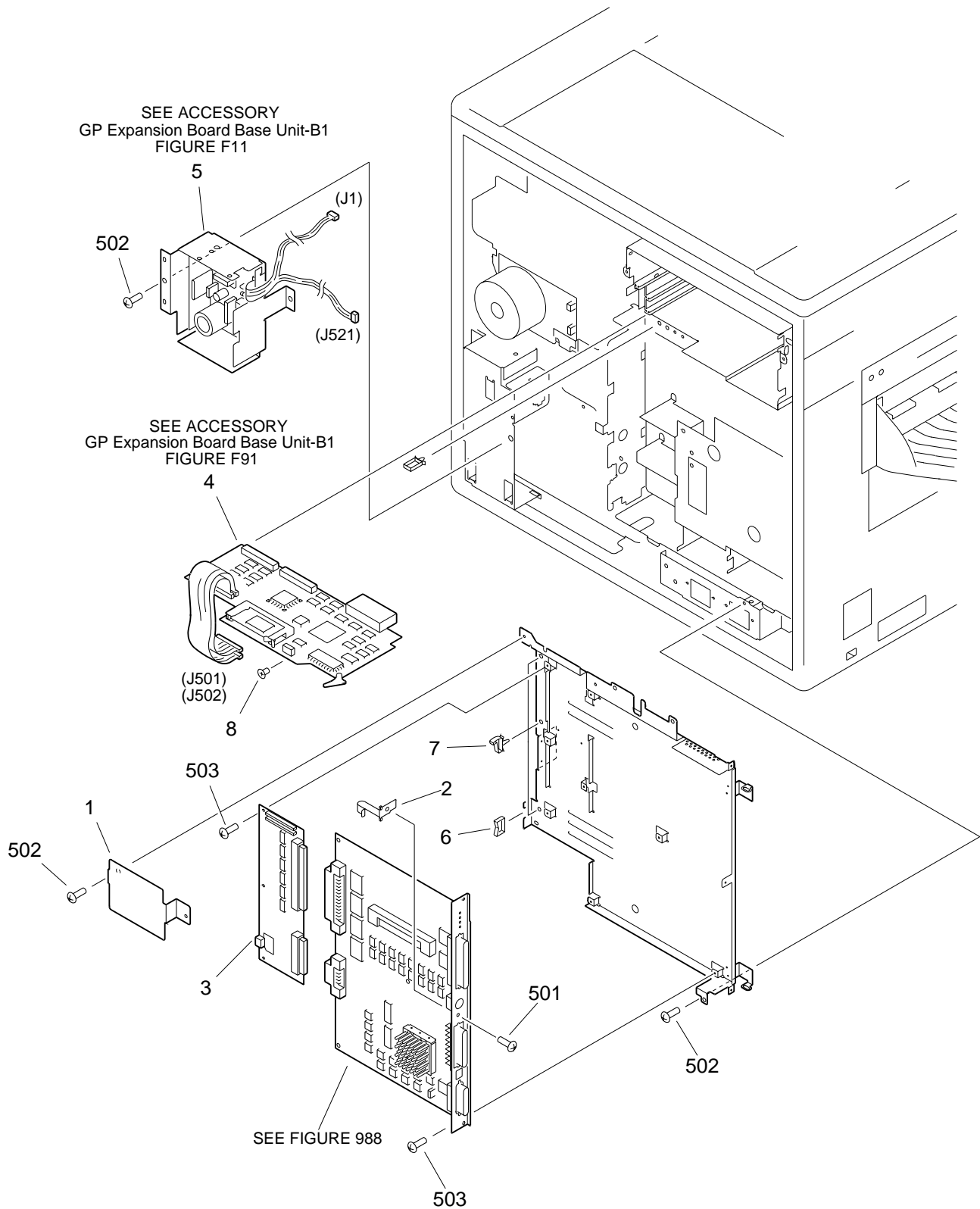
FIGURE 995 EXPANSION BOARD ASSEMBLY (GP200/200D)



NOTE: This assembly does not include the parts shown with key No. 2, 11 and 502.

FIGURE & KEY NO.	PART NUMBER	R A N K	Q' T Y	DESCRIPTION	SERIAL NUMBER / REMARKS
995 -	FG5 - 6355 - 000		1	EXPANSION BOARD ASSEMBLY	GP215P 100V
	FG5 - 8707 - 000		1	EXPANSION BOARD ASSEMBLY	GP200/200D 120V
1	FB3 - 3171 - 000		1	COVER, CASE, UPPER	
2	FB3 - 3172 - 000		1	COVER, CASE, FRONT	SEE NOTE GP215P 100V
	FF5 - 4601 - 000		1	COVER, CASE, FRONT	SEE NOTE GP200/200D 120V
3	FB3 - 3173 - 000		1	RAIL, 1	
4	FB3 - 3174 - 000		1	RAIL, 2	
5	FF3 - 1444 - 000		1	CABLE, PCB CONNECTING, 1	J180,505
6	FF3 - 1445 - 000		1	CABLE, PCB CONNECTING, 2	J178,504
6 A	VS1 - 5057 - 003		1	CONNECTOR, SNAP TIGHT	J178
7	FF5 - 4572 - 000		1	CASE, PRINT CIRCUIT BOARD	GP215P 100V
	FF5 - 4602 - 000		1	CASE, PRINT CIRCUIT BOARD	GP200/200D 120V
7 A	FB3 - 3191 - 000		1	SHEET, INSULATION	
8	FG5 - 6303 - 030		1	FAX MOTHER BOARD PCB ASSEMBLY	
9	WT2 - 5011 - 000		1	CLIP, CABLE	
10	XA9 - 0591 - 000		2	SCREW,M3X8	
11	XA9 - 0679 - 000		2	SCREW,MACH.,FLAT HEAD,M3X4	SEE NOTE GP215P 100V GP200/200D 120V
501	XB1 - 2300 - 607		6	SCREW,MACH.,TRUSS HEAD,M3X6	
502	XB2 - 7300 - 607		2	SCREW,W/WASHER,M3X6	SEE NOTE GP215P 100V
					GP200/200D 120V

MULTI PDL PRINTER BOARD UNIT FIGURE 996 (GP200E NJY/200F)

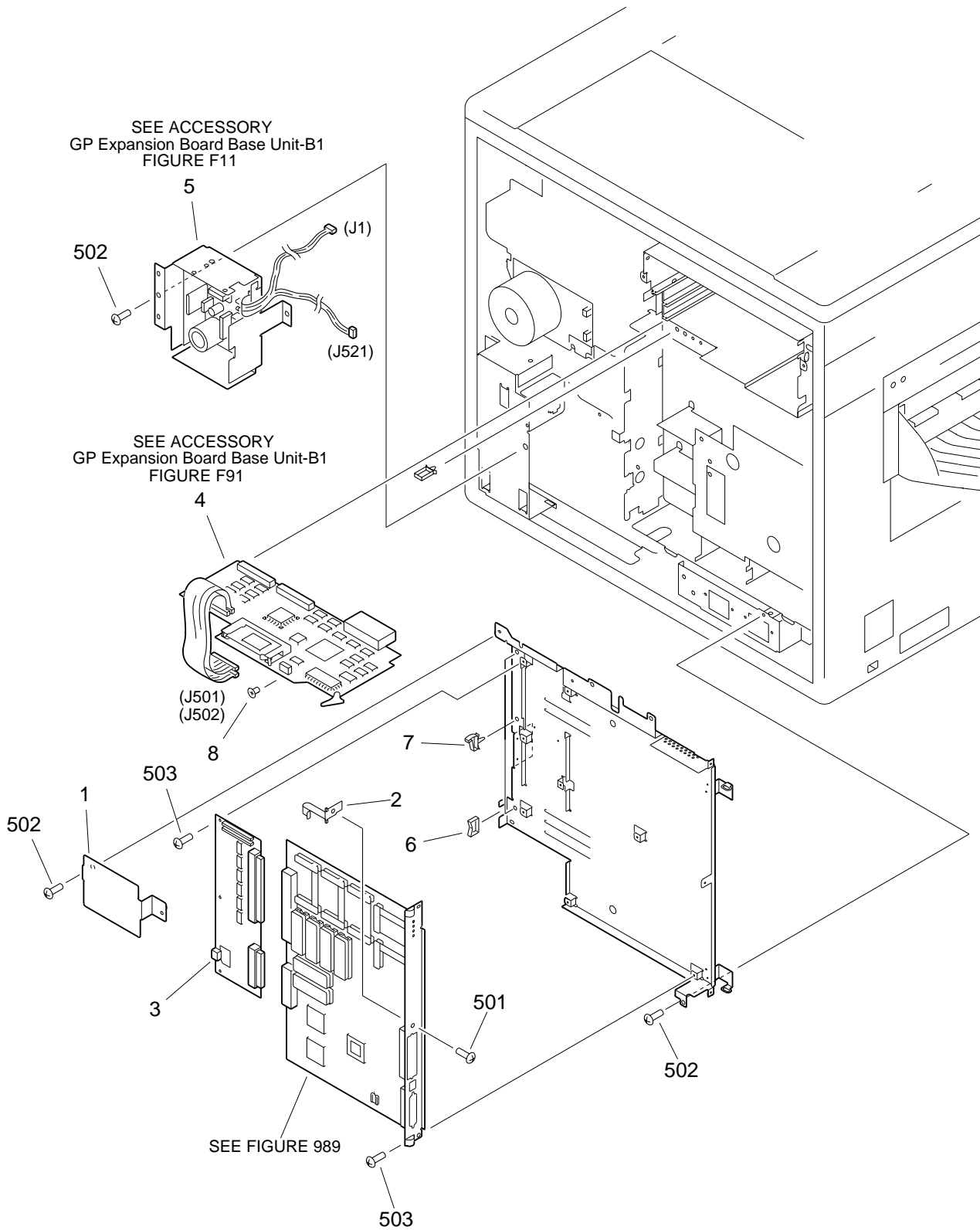


NOTE1: This assembly includes the assembly shown in Figure 988.

NOTE2: This assembly does not include the parts shown with key No. 1, 4, 5, 8 and 502.

FIGURE & KEY NO.	PART NUMBER	R A N K	Q' T Y	DESCRIPTION	SERIAL NUMBER / REMARKS
996 -	FG5 - 8505 - 000		1	MULTI PDL PRINTER BOARD UNIT	GP200E NJY/200F 120V SEE NOTE 1
1	FB3 - 2370 - 000		1	PLATE, SHIELD	SEE NOTE 2 GP200E NJY/200F 120V
2	FB3 - 2379 - 000		1	PLATE, GROUNDING	
3	FG5 - 6305 - 000		1	SYSTEM MOTHER BOARD PCB ASS'Y	
4	FG5 - 8288 - 050		1	PROTOCOL CONTROL PCB ASSEMBLY	SEE NOTE 2 GP200E NJY/200F 120V
5	FG6 - 3635 - 000		1	SYSTEM POWER SUPPLY ASSEMBLY	J501,502 SEE FIGURE F91 SEE NOTE 2 GP200E NJY/200F 120V J1,521 SEE FIGURE F11
6	WT2 - 5011 - 000		1	CLIP, CABLE	
7	WT2 - 5134 - 000		3	CLAMP, CABLE	
8	XA9 - 0679 - 000		1	SCREW,MACH.,FLAT HEAD,M3X4	SEE NOTE 2 GP200E NJY/200F 120V
501	XB2 - 7300 - 607		3	SCREW,W/WASHER,M3X6	
502	XB2 - 7400 - 607		19	SCREW,W/WASHER,M4X6	SEE NOTE 2 GP200E NJY/200F 120V
503	XB6 - 7300 - 607		9	SCREW,TP,M3X6	

FIGURE 997 LIPS PRINTER BOARD UNIT (GP215P/216FP)



NOTE1: This assembly includes the assembly shown in Figure 989.

NOTE2: This assembly does not include the parts shown with key No. 1, 4, 5, 8 and 502.

FIGURE & KEY NO.	PART NUMBER	RANK	QTY	DESCRIPTION	SERIAL NUMBER / REMARKS
997 -	FG5 - 9026 - 000		1	LIPS PRINTER BOARD UNIT	GP215P 100V SEE NOTE 1
	FG6 - 1691 - 000		1	LIPS PRINTER BOARD UNIT	GP216FP 100V SEE NOTE 1
	1 FB3 - 2370 - 000		1	PLATE, SHIELD	SEE NOTE 2 GP215P/216FP 100V
2	FB3 - 2379 - 000		1	PLATE, GROUNDING	
3	FG5 - 6305 - 000		1	SYSTEM MOTHER BOARD PCB ASS'Y	
4	FG5 - 8288 - 050		1	PROTOCOL CONTROL PCB ASSEMBLY	SEE NOTE 2 GP215P/216FP 100V J501,502 SEE FIGURE F91
5	FG6 - 3635 - 000		1	SYSTEM POWER SUPPLY ASSEMBLY	SEE NOTE 2 GP215P/216FP 100V J1,521 SEE FIGURE F11
6	WT2 - 5011 - 000		1	CLIP, CABLE	
7	WT2 - 5134 - 000		3	CLAMP, CABLE	
8	XA9 - 0679 - 000		1	SCREW,MACH.,FLAT HEAD,M3X4	SEE NOTE 2 GP215P/216FP 100V
501	XB2 - 7300 - 607		3	SCREW,W/WASHER,M3X6	
502	XB2 - 7400 - 607		21	SCREW,W/WASHER,M4X6	SEE NOTE 2 GP215P/216FP 100V
503	XB6 - 7300 - 607		9	SCREW,TP,M3X6	

FIGURE 998 BOARD CASE ASSEMBLY (GP215/211/210)

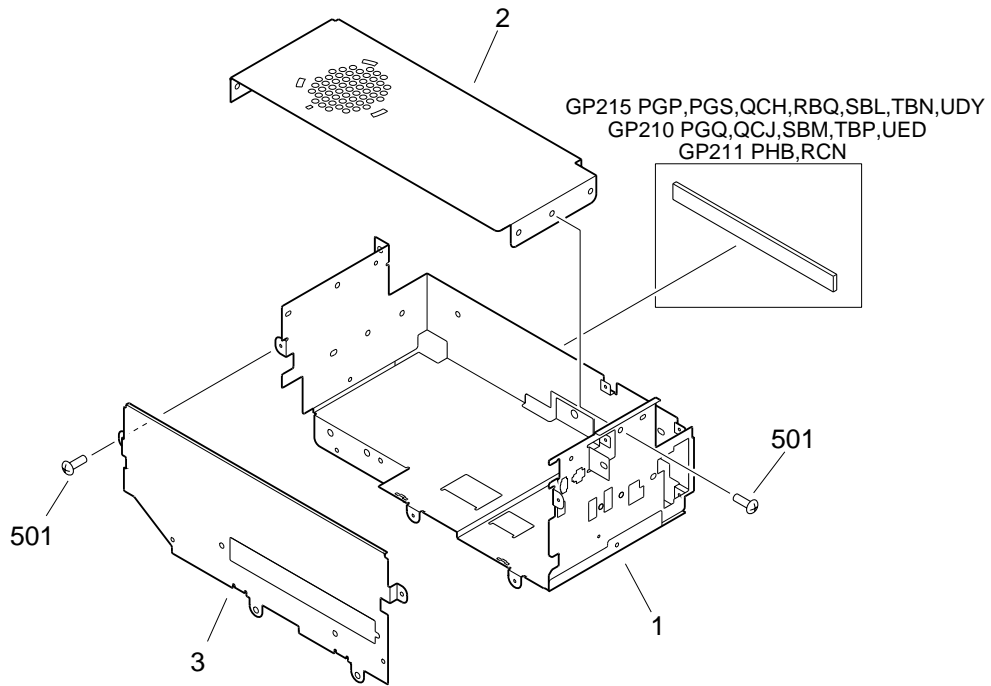


FIGURE & KEY NO.	PART NUMBER	RANK	QTY	DESCRIPTION	SERIAL NUMBER / REMARKS
998 -	FG9 - 3602 - 000		1	BOARD CASE ASSEMBLY	GP215 UBY,PTC,QFY GP215 RBH,SFY,TFY GP215 UFY,NJS GP210 PDG,QDG,SDG GP210 FDG,UDG
	FG9 - 3731 - 000		1	BOARD CASE ASSEMBLY	GP215 PGP,PGS,QCH GP215 RBQ,SBL,TBN GP215 UDY GP210 PGQ,QCJ,SBM
1	FB3 - 3170 - 000		1	CASE, PRINT CIRCUIT BOARD	GP210 TBP,UED GP211 PHB,RCN GP215 UBY,PTC,QFY GP215 RBH,SFY,TFY GP215 UFY,NJS GP210 PDG,QDG,SDG GP210 FDG,UDG
	FF9 - 1645 - 000		1	CASE, PRINT CIRCUIT BOARD	GP215 PGP,PGS,QCH GP215 RBQ,SBL,TBN
2	FB3 - 3171 - 000		1	COVER, CASE, UPPER	GP215 UDY GP210 PGQ,QCJ,SBM GP210 TBP,UED GP211 PHB,RCN
3	FB3 - 3172 - 000		1	COVER, CASE, FRONT	
501	XB1 - 2300 - 607		4	SCREW,MACH.,TRUSS HEAD,M3X6	

FIGURE B LIST OF CONNECTORS(1/3)

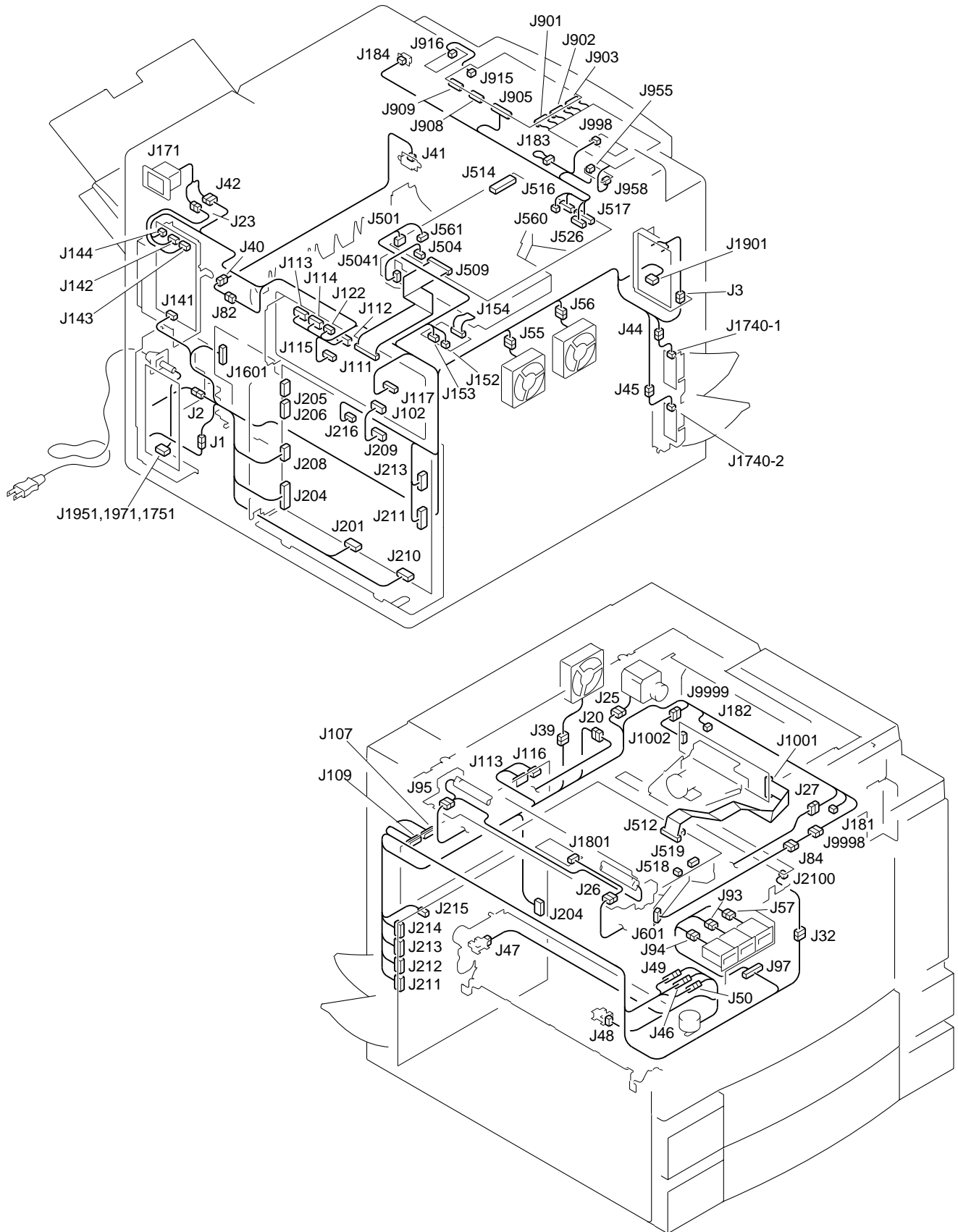


FIGURE B LIST OF CONNECTORS(2/3)

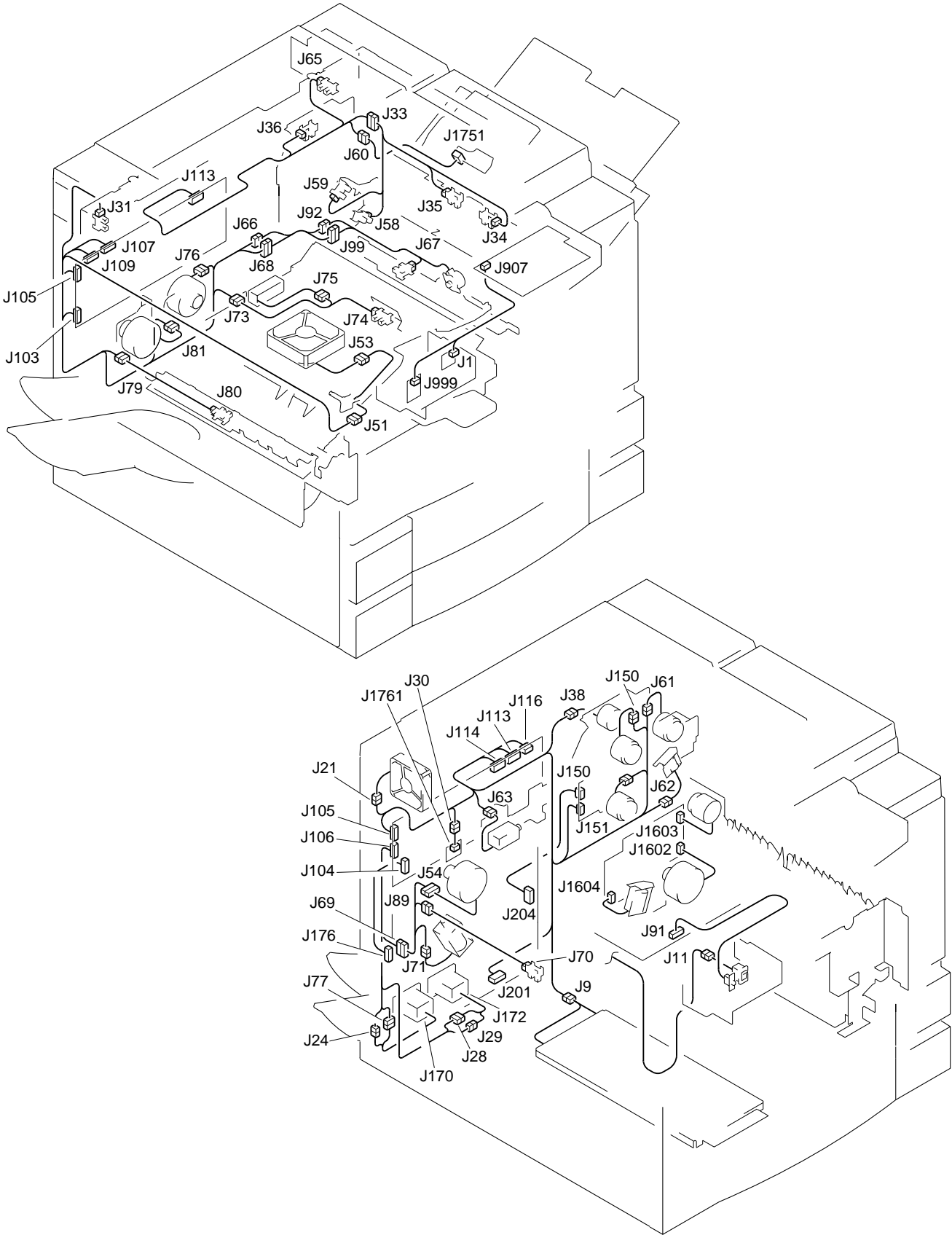


FIGURE B LIST OF CONNECTORS(3/3)

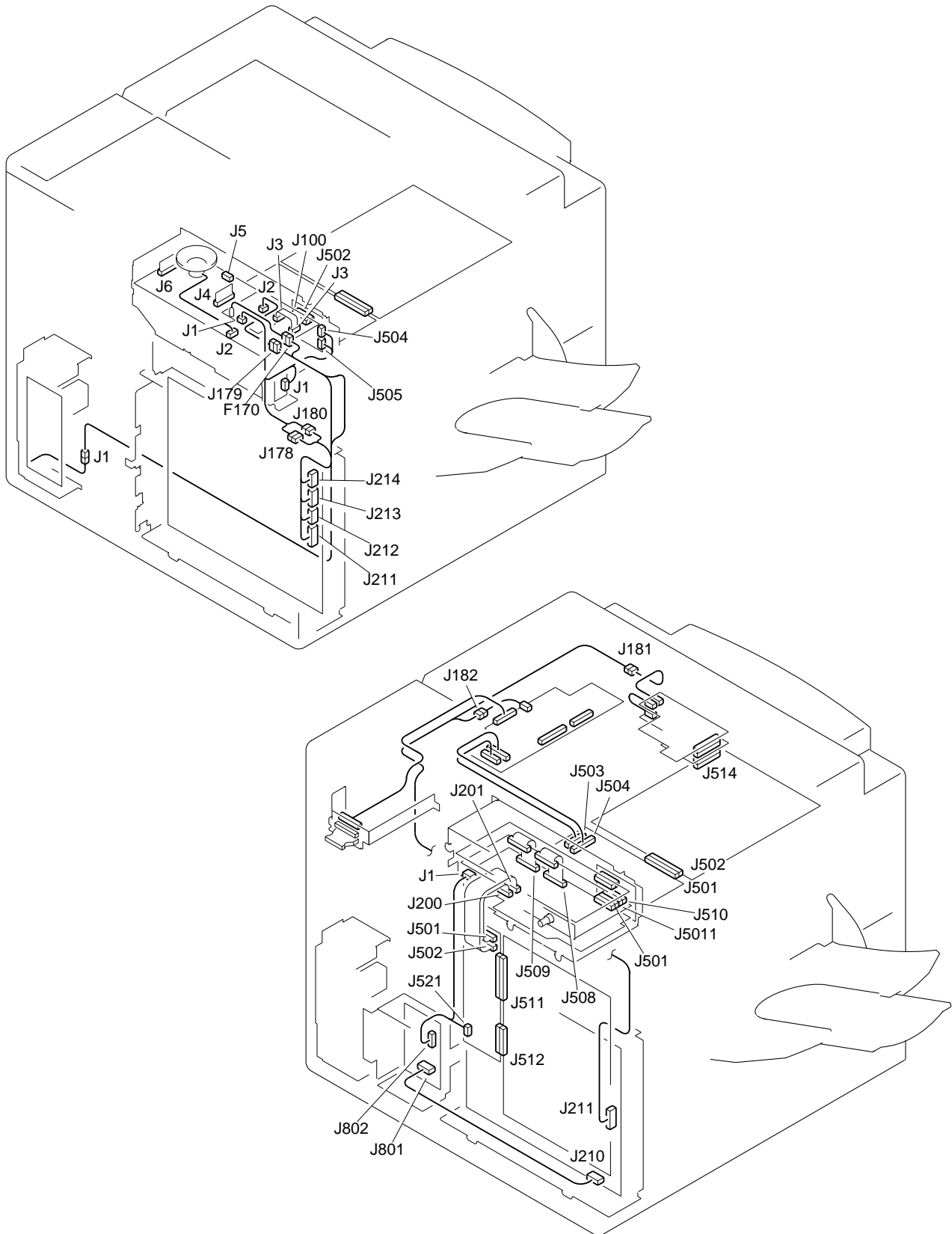


FIGURE & KEY NO.	PART NUMBER	R A N K	Q' T Y	DESCRIPTION	SERIAL NUMBER / REMARKS
B - F 1 7 0	NPN		RF	LIST OF CONNECTORS	
	VS4 - 0001 - 002		1	CONNECTOR, 2P, MALE	GP215F/210F 100V 216F/216FP/211F 100V GP200E/200F 120V
	VS4 - 0002 - 002		1	CONNECTOR, 2P, FEMALE	GP215F/210F 100V 216F/216FP/211F 100V GP200E/200F 120V
J 1	WS4 - 0217 - 000		1	SOCKET CONTACT, 22-18AWG	GP215F/210F 100V 216F/216FP/211F 100V GP200E/200F 120V
	WS4 - 0219 - 000		1	PIN CONTACT, 18-22AWG	GP215F/210F 100V 216F/216FP/211F 100V GP200E/200F 120V
	PCB			PROTOCOL CONTROL	GP215P/216FP 100V GP200E NJY/200F 120V
J 1	VS3 - 5083 - 004		1	CONNECTOR, 4P, FEMALE	GP215P/216FP 100V GP200E NJY/200F 120V
	WS3 - 5160 - 000		4	SOCKET CONTACT, 18-24AWG	GP215P/216FP 100V GP200E NJY/200F 120V
	PCB			NCU BOARD	GP215F/210F GP216F/216FP/211F GP200E/200F
	PCB			MODULAR	GP215F/210F GP216F/216FP/211F
J 2	PCB			SERVICE SWITCH	GP200E/200F
	VS1 - 0842 - 002		1	CONNECTOR, 2P, FEMALE	
	VS4 - 0001 - 002		1	CONNECTOR, 2P, MALE	100V
	VS4 - 0002 - 002		1	CONNECTOR, 2P, FEMALE	GP215F/210F/200F
J 2	WS4 - 0219 - 000		1	PIN CONTACT, 18-22AWG	100V
	WS4 - 0217 - 000		2	SOCKET CONTACT, 22-18AWG	GP215F/210F/200F
	PCB			NCU BOARD	GP215F 220V GP210F 220V
	PCB			MODULAR	GP215F 220V GP210F 220V
J 2	VS3 - 5121 - 004		1	CONNECTOR, 4P, FEMALE	
	VS3 - 5122 - 004		1	CONNECTOR, 4P, MALE	
	WS3 - 5291 - 000		4	PIN CONTACT	
	WS3 - 5292 - 000		4	SOCKET CONTACT	
J 2	PCB			FAX BOARD	GP215F/210F GP216F/216FP/211F GP200E/200F

FIGURE & KEY NO.	PART NUMBER	RANK	QTY	DESCRIPTION	SERIAL NUMBER / REMARKS
B - J 2	NPN			SPEAKER	GP215F/210F GP216F/216FP/211F GP200E/200F
	PCB			NCU BOARD	GP215F/210F 100V GP200E NJY/200F GP216F/216FP 100V GP211F 100V
	VS3 - 0276 - 002		1	CONNECTOR, 2P, FEMALE	GP215F/210F 100V GP200E NJY/200F
J 3	VS3 - 5083 - 002		1	CONNECTOR, 2P, FEMALE	GP216F/216FP 100V GP211F 100V
	WS3 - 1273 - 000		2	SOCKET CONTACT	GP215F/210F 100V GP200E NJY/200F
	WS3 - 5254 - 000		2	TERNIMAL, 18-24AWG	GP216F/216FP 100V GP211F 100V
	VS3 - 5121 - 002		1	CONNECTOR, 2P, FEMALE	
	VS3 - 5122 - 002		1	CONNECTOR, 2P, MALE	
J 4	WS3 - 5291 - 000		2	PIN CONTACT	
	WS3 - 5292 - 000		2	SOCKET CONTACT	
	PCB			NCU BOARD	GP215F 220V GP210F 220V
	PCB			MODULAR	GP215F 220V GP210F 220V
	PCB			FAX BOARD	GP215F/210F GP216F/216FP/211F
J 4	PCB			NCU BOARD	GP200E/200F GP215F/210F GP216F/216FP/211F GP200E/200F
	PCB			NCU BOARD	GP215F 220V GP210F 220V
	PCB			MODULAR	GP215F 220V GP210F 220V
J 9	VS3 - 5121 - 002		1	CONNECTOR, 2P, FEMALE	
	VS3 - 5122 - 002		1	CONNECTOR, 2P, MALE	
	WS3 - 5291 - 000		2	PIN CONTACT	
	WS3 - 5292 - 000		2	SOCKET CONTACT	
J 9	NPN			CASSETTE HEATER	100/220/240V
J 11	VS4 - 0002 - 002		1	CONNECTOR, 2P, FEMALE	
	WS4 - 0217 - 000		2	SOCKET CONTACT, 22-18AWG	
	NPN			ENVIRONMENT HEATER SWITCH	SW4
	VS4 - 0002 - 002		1	CONNECTOR, 2P, FEMALE	
	WS4 - 0217 - 000		1	SOCKET CONTACT, 22-18AWG	

FIGURE & KEY NO.	PART NUMBER	R A N K	Q' T Y	DESCRIPTION	SERIAL NUMBER / REMARKS
B - J 20	PCB			SYSTEM MOTHER BOARD	GP215P/216FP 100V
	PCB			LIPS PRINTER BOARD	GP215P/216FP 100V
	VS1 - 0279 - 005		1	CONNECTOR, 5P, FEMALE	
	VS3 - 0108 - 005		1	CONNECTOR, 5P, MALE	
	WS3 - 0437 - 000		4	SOCKET CONTACT, 20-30AWG	
J 21	WS3 - 0885 - 000		4	PIN CONTACT, 20-30AWG	
	NPN			SYSTEM COOLING FAN	FM5
	VS1 - 0842 - 002		1	CONNECTOR, 2P, FEMALE	
	VS1 - 5057 - 002		1	CONNECTOR, SNAP TIGHT	
	PCB			SYSTEM MOTHER BOARD	GP215P/216FP 100V
J 23	PCB			LIPS PRINTER BOARD	GP215P/216FP 100V
	VS4 - 0001 - 006		1	CONNECTOR, 6P, MALE	
	VS4 - 0002 - 006		1	CONNECTOR, 6P, FEMALE	
	WS4 - 0217 - 000		6	SOCKET CONTACT, 22-18AWG	
	WS4 - 0219 - 000		6	PIN CONTACT, 18-22AWG	
J 24	VS4 - 0001 - 004		1	CONNECTOR, 4P, MALE	
	VS4 - 0002 - 004		1	CONNECTOR, 4P, FEMALE	
	WS4 - 0217 - 000		4	SOCKET CONTACT, 22-18AWG	
	WS4 - 0219 - 000		4	PIN CONTACT, 18-22AWG	
J 25	NPN		SCANNER MOTOR	M2	
J 26	VS1 - 0279 - 005		1	CONNECTOR, 5P, FEMALE	
	WS3 - 0437 - 000		5	SOCKET CONTACT, 20-30AWG	
	VS1 - 0279 - 004		1	CONNECTOR, 4P, FEMALE	
	VS1 - 0280 - 004		1	CONNECTOR, 4P, MALE	
	WS3 - 0437 - 000		4	SOCKET CONTACT, 20-30AWG	
J 27	WS3 - 0885 - 000		4	PIN CONTACT, 20-30AWG	
	VS1 - 0279 - 004		1	CONNECTOR, 4P, FEMALE	
	VS1 - 0280 - 004		1	CONNECTOR, 4P, MALE	
	WS3 - 0437 - 000		4	SOCKET CONTACT, 20-30AWG	
	WS3 - 5016 - 000		4	PIN CONTACT, 30-26AWG	

FIGURE & KEY NO.	PART NUMBER	RANK	QTY	DESCRIPTION	SERIAL NUMBER / REMARKS
B - J 2 8	VS1 - 0842 - 007		2	CONNECTOR, 7P, FEMALE	
	VS1 - 5057 - 007		1	CONNECTOR, SNAP TIGHT	
J 2 9	VS4 - 0001 - 002		1	CONNECTOR, 2P, MALE	
	VS4 - 0002 - 002		1	CONNECTOR, 2P, FEMALE	
	WS4 - 0217 - 000		2	SOCKET CONTACT, 22-18AWG	
	WS4 - 0219 - 000		2	PIN CONTACT, 18-22AWG	
J 3 0	VS1 - 0842 - 002		2	CONNECTOR, 2P, FEMALE	
	VS1 - 5057 - 002		1	CONNECTOR, SNAP TIGHT	
J 3 1	NPN			SCANNER HOME POSITION SENSOR	PS1
	VS1 - 0842 - 003		1	CONNECTOR, 3P, FEMALE	
J 3 2	VS1 - 0842 - 002		2	CONNECTOR, 2P, FEMALE	
	VS1 - 5057 - 002		1	CONNECTOR, SNAP TIGHT	
J 3 3	VS1 - 0842 - 012		2	CONNECTOR, 12P, FEMALE	
	VS1 - 5057 - 012		1	CONNECTOR, SNAP TIGHT	
J 3 4	NPN			RIGHT DOOR OPEN/CLOSE SENSOR	PS9
J 3 5	VS1 - 0842 - 003		1	CONNECTOR, 3P, FEMALE	
	NPN			MULTI PAPER SENSOR	PS4
J 3 6	VS1 - 0842 - 003		1	CONNECTOR, 3P, FEMALE	
	NPN			WASTE TONER SENSOR	PS10
J 3 7	VS1 - 0842 - 003		1	CONNECTOR, 3P, FEMALE	
	NPN			REGISTRATION CLATCH	CL1
J 3 8	VS1 - 0842 - 002		1	CONNECTOR, 2P, FEMALE	
	VS1 - 5057 - 002		1	CONNECTOR, SNAP TIGHT	
	NPN			DEVELOPING CLUTCH	CL4
J 3 9	VS1 - 0842 - 003		1	CONNECTOR, 3P, FEMALE	
	VS1 - 5057 - 003		1	CONNECTOR, SNAP TIGHT	
	NPN			LASER COOLING FAN	FM4
J 4 0	VS1 - 0842 - 002		1	CONNECTOR, 2P, FEMALE	
	VS1 - 5057 - 002		1	CONNECTOR, SNAP TIGHT	
	FF3 - 1136 - 000		1	CABLE, TONER SENSOR	

FIGURE & KEY NO.	PART NUMBER	R A N K	Q' T Y	DESCRIPTION	SERIAL NUMBER / REMARKS
B - J 4 0	FF3 - 1303 - 000		1	CABLE, TONER SENSOR	TS1
J 4 1	NPN			TONER SENSOR	
	FF3 - 1303 - 000		1	CABLE, TONER SENSOR	
J 4 2	VS1 - 0842 - 005		2	CONNECTOR, 5P, FEMALE	
	VS1 - 5057 - 005		1	CONNECTOR, SNAP TIGHT	
J 4 4	VS1 - 0842 - 006		2	CONNECTOR, 6P, FEMALE	
	VS1 - 5057 - 006		1	CONNECTOR, SNAP TIGHT	
J 4 5	VS1 - 0842 - 006		2	CONNECTOR, 6P, FEMALE	
	VS1 - 5057 - 006		1	CONNECTOR, SNAP TIGHT	
J 4 6	VS1 - 0842 - 007		2	CONNECTOR, 7P, FEMALE	
	VS1 - 5057 - 007		1	CONNECTOR, SNAP TIGHT	PS2
J 4 7	NPN			BELT SENSOR	
	VS1 - 0842 - 003		1	CONNECTOR, 3P, FEMALE	
J 4 8	NPN			FIXING PAPER SENSOR	PS7
	VS1 - 0842 - 003		1	CONNECTOR, 3P, FEMALE	
J 4 9	NPN			SETBACK MOTOR	M6
	VS1 - 0842 - 006		1	CONNECTOR, 6P, FEMALE	
	VS1 - 5057 - 006		1	CONNECTOR, SNAP TIGHT	
J 5 0	NPN			MAIN THERMISTOR	TH1
	NPN			SUB THERMISTOR	TH2
	NPN			FIXING THERMAL THERMISTOR	TH3
	VS1 - 0842 - 004		1	CONNECTOR, 4P, FEMALE	
	VS1 - 5057 - 004		1	CONNECTOR, SNAP TIGHT	
J 5 1	VS1 - 0842 - 002		2	CONNECTOR, 2P, FEMALE	
	VS1 - 5057 - 002		1	CONNECTOR, SNAP TIGHT	
J 5 3	NPN			PAPER FEED FAN	FM1
	VS1 - 0842 - 002		1	CONNECTOR, 2P, FEMALE	
	VS1 - 5057 - 002		1	CONNECTOR, SNAP TIGHT	
J 5 4	NPN			PAPER REVERSE MOTOR	EXCEPT GP210 100V EXCEPT GP210F 100V EXCEPT GP211 100V EXCEPT GP211F 100V

FIGURE & KEY NO.	PART NUMBER	RANK	QTY	DESCRIPTION	SERIAL NUMBER / REMARKS
B - J 5 4	NPN			PAPER REVERSE MOTOR	M8
	VS1 - 0842 - 006		1	CONNECTOR, 6P, FEMALE	EXCEPT GP210 100V EXCEPT GP210F 100V
	VS1 - 5057 - 006		1	CONNECTOR, SNAP TIGHT	EXCEPT GP211 100V EXCEPT GP211F 100V EXCEPT GP210 100V EXCEPT GP210F 100V EXCEPT GP211 100V EXCEPT GP211F 100V
J 5 5	NPN			EXHAUST FAN 1	FM2
	VS1 - 0842 - 002		1	CONNECTOR, 2P, FEMALE	
	VS1 - 5057 - 002		1	CONNECTOR, SNAP TIGHT	
J 5 6	NPN			EXHAUST FAN 2	FM3
	VS1 - 0842 - 002		1	CONNECTOR, 2P, FEMALE	
J 5 7	VS1 - 5057 - 002		1	CONNECTOR, SNAP TIGHT	
	NPN			COUNTER 1	CNT1
	VS1 - 5824 - 002		1	CONNECTOR, 2P, FEMALE	EXCEPT MODEL B 100V
	VS1 - 0842 - 002		1	CONNECTOR, 2P, FEMALE	MODEL B 100V
	VS1 - 5057 - 002		1	CONNECTOR, SNAP TIGHT	
J 5 8	WS3 - 5358 - 000		2	SOCKET CONTACT, 22-26AWG	EXCEPT MODEL B 100V
	NPN			REGIST. FRONT PAPER SENSOR 2	PS8
J 5 9	VS1 - 0842 - 003		1	CONNECTOR, 3P, FEMALE	
	NPN			REGIST. FRONT PAPER SENSOR 1	PS5
J 6 0	VS1 - 0842 - 003		2	CONNECTOR, 3P, FEMALE	
	VS1 - 5057 - 003		1	CONNECTOR, SNAP TIGHT	
J 6 1	NPN			PICK-UP ROLLER CLUTCH	CL2
	VS1 - 0842 - 002		1	CONNECTOR, 2P, FEMALE	
	VS1 - 5057 - 002		1	CONNECTOR, SNAP TIGHT	
J 6 2	NPN			MULTI PLATE RELEASE SOLENOID	SL3
	VS1 - 0842 - 002		1	CONNECTOR, 2P, FEMALE	
	VS1 - 5057 - 002		1	CONNECTOR, SNAP TIGHT	
J 6 3	NPN			ROLLER CLEANING SOLENOID	SL1
	VS1 - 0842 - 002		1	CONNECTOR, 2P, FEMALE	

FIGURE & KEY NO.	PART NUMBER	R A N K	Q' T Y	DESCRIPTION	SERIAL NUMBER / REMARKS
B - J 6 5	NPN			COPYBOARD OPEN/CLOSE SENSOR	PS3
	VS1 - 0842 - 003		1	CONNECTOR, 3P, FEMALE	
J 6 6	VS1 - 0842 - 003		2	CONNECTOR, 3P, FEMALE	EXCEPT GP210/210F EXCEPT GP211/211F
	VS1 - 5057 - 003		1	CONNECTOR, SNAP TIGHT	EXCEPT GP210/210F EXCEPT GP211/211F
J 6 7	NPN			SIDE REGIST. PAPER SENSOR	EXCEPT GP210/210F EXCEPT GP211/211F
					PS14
	VS1 - 5824 - 003		1	CONNECTOR, 3P, FEMALE	EXCEPT GP210/210F EXCEPT GP211/211F
	WS3 - 5358 - 000		3	SOCKET CONTACT, 22-26AWG	EXCEPT GP210/210F EXCEPT GP211/211F
J 6 8	VS1 - 0842 - 006		2	CONNECTOR, 6P, FEMALE	EXCEPT GP210/210F EXCEPT GP211/211F
	VS1 - 5057 - 006		1	CONNECTOR, SNAP TIGHT	EXCEPT GP210/210F EXCEPT GP211/211F
J 6 9	VS1 - 0842 - 011		2	CONNECTOR, 11P, FEMALE	EXCEPT GP210 100V EXCEPT GP210F 100V EXCEPT GP211 100V EXCEPT GP211F 100V
	VS1 - 5057 - 011		1	CONNECTOR, SNAP TIGHT	EXCEPT GP210 100V EXCEPT GP210F 100V EXCEPT GP211 100V EXCEPT GP211F 100V
J 7 0	NPN			PAPER REVERSE SENSOR	EXCEPT GP210 100V EXCEPT GP210F 100V
					EXCEPT GP211 100V EXCEPT GP211F 100V PS13
	VS1 - 0842 - 003		1	CONNECTOR, 3P, FEMALE	EXCEPT GP210 100V EXCEPT GP210F 100V EXCEPT GP211 100V EXCEPT GP211F 100V
J 7 1	NPN			DELIVERY FLAPPER SOLENOID	EXCEPT GP210 100V EXCEPT GP210F 100V
					EXCEPT GP211 100V EXCEPT GP211F 100V SL5
	VS1 - 0842 - 002		1	CONNECTOR, 2P, FEMALE	EXCEPT GP210 100V EXCEPT GP210F 100V EXCEPT GP211 100V EXCEPT GP211F 100V
	VS1 - 5057 - 002		1	CONNECTOR, SNAP TIGHT	EXCEPT GP210 100V EXCEPT GP210F 100V
J 7 3	VS1 - 0842 - 005		2	CONNECTOR, 5P, FEMALE	EXCEPT GP211 100V EXCEPT GP211F 100V EXCEPT GP210/210F EXCEPT GP211/211F
	VS1 - 5057 - 005		1	CONNECTOR, SNAP TIGHT	EXCEPT GP210/210F EXCEPT GP211/211F
J 7 4	NPN			PAPER PICK-UP SENSOR	PS11
	VS1 - 0842 - 003		1	CONNECTOR, 3P, FEMALE	

FIGURE & KEY NO.	PART NUMBER	RANK	QTY	DESCRIPTION	SERIAL NUMBER / REMARKS
B - J 7 5	NPN			PICK-UP FLAPPER SOLENOID	SL4
	VS1 - 0842 - 002		1	CONNECTOR, 2P, FEMALE	
	VS1 - 5057 - 002		1	CONNECTOR, SNAP TIGHT	
J 7 6	NPN			BELT MOTOR	EXCEPT GP210/210F EXCEPT GP211/211F M5
	VS1 - 0842 - 006		1	CONNECTOR, 6P, FEMALE	EXCEPT GP210/210F EXCEPT GP211/211F
	VS1 - 5057 - 006		1	CONNECTOR, SNAP TIGHT	EXCEPT GP210/210F EXCEPT GP211/211F
J 7 7	VS1 - 0842 - 004		2	CONNECTOR, 4P, FEMALE	
	VS1 - 5057 - 004		1	CONNECTOR, SNAP TIGHT	
J 7 9	VS1 - 0842 - 003		2	CONNECTOR, 3P, FEMALE	
	VS1 - 5057 - 003		1	CONNECTOR, SNAP TIGHT	
J 8 0	NPN			DUPLEXING INLET PAPER SENSOR	PS12
	VS1 - 0842 - 003		1	CONNECTOR, 3P, FEMALE	
J 8 1	NPN			DUPLEXING MOTOR	M7
	VS1 - 0842 - 006		1	CONNECTOR, 6P, FEMALE	
J 8 2	FF3 - 1136 - 000		1	CABLE, TONER SENSOR	
	VS1 - 0842 - 003		1	CONNECTOR, 3P, FEMALE	
J 8 4	VS1 - 0842 - 004		2	CONNECTOR, 4P, FEMALE	
	VS1 - 5057 - 004		1	CONNECTOR, SNAP TIGHT	
J 8 9	VS1 - 0842 - 003		2	CONNECTOR, 3P, FEMALE	EXCEPT GP210 100V EXCEPT GP210F 100V EXCEPT GP211 100V EXCEPT GP211F 100V
	VS1 - 5057 - 003		1	CONNECTOR, SNAP TIGHT	EXCEPT GP210 100V EXCEPT GP210F 100V EXCEPT GP211 100V EXCEPT GP211F 100V
J 9 1	NPN			DEHUMIDIFIER SWITCH	SW3
	VS1 - 0842 - 003		1	CONNECTOR, 3P, FEMALE	
	VS1 - 5057 - 003		1	CONNECTOR, SNAP TIGHT	
J 9 2	VS1 - 0842 - 003		1	CONNECTOR, 3P, FEMALE	EXCEPT GP210/210F EXCEPT GP211/211F
	VS1 - 5057 - 003		1	CONNECTOR, SNAP TIGHT	EXCEPT GP210/210F EXCEPT GP211/211F
	VS1 - 5824 - 003		1	CONNECTOR, 3P, FEMALE	EXCEPT GP210/210F EXCEPT GP211/211F
	WS3 - 5358 - 000		3	SOCKET CONTACT, 22-26AWG	EXCEPT GP210/210F EXCEPT GP211/211F
J 9 3	NPN			COUNTER 2	EXCEPT MODEL B 100V CNT2

FIGURE & KEY NO.	PART NUMBER	RANK	QTY	DESCRIPTION	SERIAL NUMBER / REMARKS
B - J 93	VS1 - 5057 - 003		1	CONNECTOR, SNAP TIGHT	EXCEPT MODEL B 100V
	VS1 - 5824 - 003		1	CONNECTOR, 3P, FEMALE	EXCEPT MODEL B 100V
	WS3 - 5358 - 000		2	SOCKET CONTACT, 22-26AWG	EXCEPT MODEL B 100V
J 94	NPN			COUNTER 3	120/220/240V CNT3
	VS1 - 0280 - 002		1	CONNECTOR, 2P, MALE	120/220/240V
J 95	WS3 - 0885 - 000		2	PIN CONTACT, 20-30AWG	120/220/240V
	VS1 - 0279 - 005		1	CONNECTOR, 5P, FEMALE	
	VS1 - 0280 - 005		1	CONNECTOR, 5P, MALE	
	WS3 - 0437 - 000		4	SOCKET CONTACT, 20-30AWG	
	WS3 - 0885 - 000		4	PIN CONTACT, 20-30AWG	
J 97	VS1 - 0842 - 006		2	CONNECTOR, 6P, FEMALE	
	VS1 - 5057 - 006		1	CONNECTOR, SNAP TIGHT	
J 99	NPN			REGIST SENSOR CARRIER MOTOR	EXCEPT GP210/210F EXCEPT GP211/211F M9
	VS1 - 0842 - 006		1	CONNECTOR, 6P, FEMALE	EXCEPT GP210/210F EXCEPT GP211/211F
	VS1 - 5057 - 006		1	CONNECTOR, SNAP TIGHT	EXCEPT GP210/210F EXCEPT GP211/211F
J 100	PCB			FAX MOTHER BOARD	GP215F/215P/210F GP216F/216FP/211F GP200/200D/200E/200F
	PCB			FAX BOARD	GP215F/210F GP216F/216FP/211F GP200E/200F
J 101	PCB			DC CONTROLLER	
J 102	VS3 - 5083 - 007		1	CONNECTOR, 7P, FEMALE	
	WS3 - 5160 - 000		7	SOCKET CONTACT, 18-24AWG	
	PCB			DC CONTROLLER	
	VS1 - 0842 - 010		1	CONNECTOR, 10P, FEMALE	
	VS1 - 0852 - 010		1	CONNECTOR, 10P, FEMALE	
J 103	VS9 - 5009 - 020		1	HOLDER, CONNECTOR, 20P	
	PCB			DC CONTROLLER	EXCEPT GP210/210F EXCEPT GP211/211F
J 104	VS1 - 0842 - 012		1	CONNECTOR, 12P, FEMALE	EXCEPT GP210/210F EXCEPT GP211/211F
	PCB			DC CONTROLLER	
	VS1 - 0842 - 014		1	CONNECTOR, 14P, FEMALE	

FIGURE & KEY NO.	PART NUMBER	RANK	QTY	DESCRIPTION	SERIAL NUMBER / REMARKS
B - J 1 0 5	PCB			DC CONTROLLER	
	VS1 - 0842 - 011		1	CONNECTOR, 11P, FEMALE	
	VS1 - 0852 - 011		1	CONNECTOR, 11P, FEMALE	
	VS9 - 5009 - 022		1	HOLDER, CONNECTOR, 22P	
J 1 0 6	PCB		DC CONTROLLER		
J 1 0 7	VS1 - 0842 - 011		1	CONNECTOR, 11P, FEMALE	
	PCB			DC CONTROLLER	
	VS1 - 0842 - 012		1	CONNECTOR, 12P, FEMALE	
	VS1 - 0852 - 012		1	CONNECTOR, 12P, FEMALE	
J 1 0 8	VS9 - 5009 - 024		1	HOLDER, CONNECTOR, 24P	
	PCB			DC CONTROLLER	
	VS1 - 0842 - 004		1	CONNECTOR, 4P, FEMALE	
	J 1 0 9	PCB		DC CONTROLLER	
J 1 1 0	VS1 - 0842 - 013		1	CONNECTOR, 13P, FEMALE	
	PCB			DC CONTROLLER	
J 1 1 1	VS1 - 0842 - 012		1	CONNECTOR, 12P, FEMALE	
	PCB			DC CONTROLLER	
	FH2 - 6310 - 000		1	CABLE, FLAT, 1	100/120V EXCEPT NJS
J 1 1 2	FF3 - 2343 - 000		1	CABLE, FLAT, 1	120V NJS/220/240V
	PCB			DC CONTROLLER	
J 1 1 3	VS1 - 0842 - 010		1	CONNECTOR, 10P, FEMALE	
	PCB			DC CONTROLLER	
	VS1 - 0842 - 015		1	CONNECTOR, 15P, FEMALE	
	VS1 - 0852 - 015		1	CONNECTOR, 15P, FEMALE	
J 1 1 4	VS9 - 5009 - 030		1	HOLDER, CONNECTOR, 30P	
	PCB			DC CONTROLLER	
	VS1 - 0842 - 013		1	CONNECTOR, 13P, FEMALE	
	VS1 - 0852 - 013		1	CONNECTOR, 13P, FEMALE	
J 1 1 5	VS9 - 5009 - 026		1	HOLDER, CONNECTOR, 26P	
	PCB			DC CONTROLLER	EXCEPT GP210/210F EXCEPT GP211/211F

FIGURE & KEY NO.	PART NUMBER	R A N K	Q' T Y	DESCRIPTION	SERIAL NUMBER / REMARKS
B - J 1 1 5	VS1 - 0842 - 007		1	CONNECTOR, 7P, FEMALE	EXCEPT GP210/210F EXCEPT GP211/211F
J 1 1 6	PCB			DC CONTROLLER	
	VS1 - 0279 - 005		1	CONNECTOR, 5P, FEMALE	
	WS3 - 0437 - 000		5	SOCKET CONTACT, 20-30AWG	
J 1 1 7	PCB			DC CONTROLLER	
	VS1 - 0842 - 009		1	CONNECTOR, 9P, FEMALE	EXCEPT GP210/210F EXCEPT GP211/211F
J 1 2 2	PCB			DC CONTROLLER	
	VS1 - 0842 - 006		1	CONNECTOR, 6P, FEMALE	
J 1 2 4	PCB			DC CONTROLLER	
	VS1 - 0842 - 002		1	CONNECTOR, 2P, FEMALE	120/220/240V
J 1 4 1	PCB			APC POWER SUPPLY	120/220/240V
	VS3 - 5083 - 005		1	CONNECTOR, 5P, FEMALE	
	WS3 - 5160 - 000		2	SOCKET CONTACT, 18-24AWG	
J 1 4 2	PCB			APC POWER SUPPLY	
	VS3 - 5083 - 004		1	CONNECTOR, 4P, FEMALE	
J 1 4 3	WS3 - 5160 - 000		4	SOCKET CONTACT, 18-24AWG	
	PCB			APC POWER SUPPLY	
	VS3 - 5083 - 004		1	CONNECTOR, 4P, FEMALE	
	WS3 - 5160 - 000		4	SOCKET CONTACT, 18-24AWG	
J 1 4 4	PCB			APC POWER SUPPLY	
J 1 5 0	VS1 - 0842 - 002		1	CONNECTOR, 2P, FEMALE	M1
	NPN			MAIN MOTOR	
	VS3 - 5083 - 002		1	CONNECTOR, 2P, FEMALE	
	WS3 - 5160 - 000		2	SOCKET CONTACT, 18-24AWG	
J 1 5 1	NPN			MAIN MOTOR	M1
J 1 5 2	VS1 - 0842 - 004		1	CONNECTOR, 4P, FEMALE	
	PCB			POLYGON MOTOR DRIVER	
	VS3 - 5083 - 002		1	CONNECTOR, 2P, FEMALE	
	WS3 - 5160 - 000		2	SOCKET CONTACT, 18-24AWG	
J 1 5 3	PCB			POLYGON MOTOR DRIVER	

FIGURE & KEY NO.	PART NUMBER	RANK	QTY	DESCRIPTION	SERIAL NUMBER / REMARKS
B - J 1 5 3	VS1 - 0842 - 004		1	CONNECTOR, 4P, FEMALE	ACCESSORY
J 1 5 4	PCB			POLYGON MOTOR DRIVER	
	FH2 - 6351 - 000		1	CABLE, FLAT	
J 1 7 0	SYS			SORTER	
	FH2 - 5819 - 000		1	CONNECTOR, 12P, FEMALE	
	FH2 - 5820 - 000		4	PIN CONTACT, 22-26AWG	ACCESSORY
	FH2 - 5825 - 000		5	PIN CONTACT, 16-20AWG	
J 1 7 1	SYS			DF	
	FH2 - 5819 - 000		1	CONNECTOR, 12P, FEMALE	
	FH2 - 5820 - 000		5	PIN CONTACT, 22-26AWG	
	FH2 - 5825 - 000		7	PIN CONTACT, 16-20AWG	ACCESSORY
J 1 7 2	SYS			CASSETTE PEDESTAL	
	FH2 - 5819 - 000		1	CONNECTOR, 12P, FEMALE	
	FH2 - 5820 - 000		7	PIN CONTACT, 22-26AWG	
	FH2 - 5825 - 000		3	PIN CONTACT, 16-20AWG	
J 1 7 4	VS1 - 0842 - 008		2	CONNECTOR, 8P, FEMALE	ACCESSORY
	VS1 - 5057 - 008		1	CONNECTOR, SNAP TIGHT	
J 1 7 6	SYS			SORTER	
	VS1 - 0842 - 014		1	CONNECTOR, 14P, FEMALE	
	VS1 - 5057 - 014		1	CONNECTOR, SNAP TIGHT	
J 1 7 8	VS1 - 0842 - 003		2	CONNECTOR, 3P, FEMALE	GP215F/215P/210F GP216F/216FP/211F GP200/200D/200E/200F
	VS1 - 5057 - 003		1	CONNECTOR, SNAP TIGHT	GP215F/215P/210F GP216F/216FP/211F GP200/200D/200E/200F
J 1 7 9	VS1 - 0279 - 002		1	CONNECTOR, 2P, FEMALE	GP215F/210F 100V GP216F/211F 100V
	VS3 - 0108 - 002		1	CONNECTOR, 2P, MALE	GP216FP 100V GP200E NJY/200F 120V GP215F/210F 100V GP216F/211F 100V GP216FP 100V
	VS3 - 0269 - 002		1	CONNECTOR, 2P, MALE	GP200E NJY/200F 120V
	WS3 - 0469 - 000		2	SOCKET CONTACT, 26-30AWG	GP215F/210F 100V GP216F/211F 100V

FIGURE & KEY NO.	PART NUMBER	RANK	QTY	DESCRIPTION	SERIAL NUMBER / REMARKS
B - J 179	WS3 - 0469 - 000		2	SOCKET CONTACT, 26-30AWG	GP216FP 100V GP200E/NJY/200F 120V
	WS3 - 0885 - 000		2	PIN CONTACT, 20-30AWG	GP215F/210F 100V GP216F/211F 100V GP216FP 100V
	WS3 - 1141 - 000		2	PIN CONTACT	GP200E NJY/200F 120V
J 180	VS1 - 5730 - 005		1	CONNECTOR, 5P, MALE	GP215F/215P/210F GP216F/216FP/211F
	VS3 - 5083 - 005		1	CONNECTOR, 5P, FEMALE	GP200/200D/200E/200F GP215F/215P/210F GP216F/216FP/211F GP200/200D/200E/200F
	WS3 - 5160 - 000		5	SOCKET CONTACT, 18-24AWG	GP215F/215P/210F GP216F/216FP/211F GP200/200D/200E/200F
	WS3 - 5301 - 000		5	PIN CONTACT	GP215F/215P/210F GP216F/216FP/211F GP200/200D/200E/200F
J 181	SYS			IMAGE CREATION BOARD-B1	ACCESSORY
	VS3 - 5083 - 002		1	CONNECTOR, 2P, FEMALE	
	WS3 - 5160 - 000		2	SOCKET CONTACT, 18-24AWG	
J 182	SYS			SCSI INTERFACE BOARD-C1	ACCESSORY
	VS3 - 5083 - 002		1	CONNECTOR, 2P, FEMALE	
	WS3 - 5160 - 000		2	SOCKET CONTACT, 18-24AWG	
J 183	VS1 - 0279 - 004		1	CONNECTOR, 4P, FEMALE	
	VS3 - 0108 - 004		1	CONNECTOR, 4P, MALE	
J 184	WS3 - 0469 - 000		2	SOCKET CONTACT, 26-30AWG	
	WS3 - 0885 - 000		4	PIN CONTACT, 20-30AWG	
	SYS			RS-232C I/F CABLE	
	VS3 - 5202 - 009		1	CONNECTOR, 9P, MALE	
J 200	PCB			PROTOCOL CONTROL	GP215P/216FP 100V GP200E NJY/200F 120V
J 201	FH2 - 6355 - 000		1	CABLE, CONNECTING, 1	GP215P/216FP 100V GP200E NJY/200F 120V
	PCB			DC POWER SUPPLY	
	VS3 - 5083 - 005		1	CONNECTOR, 5P, FEMALE	
	WS3 - 5160 - 000		2	SOCKET CONTACT, 18-24AWG	
	PCB			PROTOCOL CONTROL	GP215P/216FP 100V GP200E NJY/200F 120V

FIGURE & KEY NO.	PART NUMBER	RANK	QTY	DESCRIPTION	SERIAL NUMBER / REMARKS
B - J 2 0 1	FH2 - 6356 - 000		1	CABLE, CONNECTING, 2	GP215P/216FP 100V GP200E NJY/200F 120V
J 2 0 4	PCB			DC POWER SUPPLY	
	VS3 - 5083 - 010		1	CONNECTOR, 10P, FEMALE	
	WS3 - 5160 - 000		10	SOCKET CONTACT, 18-24AWG	
J 2 0 5	PCB			DC POWER SUPPLY	
	VS3 - 5083 - 005		1	CONNECTOR, 5P, FEMALE	
	WS3 - 5160 - 000		2	SOCKET CONTACT, 18-24AWG	
J 2 0 6	PCB			DC POWER SUPPLY	
	VS3 - 5083 - 007		1	CONNECTOR, 7P, FEMALE	
	WS3 - 5160 - 000		2	SOCKET CONTACT, 18-24AWG	
J 2 0 8	PCB			DC POWER SUPPLY	
	VS3 - 5083 - 005		1	CONNECTOR, 5P, FEMALE	
	WS3 - 5160 - 000		4	SOCKET CONTACT, 18-24AWG	
J 2 0 9	PCB			DC POWER SUPPLY	
	VS1 - 0842 - 010		1	CONNECTOR, 10P, FEMALE	
	VS1 - 0852 - 010		1	CONNECTOR, 10P, FEMALE	
	VS9 - 5009 - 020		1	HOLDER, CONNECTOR, 20P	
J 2 1 0	PCB			DC POWER SUPPLY	
	VS3 - 5083 - 003		1	CONNECTOR, 3P, FEMALE	
	WS3 - 5160 - 000		2	SOCKET CONTACT, 18-24AWG	
J 2 1 1	PCB			DC POWER SUPPLY	
	VS3 - 5083 - 010		1	CONNECTOR, 10P, FEMALE	
	WS3 - 5160 - 000		10	SOCKET CONTACT, 18-24AWG	
J 2 1 2	PCB			DC POWER SUPPLY	
	VS3 - 5083 - 005		1	CONNECTOR, 5P, FEMALE	
J 2 1 3	WS3 - 5160 - 000		5	SOCKET CONTACT, 18-24AWG	
	PCB			DC POWER SUPPLY	
	VS3 - 5083 - 006		1	CONNECTOR, 6P, FEMALE	
	WS3 - 5160 - 000		6	SOCKET CONTACT, 18-24AWG	
J 2 1 4	PCB			DC POWER SUPPLY	

FIGURE & KEY NO.	PART NUMBER	RANK	QTY	DESCRIPTION	SERIAL NUMBER / REMARKS	
B - J 214	VS3 - 5083 - 004		1	CONNECTOR, 4P, FEMALE		
	WS3 - 5160 - 000		3	SOCKET CONTACT, 18-24AWG		
	J 215	PCB			DC POWER SUPPLY	
		VS3 - 5083 - 002		1	CONNECTOR, 2P, FEMALE	
	WS3 - 5160 - 000		2	SOCKET CONTACT, 18-24AWG		
J 216	PCB			DC POWER SUPPLY		
	VS1 - 0842 - 005		1	CONNECTOR, 5P, FEMALE		
J 217	PCB			DC POWER SUPPLY		
	VS1 - 0842 - 006		1	CONNECTOR, 6P, FEMALE		
J 501	PCB			SYSTEM MOTHER BOARD	GP215P/216FP 100V GP200E NJY/200F 120V	
	FH2 - 6355 - 000		1	CABLE, CONNECTING, 1	GP215P/216FP 100V GP200E NJY/200F 120V	
	PCB			IMAGE PROCESSOR	GP215F/215P/210F GP216F/216FP/211F GP200/200D/200E/200F	
	PCB			CORE IMAGE PROCESSOR	GP215F/215P/210F GP216F/216FP/211F GP200/200D/200E/200F	
J 502	PCB			FAX MOTHER BOARD	GP215P/216FP 100V GP200E NJY/200F 120V	
	PCB			PROTOCOL CONTROL	GP215P/216FP 100V GP200E NJY/200F 120V	
	PCB			SYSTEM MOTHER BOARD	GP215P/216FP 100V GP200E NJY/200F 120V	
	FH2 - 6356 - 000		1	CABLE, CONNECTING, 2	GP215P/216FP 100V GP200E NJY/200F 120V	
	PCB			IMAGE PROCESSOR	GP215F/215P/210F GP216F/216FP/211F	
					GP200/200D/200E/200F	
	PCB			CORE IMAGE PROCESSOR	GP215F/215P/210F GP216F/216FP/211F GP200/200D/200E/200F	
	PCB			FAX MOTHER BOARD	GP215F/215P/210F GP216F/216FP/211F GP200/200D/200E/200F	
J 503	PCB			FAX BOARD	GP215F/210F GP216F/216FP/211F GP200E/200F	
	SYS			SCSI INTERFACE BOARD-C1	ACCESSORY	
	PCB			CORE IMAGE PROCESSOR	GP215F/215P/210F GP216F/216FP/211F GP200/200D/200E/200F	

FIGURE & KEY NO.	PART NUMBER	RANK	QTY	DESCRIPTION	SERIAL NUMBER / REMARKS
B - J 504	SYS			SCSI INTERFACE BOARD-C1	ACCESSORY
	PCB			CORE IMAGE PROCESSOR	GP215F/215P/210F GP216F/216FP/211F GP200/200D/200E/200F
	PCB			IMAGE PROCESSOR	
	VS1 - 0842 - 004		1	CONNECTOR, 4P, FEMALE	
	PCB			FAX MOTHER BOARD	GP215F/215P/210F GP216F/216FP/211F GP200/200D/200E/200F
	VS1 - 0842 - 003		1	CONNECTOR, 3P, FEMALE	GP215F/215P/210F GP216F/216FP/211F GP200/200D/200E/200F
J 505	PCB			FAX MOTHER BOARD	GP215F/215P/210F GP216F/216FP/211F
	PCB			IMAGE PROCESSOR	GP200/200D/200E/200F
	NPN			DOCUMENT SIZE SENSOR 1	
	VS3 - 5083 - 005		1	CONNECTOR, 5P, FEMALE	GP215F/215P/210F GP216F/216FP/211F GP200/200D/200E/200F
J 506	WS3 - 5160 - 000		5	SOCKET CONTACT, 18-24AWG	GP215F/215P/210F GP216F/216FP/211F GP200/200D/200E/200F
	PCB			IMAGE PROCESSOR	
	NPN			DOCUMENT SIZE SENSOR 2	
J 507	PCB			IMAGE PROCESSOR	
J 508	NPN			DOCUMENT SIZE SENSOR 3	
	SYS			NIB-E3/E3e/TR3	ACCESSORY
	PCB			PROTOCOL CONTROL	GP215P/216FP 100V GP200E NJY/200F 120V
	PCB			IMAGE PROCESSOR	
J 509	NPN			DOCUMENT SIZE SENSOR 4	
	SYS			NIB-E3/E3e/TR3	ACCESSORY
	PCB			PROTOCOL CONTROL	GP215P/216FP 100V GP200E NJY/200F 120V
	PCB			IMAGE PROCESSOR	
	FH2 - 6310 - 000		1	CABLE, FLAT, 1	100/120V EXCEPT NJS
	FF3 - 2343 - 000		1	CABLE, FLAT, 1	120V NJS/220/240V

FIGURE & KEY NO.	PART NUMBER	R A N K	Q' T Y	DESCRIPTION	SERIAL NUMBER / REMARKS
B - J 5 1 0	PCB			FAX MOTHER BOARD	GP215F/215P/210F GP216F/216FP/211F GP200/200D/200E/200F
	PCB			CORE IMAGE PROCESSOR	GP215F/215P/210F GP216F/216FP/211F GP200/200D/200E/200F
J 5 1 1	PCB			SYSTEM MOTHER BOARD	GP215P/216FP 100V GP200E NJY/200F 120V
J 5 1 2	PCB			LIPS PRINTER BOARD	GP215P/216FP 100V
	PCB			MULTI PDL PRINTER BOARD	GP200E NJY/200F 120V
	PCB			IMAGE PROCESSOR	
	FH2 - 6400 - 000		1	CABLE, FLAT, 2	100/120V EXCEPT NJS
	FH2 - 6402 - 000		1	CABLE, FLAT, 2	120V NJS/220/240V
J 5 1 4	PCB			SYSTEM MOTHER BOARD	GP215P/216FP 100V GP200E NJY/200F 120V
	PCB			LIPS PRINTER BOARD	GP215P/216FP 100V
	PCB			MULTI PDL PRINTER BOARD	GP200E NJY/200F 120V
	SYS			IMAGE CREATION BOARD-B1	ACCESSORY
	PCB			IMAGE PROCESSOR	
J 5 1 6	PCB			IMAGE PROCESSOR	
J 5 1 7	VS1 - 0842 - 008		1	CONNECTOR, 8P, FEMALE	
	PCB			IMAGE PROCESSOR	
	VS1 - 0842 - 014		1	CONNECTOR, 14P, FEMALE	
	VS1 - 0852 - 014		1	CONNECTOR, 14P, FEMALE	
J 5 1 8	VS9 - 5009 - 028		1	HOLDER, CONNECTOR, 28P	
	PCB			IMAGE PROCESSOR	
J 5 1 9	VS1 - 0842 - 002		1	CONNECTOR, 2P, FEMALE	
	PCB			IMAGE PROCESSOR	
	VS1 - 0842 - 006		1	CONNECTOR, 6P, FEMALE	MODEL A
J 5 2 1	VS1 - 0842 - 010		1	CONNECTOR, 10P, FEMALE	MODEL B
	PCB			SYSTEM MOTHER BOARD	GP215P/216FP 100V GP200E NJY/200F 120V
	VS3 - 5083 - 004		1	CONNECTOR, 4P, FEMALE	GP215P/216FP 100V GP200E NJY/200F 120V
	WS3 - 5160 - 000		4	SOCKET CONTACT, 18-24AWG	GP215P/216FP 100V GP200E NJY/200F 120V
J 5 2 6	PCB			IMAGE PROCESSOR	

FIGURE & KEY NO.	PART NUMBER	RANK	QTY	DESCRIPTION	SERIAL NUMBER / REMARKS	
B - J 5 2 6	VS1 - 0842 - 009		1	CONNECTOR, 9P, FEMALE		
	WS3 - 5370 - 000		8	SOCKET CONTACT, 24-28AWG		
	J 5 6 0	PCB			IMAGE PROCESSOR	
		VS1 - 5824 - 004		1	CONNECTOR, 4P, FEMALE	
		WS3 - 5358 - 000		4	SOCKET CONTACT, 22-26AWG	
J 5 6 1	PCB			IMAGE PROCESSOR		
	VS1 - 0842 - 005		1	CONNECTOR, 5P, FEMALE		
J 6 0 1	PCB			LASER DRIVER		
	VS1 - 0861 - 004		1	CONNECTOR, 4P, FEMALE	MODEL A	
	VS1 - 0842 - 002		1	CONNECTOR, 2P, FEMALE	MODEL B	
J 6 0 2	PCB			LASER DRIVER		
	VS1 - 0861 - 006		1	CONNECTOR, 6P, MALE	MODEL A	
	VS1 - 0861 - 007		1	CONNECTOR, 7P, FEMALE	MODEL B	
J 6 0 3	PCB			LASER DRIVER		
	VS1 - 0978 - 002		1	CONNECTOR, 2P, MALE	MODEL A	
J 8 0 1	VS1 - 0861 - 002		1	CONNECTOR, 2P, FEMALE	MODEL B	
	PCB			SYSTEM POWER SUPPLY	GP215P/216FP 100V GP200E NJY/200F 120V	
	VS3 - 5083 - 005		1	CONNECTOR, 5P, FEMALE	GP215P/216FP 100V GP200E NJY/200F 120V	
J 8 0 2	PCB			SYSTEM POWER SUPPLY	GP215P/216FP 100V GP200E NJY/200F 120V	
	VS3 - 5083 - 008		1	CONNECTOR, 8P, FEMALE	GP215P/216FP 100V GP200E NJY/200F 120V	
J 9 0 1	WS3 - 5160 - 000		8	SOCKET CONTACT, 18-24AWG	GP215P/216FP 100V GP200E NJY/200F 120V	
	PCB			CONTROL PANEL CPU		
	NPN			LCD	LCD1	
J 9 0 2	PCB			CONTROL PANEL CPU		
	NPN			TOUCH PANEL	TP1	
J 9 0 3	PCB			CONTROL PANEL CPU		
	NPN			TOUCH PANEL	TP1	
J 9 0 5	PCB			CONTROL PANEL CPU		
	VS1 - 0842 - 014		1	CONNECTOR, 14P, FEMALE		
	VS1 - 0852 - 014		1	CONNECTOR, 14P, FEMALE		

FIGURE & KEY NO.	PART NUMBER	R A N K	Q' T Y	DESCRIPTION	SERIAL NUMBER / REMARKS
B - J 9 0 5	VS9 - 5009 - 028		1	HOLDER, CONNECTOR, 28P	
J 9 0 7	PCB			CONTROL PANEL CPU	
	VS1 - 0842 - 006		1	CONNECTOR, 6P, FEMALE	
J 9 0 8	PCB			CONTROL PANEL CPU	
	NPN			MEMBRANE SWITCH	
J 9 0 9	PCB			CONTROL PANEL CPU	
	NPN			MEMBRANE SWITCH	
J 9 1 5	PCB			CONTROL PANEL CPU	
	VS1 - 0978 - 003		1	CONNECTOR, 3P, MALE	
J 9 1 6	PCB			ONE-TOUCH KEY	
J 9 1 7	PCB			CONTROL PANEL RESISTOR	
	VS1 - 0978 - 003		1	CONNECTOR, 3P, MALE	
	VS1 - 0978 - 015		1	CONNECTOR, 15P, MALE	
J 9 1 8	PCB			CONTROL PANEL CPU	
	VS1 - 0842 - 015		1	CONNECTOR, 15P, FEMALE	
J 9 1 9	PCB			CONTROL PANEL CPU	
	VS1 - 0978 - 002		1	CONNECTOR, 2P, MALE	
J 9 2 0	PCB			CONTROL PANEL CPU	
	VS1 - 0842 - 002		1	CONNECTOR, 2P, FEMALE	
J 9 5 5	PCB			INVERTER	
J 9 5 8	PCB			INVERTER	LCD1
	NPN			LCD	
J 9 9 8	PCB			POWER LED	
	VS1 - 0842 - 003		1	CONNECTOR, 3P, FEMALE	
J 9 9 9	PCB			CONTROL PANEL VOLUME	
	VS1 - 0842 - 004		1	CONNECTOR, 4P, FEMALE	
J 1 0 0 1	PCB			CCD / ANALOG PROCESSOR	
	FH2 - 6400 - 000		1	CABLE, FLAT, 2	100/120V EXCEPT NJS
	FH2 - 6402 - 000		1	CABLE, FLAT, 2	120V NJS/220/240V

FIGURE & KEY NO.	PART NUMBER	RANK	QTY	DESCRIPTION	SERIAL NUMBER / REMARKS
B - J 1 0 0 2	PCB			CCD / ANALOG PROCESSOR	
	VS1 - 0842 - 003		1	CONNECTOR, 3P, FEMALE	
J 1 6 0 1	PCB			PAPER PICK-UP	
	VS1 - 0842 - 012		1	CONNECTOR, 12P, FEMALE	
	VS1 - 0852 - 012		1	CONNECTOR, 12P, FEMALE	
	VS9 - 5009 - 024		1	HOLDER, CONNECTOR, 24P	
J 1 6 0 2	PCB			PAPER PICK-UP	
	NPN			PAPER PICK-UP MOTOR	M4
J 1 6 0 3	PCB			PAPER PICK-UP	
	NPN			VERTICAL PATH CLUTCH	CL3
J 1 6 0 4	PCB			PAPER PICK-UP	
	NPN			PICK-UP ROLLER SOLENOID	SL2
J 1 7 4 0 - 1	PCB			UPPER CASSETTE SIZE	
	VS1 - 0978 - 006		1	CONNECTOR, 6P, FEMALE	
J 1 7 4 0 - 2	PCB			LOWER CASSETTE SIZE	
	VS1 - 0978 - 006		1	CONNECTOR, 6P, FEMALE	
J 1 7 5 1	PCB			NOISE FILTER	120V NJS/220/240V
	VS3 - 5121 - 003		1	CONNECTOR, 3P, FEMALE	120V NJS/220/240V
	WS3 - 5291 - 000		2	PIN CONTACT	120V NJS/220/240V
J 1 7 6 1	PCB			DRUM SENSOR	
	VS1 - 0978 - 003		1	CONNECTOR, 3P, MALE	
J 1 8 0 1	PCB			INTENSITY SENSOR	
	VS1 - 0279 - 004		1	CONNECTOR, 4P, FEMALE	
	WS3 - 0437 - 000		4	SOCKET CONTACT, 20-30AWG	
J 1 9 0 1	PCB			FIXING HEATER DRIVER	
	VS1 - 0842 - 003		1	CONNECTOR, 3P, FEMALE	
J 1 9 5 1	PCB			NOISE FILTER	100V
	NPN			POWER CORD	100V
J 1 9 7 1	PCB			NOISE FILTER	120V EXCEPT NJS
	NPN			POWER CORD	120V EXCEPT NJS

FIGURE & KEY NO.	PART NUMBER	RANK	QTY	DESCRIPTION	SERIAL NUMBER / REMARKS
B - J 2 1 0 0	PCB			PRE-CONDITIONING LAMP	
	VS1 - 0978 - 002		1	CONNECTOR, 2P, MALE	
J 5 0 1 1	PCB			FAX MOTHER BOARD	GP215F/215P/210F GP216F/216FP/211F GP200/200D/200E/200F
	PCB			CORE IMAGE PROCESSOR	GP215F/215P/210F GP216F/216FP/211F
J 5 0 4 1	PCB			BEAM DETECTOR	GP200/200D/200E/200F
	VS1 - 0842 - 004		1	CONNECTOR, 4P, FEMALE	
J 9 9 9 8	VS1 - 0842 - 004		1	CONNECTOR, 4P, FEMALE	
	VS1 - 5057 - 004		1	CONNECTOR, SNAP TIGHT	
J 9 9 9 9	VS1 - 5824 - 004		1	CONNECTOR, 4P, FEMALE	
	WS3 - 5358 - 000		4	SOCKET CONTACT, 22-26AWG	
	VS1 - 0842 - 003		1	CONNECTOR, 3P, FEMALE	
	VS1 - 5057 - 003		1	CONNECTOR, SNAP TIGHT	
	VS1 - 5824 - 003		1	CONNECTOR, 3P, FEMALE	
J SB FAN	WS3 - 5358 - 000		3	SOCKET CONTACT, 22-26AWG	
	VS1 - 0842 - 002		2	CONNECTOR, 2P, FEMALE	120/220/240V
	VS1 - 5057 - 002		1	CONNECTOR, SNAP TIGHT	120/220/240V

Image Editing Unit-C1

Image Editing Unit-C1
〔 F24-5301 〕

CONTENTS

- CA. ASSEMBLY LOCATION DIAGRAM

- C10. IMAGE EDITING UNIT BODY

- C93. DC CONTROLLER PCB ASSEMBLY
- C96. CONVERTER PCB ASSEMBLY

- D2. NUMERICAL INDEX

FIGURE CA ASSEMBLY LOCATION DIAGRAM

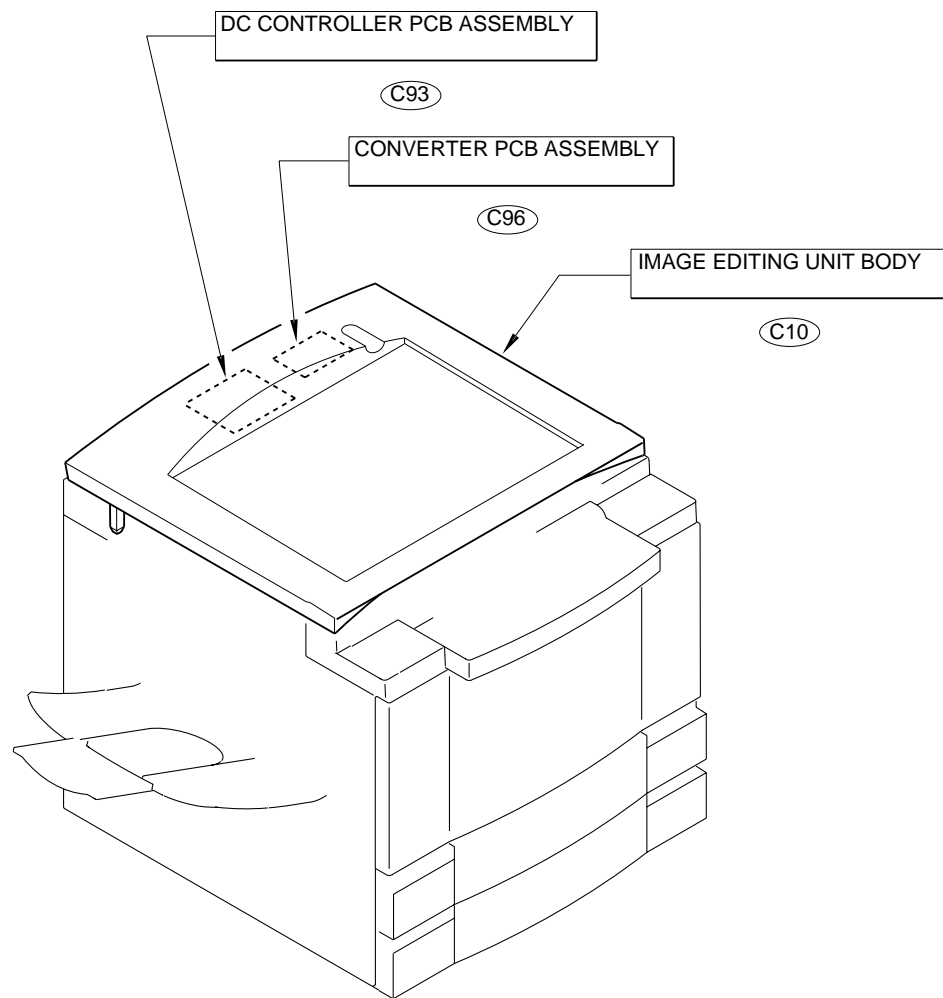


FIGURE C10 IMAGE EDITING UNIT BODY

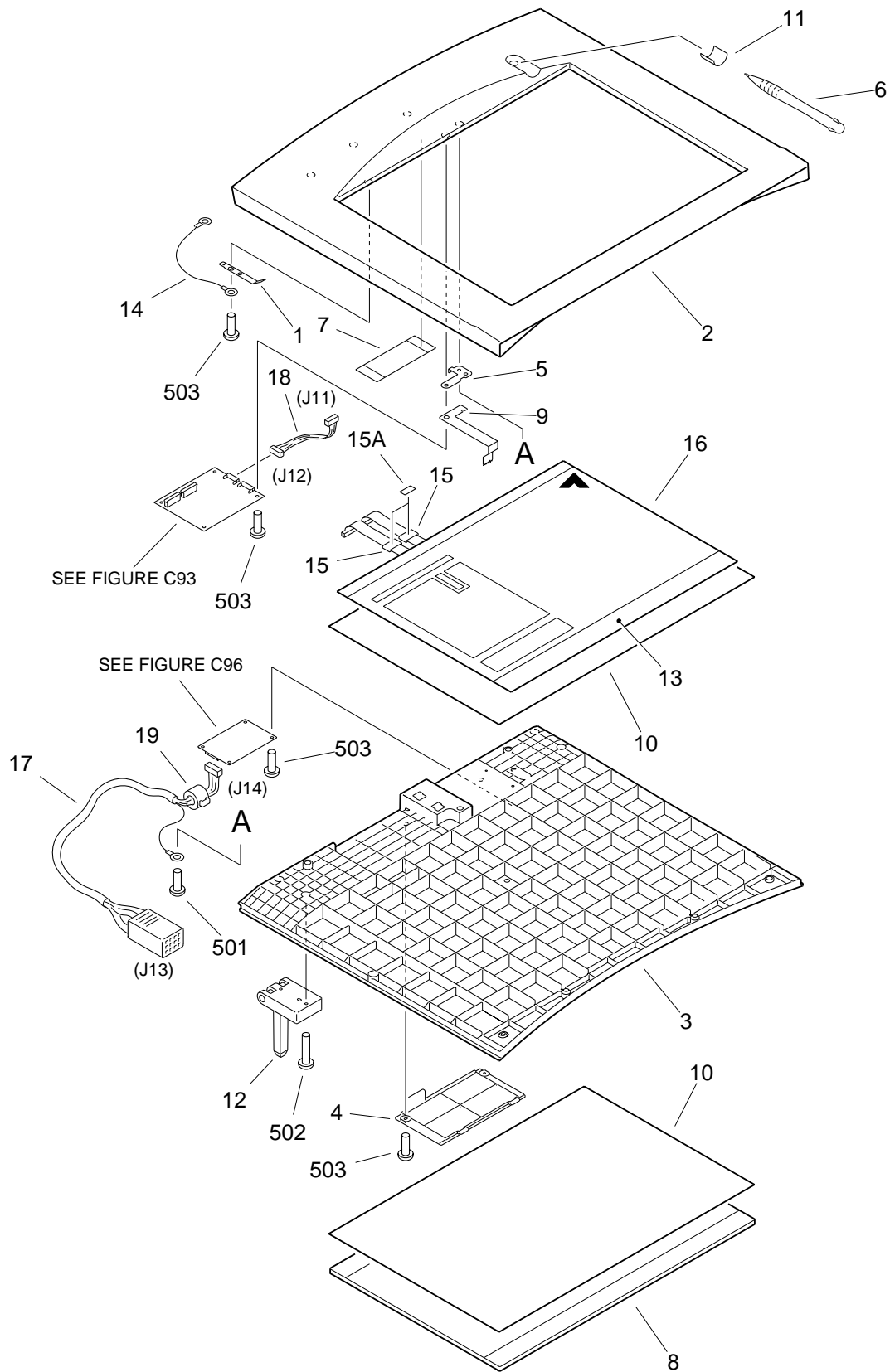


FIGURE & KEY NO.	PART NUMBER	R A N K	Q' T Y	DESCRIPTION	SERIAL NUMBER / REMARKS
C10 -	NPN		RF	IMAGE EDITING UNIT BODY	
1	FA3 - 9821 - 000		1	SPRING, LEAF	
2	FB3 - 8668 - 000		1	COVER, UPPER	
3	FB3 - 8669 - 000		1	COVER, LOWER	
4	FB3 - 8670 - 000		1	COVER, SMALL	
5	FB3 - 8671 - 000		1	SPRING, LEAF	
6	FB3 - 8673 - 000		1	PEN, EDITOR	
7	FB3 - 8674 - 000		1	SHEET, CORE	
8	FB3 - 8675 - 000		1	SHEET, WHITE	
9	FB3 - 8677 - 000		1	SPRING, LEAF	
10	FB3 - 9840 - 000		2	PLATE, NOISE STOP	
11	FB3 - 9841 - 000		1	PAD, PEN HOLD	
12	FB3 - 9842 - 000		2	HINGE, COPYBOARD COVER	
13	FC1 - 6214 - 000		1	SHEET, OPERATION	
14	FF2 - 6351 - 000		1	CABLE, GROUNDING	
15	FF5 - 5953 - 000		2	CORE, FERRITE	
15 A	FB3 - 8676 - 000		1	TAPE, DOUBLE-SIDE	
16	FG2 - 3821 - 000		1	TABLET UNIT	
17	FG2 - 8543 - 000		1	CABLE, INTERFACE	J13,14
18	FG2 - 8545 - 000		1	CABLE, CONNECTING	J11,12
19	WE8 - 5496 - 000		1	CORE, FERRITE	
501	XB1 - 2400 - 607		1	SCREW,MACH.,TRUSS HEAD,M4X6	
502	XB1 - 2402 - 007		4	SCREW,MACH.,TRUSS HEAD,M4X20	
503	XB4 - 7301 - 207		17	SCREW,TAPPING,TRUSS HEAD,M3X12	

FIGURE C93 DC CONTROLLER PCB ASSEMBLY

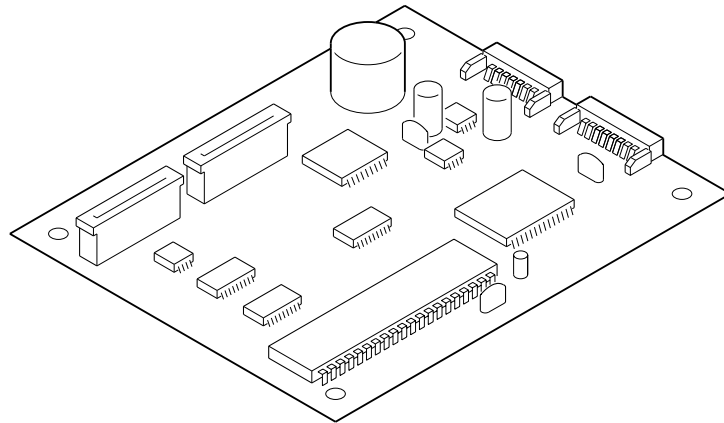


FIGURE & KEY NO.	PART NUMBER	RANK	QTY	DESCRIPTION	SERIAL NUMBER / REMARKS
C93 -	FG2 - 3365 - 000		1	DC CONTROLLER PCB ASSEMBLY	
BZ	WR1 - 0098 - 000		1	BUZZER, HMB-06	
IC8	FH4 - 1195 - 000		1	IC, UPD78C11AGF-E45-3BE, MPU	

FIGURE C96 CONVERTER PCB ASSEMBLY

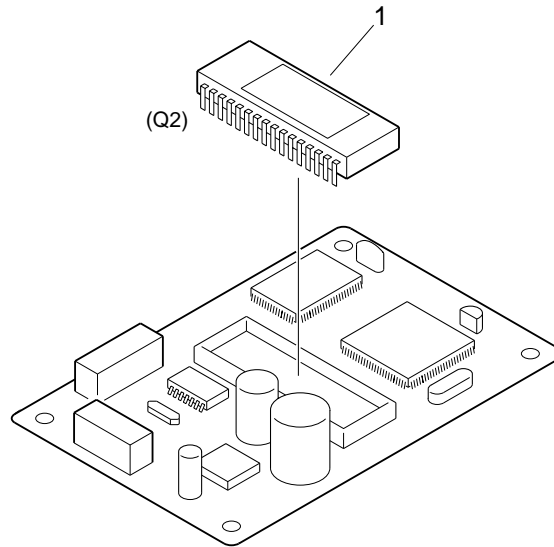


FIGURE & KEY NO.	PART NUMBER	RANK	QTY	DESCRIPTION	SERIAL NUMBER / REMARKS
C96 -	FG2 - 8544 - 000		1	CONVERTER PCB ASSEMBLY	
1	FF3 - 2048 - 000		1	IC, M27C256B-15F1, EP-ROM	Q2
FU1	VD7 - 0333 - 150		1	FUSE	
Q3	FH4 - 5560 - 000		1	IC, M38881M2-010GP, MCU	

GP Expansion Board Base Unit-B1

GP Expansion Board Base Unit-B1	
100/120V	F61-6514
220/240V	F61-6554

CONTENTS

- FA. ASSEMBLY LOCATION DIAGRAM

- F10. EXPANSION BOARD KIT ASSEMBLY
- F11. SYSTEM POWER SUPPLY ASSEMBLY

- F91. PROTOCOL CONTROL PCB ASSEMBLY
- F92. CIST PCB ASSEMBLY

- D3. NUMERICAL INDEX

FIGURE FA ASSEMBLY LOCATION DIAGRAM

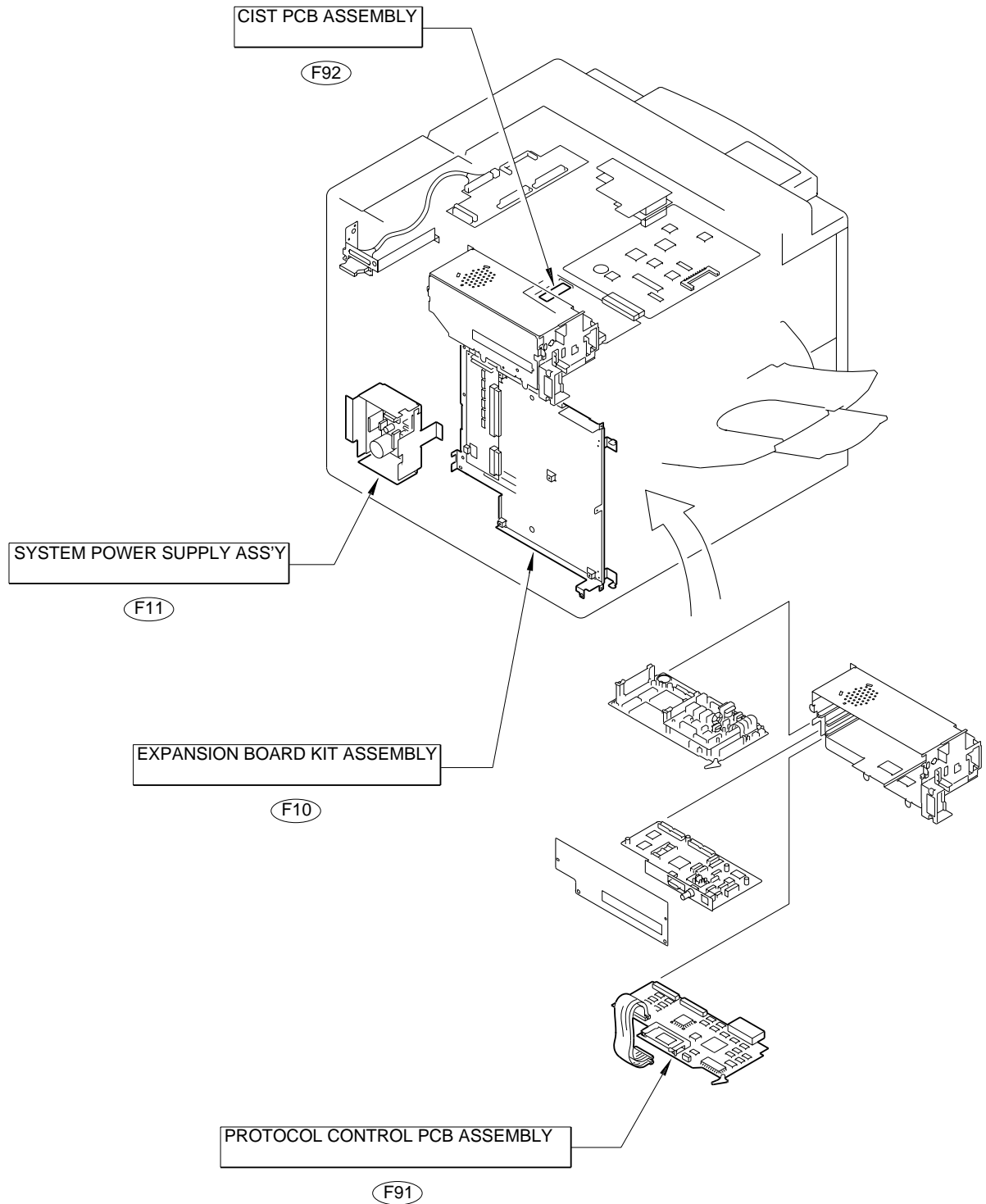


FIGURE F10 EXPANSION BOARD KIT ASSEMBLY

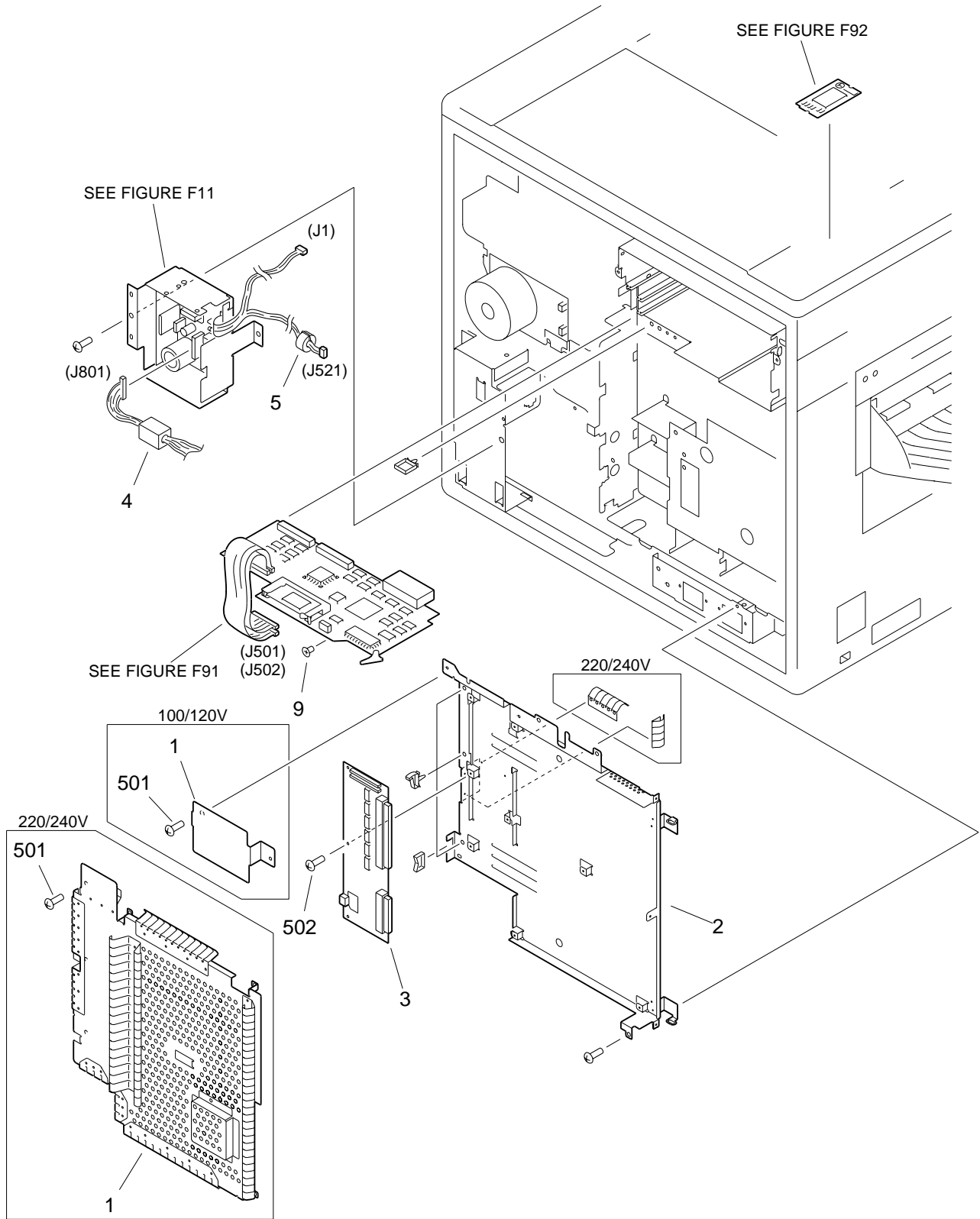


FIGURE & KEY NO.	PART NUMBER	R A N K	Q' T Y	DESCRIPTION	SERIAL NUMBER / REMARKS
F10 -	NPN		RF	EXPANSION BOARD KIT ASSEMBLY	
1	FB3 - 2370 - 000		1	PLATE, SHIELD	100/120V
	FF5 - 4619 - 000		1	PLATE, SHIELD	220/240V
2	FB3 - 3182 - 000		1	MOUNT, PCB	100/120V
	FF5 - 4627 - 000		1	MOUNT, PCB	220/240V
3	FG5 - 6305 - 000		1	SYSTEM MOTHER BOARD PCB ASS'Y	
4	WE8 - 5118 - 000		1	CLAMP, SLEEVE FERRITE	220/240V
5	WE8 - 5183 - 000		1	CORE, FERRITE	220/240V
6	WT2 - 0317 - 010		1	CLIP, CABLE	
7	WT2 - 5011 - 000		1	CLIP, CABLE	
8	WT2 - 5134 - 000		3	CLAMP, CABLE	
9	XA9 - 0679 - 000		1	SCREW, MACH., FLAT HEAD, M3X4	
501	XB2 - 7400 - 607		9	SCREW, W/WASHER, M4X6	
502	XB6 - 7300 - 607		4	SCREW, TP, M3X6	

FIGURE F11 SYSTEM POWER SUPPLY ASSEMBLY

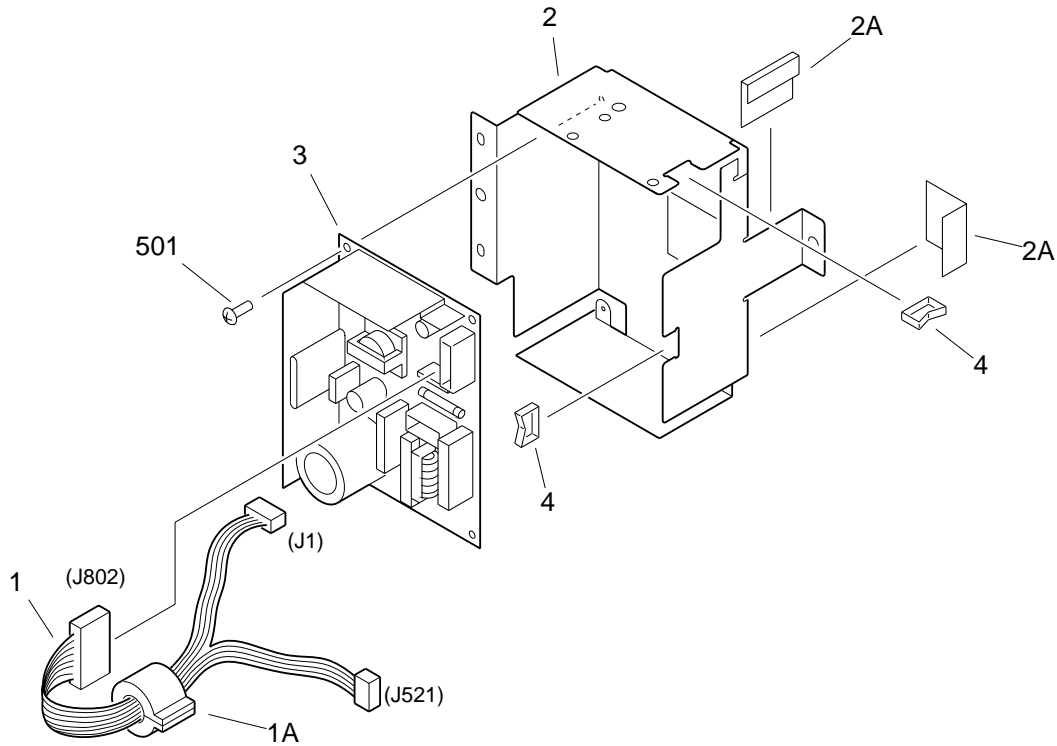


FIGURE & KEY NO.	PART NUMBER	RANK	QTY	DESCRIPTION	SERIAL NUMBER / REMARKS
F11 -	FG5 - 6203 - 000		1	SYSTEM POWER SUPPLY ASSEMBLY	100/120V
	FG5 - 6323 - 000		1	SYSTEM POWER SUPPLY ASSEMBLY	220/240V
1	FF3 - 1580 - 000		1	CABLE, CONNECTING	J1,521,802
1 A	WE8 - 5452 - 000		1	CORE	
2	FF5 - 4595 - 000		1	MOUNT, POWER SWITCH	
2 A	FB3 - 2366 - 000		2	SHEET, PROTECTIVE	
3	FH3 - 2459 - 000		1	SWITCH REGULATOR PCB UNIT	100/120V
	FH3 - 2460 - 000		1	SWITCH REGULATOR PCB UNIT	220/240V
4	WT2 - 5011 - 000		2	CLIP, CABLE	
501	XB1 - 2300 - 607		4	SCREW,MACH.,TRUSS HEAD,M3X6	

FIGURE F91 PROTOCOL CONTROL PCB ASSEMBLY

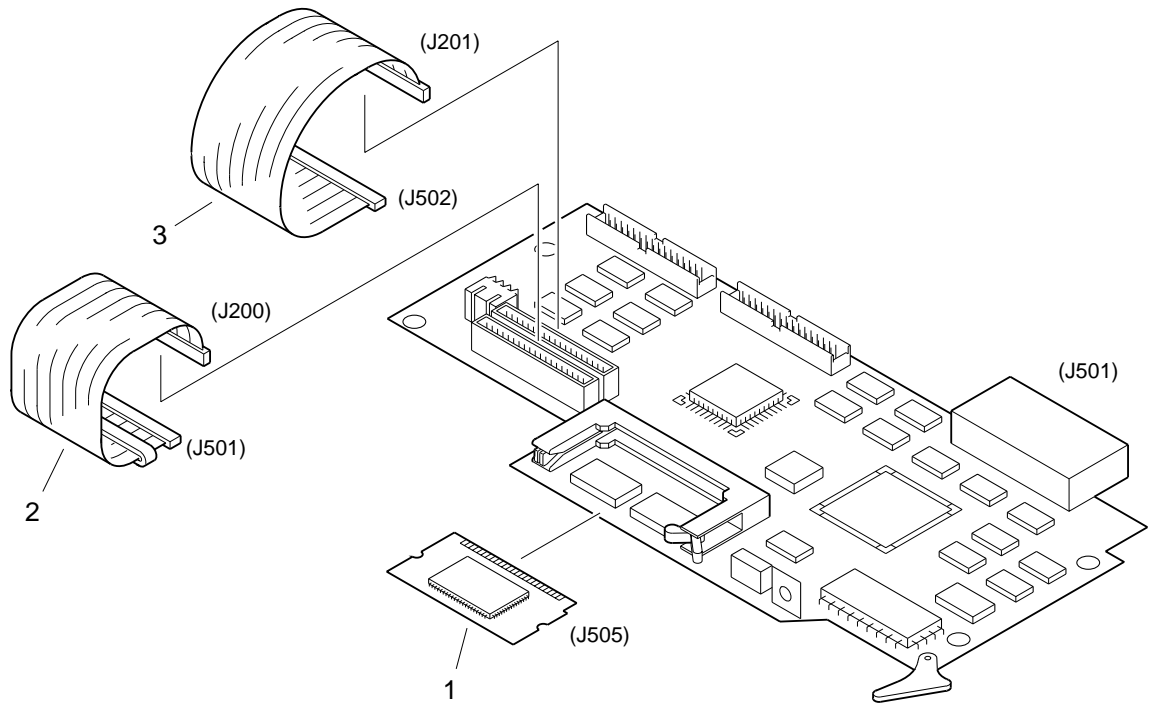


FIGURE & KEY NO.	PART NUMBER	RANK	QTY	DESCRIPTION	SERIAL NUMBER / REMARKS
F91 -	FG5 - 8288 - 050		1	PROTOCOL CONTROL PCB ASSEMBLY	100/120V
	FG5 - 9157 - 000		1	PROTOCOL CONTROL PCB ASSEMBLY	220/240V
1	FG5 - 7502 - 070		1	FRASH MEMORY PCB ASSEMBLY	J505
2	FH2 - 6355 - 000		1	CABLE, CONNECTING, 1	100/120V J200,501
	FH2 - 6403 - 000		1	CABLE, CONNECTING, 1	220/240V J200,501
3	FH2 - 6356 - 000		1	CABLE, CONNECTING, 2	100/120V J201,502
	FH2 - 6404 - 000		1	CABLE, CONNECTING, 2	220/240V J201,502
I C5 14	FH4 - 5816 - 000		1	IC, HG62G027S07, GATE ARRAY	
LED0	WG1 - 0157 - 000		1	LED, SEL2110RTGN	
LED1	WG1 - 0157 - 000		1	LED, SEL2110RTGN	
LED2	WG1 - 0157 - 000		1	LED, SEL2110RTGN	
LED3	WG1 - 0157 - 000		1	LED, SEL2110RTGN	
T1	FH3 - 0778 - 000		1	COIL, CHOKE	
X1	FH6 - 3449 - 000		1	OSCILLATOR, CRYSTAL	

FIGURE F92 CIST PCB ASSEMBLY

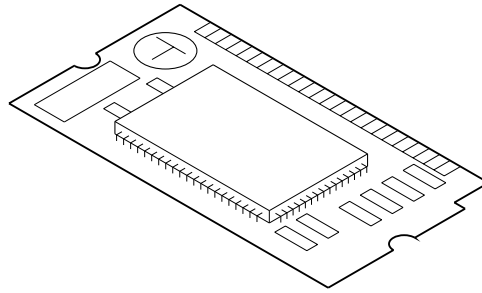


FIGURE & KEY NO.	PART NUMBER	RANK	QTY	DESCRIPTION	SERIAL NUMBER / REMARKS
F92 -	FG5 - 7496 - 000		1	CIST PCB ASSEMBLY	
I C601	FH4 - 5820 - 000		1	IC, JSC03RM517CE37, GATE ARRAY	

GP Expansion Board Base Unit-A1

GP Expansion Board Base Unit-A1	
100/120V	F61-6504
220/240V	F61-6506

CONTENTS

- FA.** ASSEMBLY LOCATION DIAGRAM
- F12.** EXPANSION BOARD ASSEMBLY
- D4.** NUMERICAL INDEX

FIGURE FA ASSEMBLY LOCATION DIAGRAM

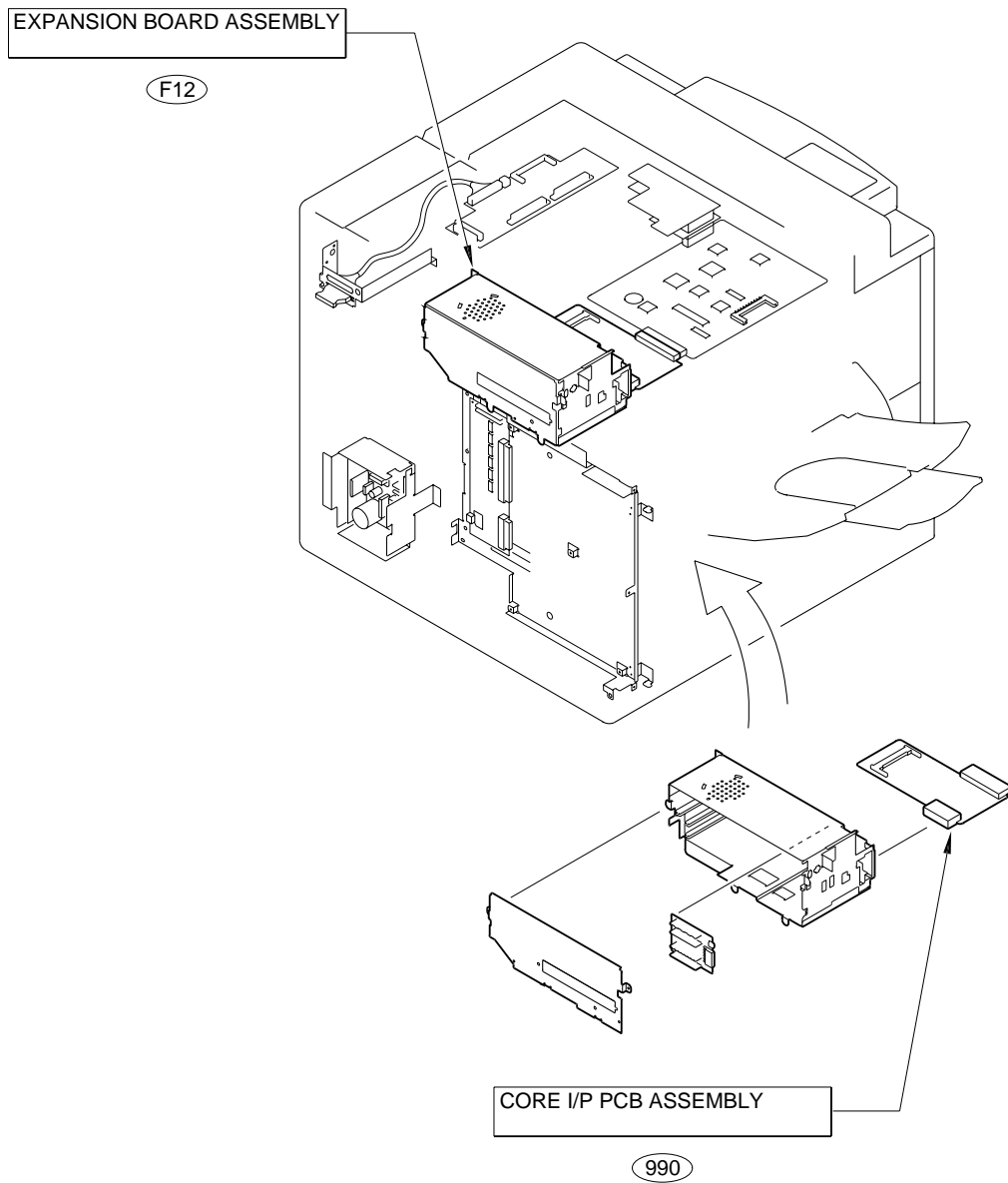
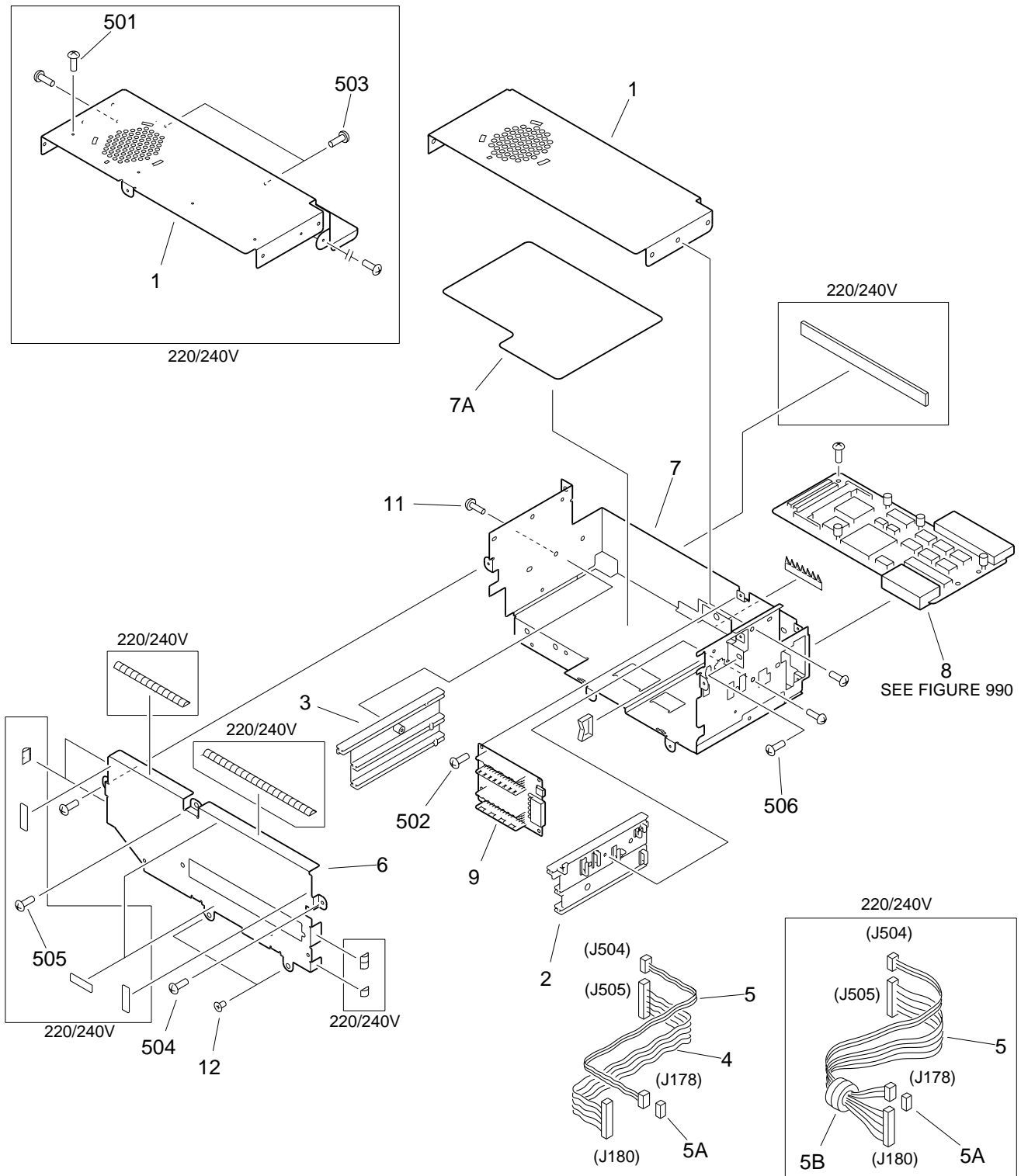


FIGURE F12 EXPANSION BOARD ASSEMBLY



NOTE: This assembly does not include the parts shown with key No. 6, 8, 12, 501, 504, 505 and 506.

FIGURE & KEY NO.	PART NUMBER	RANK	QTY	DESCRIPTION	SERIAL NUMBER / REMARKS
F12 - 1	FG5 - 8707 - 000		1	EXPANSION BOARD ASSEMBLY	100/120V
	FG5 - 9041 - 000		1	EXPANSION BOARD ASSEMBLY	220/240V
	FB3 - 3171 - 000		1	COVER, CASE, UPPER	100/120V
	FB3 - 9445 - 000		1	COVER, CASE, UPPER	220/240V
	2	FB3 - 3173 - 000		1	RAIL, 1
3	FB3 - 3174 - 000		1	RAIL, 2	
4	FF3 - 1444 - 000		1	CABLE, PCB CONNECTING, 1	100/120V J180,505
5	FF3 - 1445 - 000		1	CABLE, PCB CONNECTING, 2	100/120V J178,504
	FF3 - 1324 - 000		1	CABLE, PCB CONNECTING, 2	220/240V J178,180,504,505
5 A	VS1 - 5057 - 003		1	CONNECTOR, SNAP TIGHT	J178
5 B	WE8 - 5113 - 000		1	CORE	220/240V
6	FF5 - 4601 - 000		1	COVER, CASE, FRONT	SEE NOTE 100/120V
	FF5 - 4614 - 000		1	COVER, CASE, FRONT	SEE NOTE 220/240V
7	FF5 - 4602 - 000		1	CASE, PRINT CIRCUIT BOARD	100/120V
	FF5 - 4626 - 000		1	CASE, PRINT CIRCUIT BOARD	220/240V
7 A	FB3 - 3191 - 000		1	SHEET, INSULATION	
8	FG2 - 9714 - 001		1	CORE IMAGE PROCESSOR PCB ASS'Y	SEE NOTE 100/120V SEE FIGURE 990
	FG2 - 9715 - 001		1	CORE IMAGE PROCESSOR PCB ASS'Y	SEE NOTE 220/240V SEE FIGURE 990
9	FG5 - 6303 - 030		1	FAX MOTHER BOARD PCB ASSEMBLY	100/120V
	FG5 - 8924 - 000		1	FAX MOTHER BOARD PCB ASSEMBLY	220/240V
10	WT2 - 5011 - 000		1	CLIP, CABLE	
11	XA9 - 0591 - 000		2	SCREW,M3X8	
12	XA9 - 0679 - 000		2	SCREW,MACH.,FLAT HEAD,M3X4	SEE NOTE
5 0 1	XB1 - 2300 - 407		4	SCREW,MACH.,TRUSS HEAD,M3X4	SEE NOTE 220/240V
5 0 2	XB1 - 2300 - 607		6	SCREW,MACH.,TRUSS HEAD,M3X6	
5 0 3	XB1 - 2300 - 607		4	SCREW,MACH.,TRUSS HEAD,M3X6	220/240V
5 0 4	XB2 - 7300 - 607		2	SCREW,W/WASHER,M3X6	SEE NOTE
5 0 5	XB2 - 7300 - 607		1	SCREW,W/WASHER,M3X6	SEE NOTE 220/240V

FIGURE & KEY NO.	PART NUMBER	R A N K	Q' T Y	DESCRIPTION	SERIAL NUMBER / REMARKS
F12 - 506	XB2 - 7400 - 607		5	SCREW,W/WASHER,M4X6	SEE NOTE

Multi-PDL Printer Board-B1 USA

Printer Board-P3 USA

Multi-PDL Printer Board-B1 USA
〔 120V F61-6574 〕

Printer Board-P3 USA
〔 120V F61-6594 〕

CONTENTS

- FA. ASSEMBLY LOCATION DIAGRAM
- F13. EXPANSION BOARD KIT ASSEMBLY
- F94. MULTI PDL PRINTER BOARD-B1 PCB ASSEMBLY
(120V USA)
- F95. PRINTER BOARD-P3 PCB ASSEMBLY (120V USA)
- D5. NUMERICAL INDEX

FIGURE FA ASSEMBLY LOCATION DIAGRAM

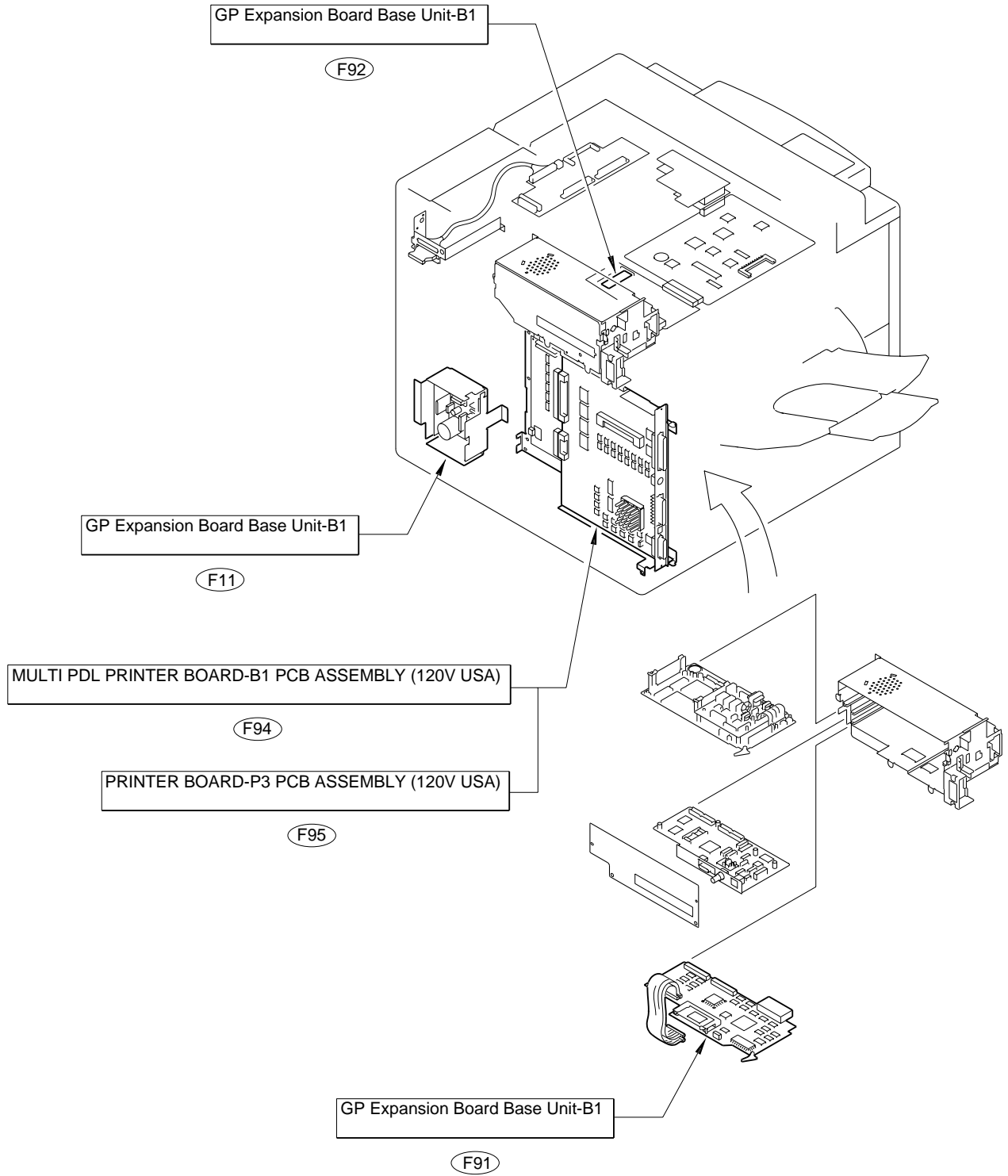


FIGURE F13 EXPANSION BOARD KIT ASSEMBLY

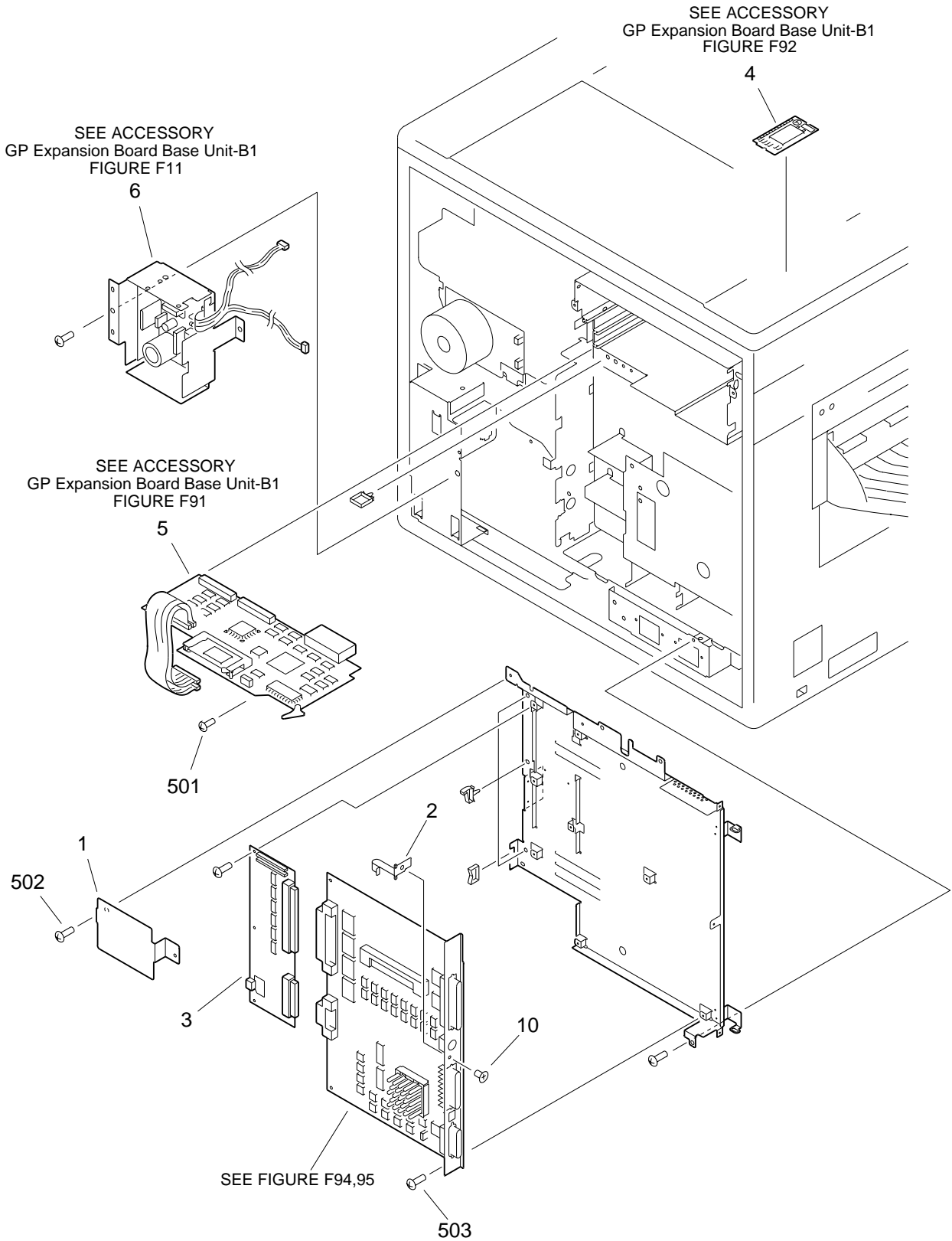


FIGURE & KEY NO.	PART NUMBER	RANK	QTY	DESCRIPTION	SERIAL NUMBER / REMARKS
F13 -	NPN		RF	EXPANSION BOARD KIT ASSEMBLY	
1	FB3 - 2370 - 000		1	PLATE, SHIELD	
2	FB3 - 2379 - 000		1	PLATE, GROUNDING	
3	FG5 - 6305 - 000		1	SYSTEM MOTHER BOARD PCB ASS'Y	
4	FG5 - 7496 - 000		1	CIST PCB ASSEMBLY	SEE FIGURE F92
5	FG5 - 8288 - 050		1	PROTOCOL CONTROL PCB ASSEMBLY	SEE FIGURE F91
6	FG6 - 3635 - 000		1	SYSTEM POWER SUPPLY ASSEMBLY	SEE FIGURE F11
7	WT2 - 0317 - 010		1	CLIP, CABLE	
8	WT2 - 5011 - 000		1	CLIP, CABLE	
9	WT2 - 5134 - 000		3	CLAMP, CABLE	
10	XA9 - 0679 - 000		1	SCREW, MACH., FLAT HEAD, M3X4	
501	XB2 - 7300 - 607		3	SCREW, W/WASHER, M3X6	
502	XB2 - 7400 - 607		9	SCREW, W/WASHER, M4X6	
503	XB6 - 7300 - 607		9	SCREW, TP, M3X6	

MULTI PDL PRINTER BOARD-B1 PCB ASSEMBLY (120V USA)

FIGURE F94

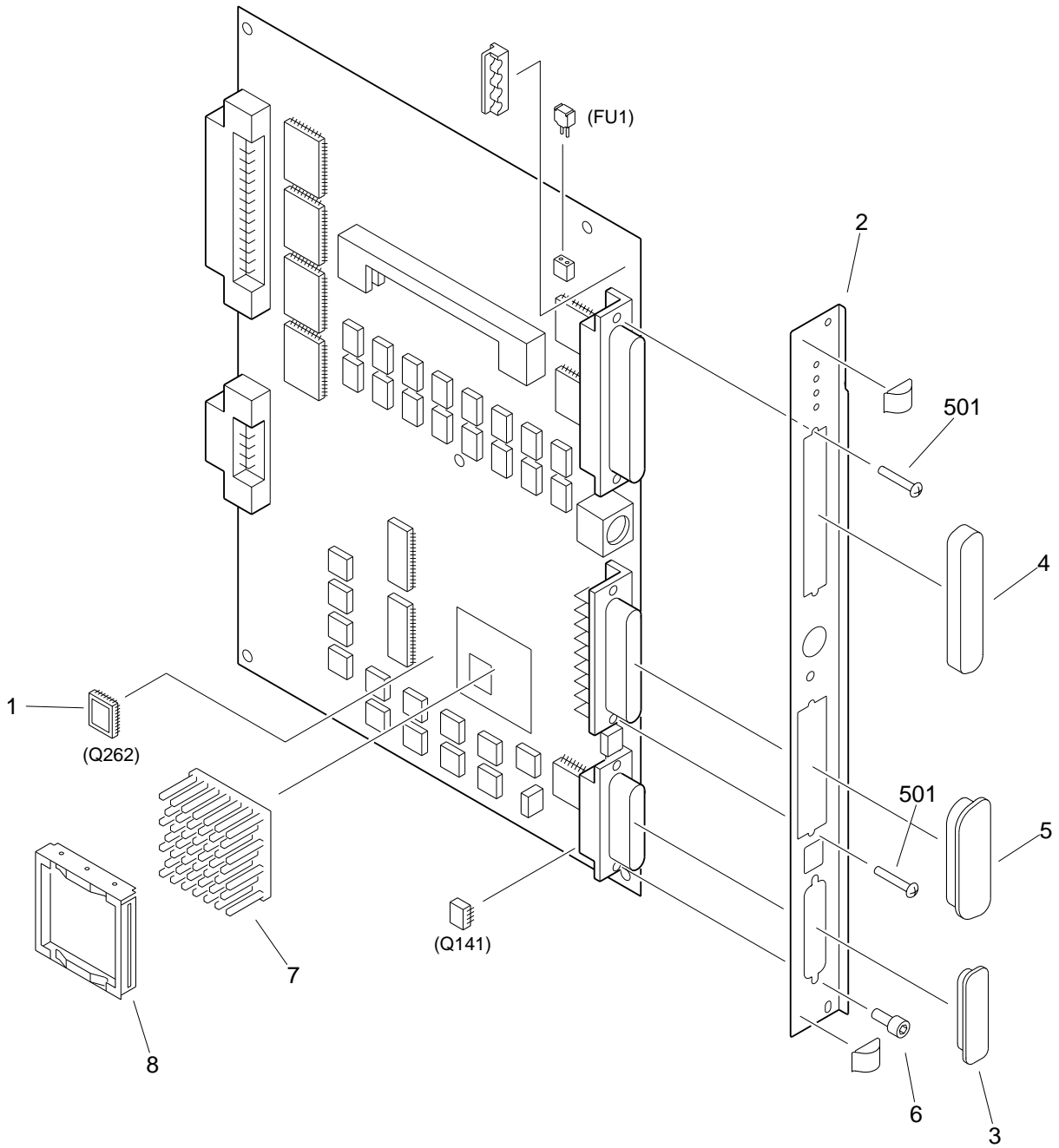


FIGURE & KEY NO.	PART NUMBER	RANK	QTY	DESCRIPTION	SERIAL NUMBER / REMARKS
F94 -	FG5 - 8698 - 030		1	MULTI PDL BOARD-B1 PCB ASS'Y	120V USA
1	FF3 - 0520 - 000		1	IC, TMS27PC010A-15FML, EP-ROM	Q262
2	FF5 - 4598 - 000		1	PLATE, BLANKING	
3	RA9 - 0637 - 000		1	CAP, DUST	
4	VS9 - 0033 - 050		1	CAP, DUST	
5	WS9 - 0104 - 000		1	CAP, DUST	
6	WS9 - 0239 - 000		2	NUT,HEX,M3X7.8 (INCH)	
7	WT2 - 5487 - 000		1	HEATSINK	
8	WT2 - 5488 - 000		1	HOLDER, HEATSINK	
501	XB1 - 1301 - 007		4	SCREW,MACH.,PAN HEAD,M3X10	
FU1	VD5 - 0222 - 001		1	FUSE, LM20	
	WD9 - 0044 - 000		1	HOLDER, FUSE	
LED1	WG1 - 5251 - 000		1	LED, MPY4361F	
LED3	WG1 - 5251 - 000		1	LED, MPY4361F	
LED4	WG1 - 5251 - 000		1	LED, MPY4361F	
LED5	WG1 - 5251 - 000		1	LED, MPY4361F	
LED6	WG1 - 5229 - 000		1	LED, MVR4361F	
Q 68	FH4 - 5871 - 000		1	IC, PALCE16V8H-10JC/4, C-MOS	
Q110	FH4 - 5753 - 000		1	IC, PALCE20V8H-7JC/5, C-MOS	
Q111	FH4 - 5754 - 000		1	IC, PALCE20V8H-7JC/5, C-MOS	
Q112	FH4 - 5875 - 000		1	IC, PALCE20V8H-5JC/5, C-MOS	
Q113	FH4 - 5756 - 000		1	IC, PALCE20V8H-7JC/5, C-MOS	
Q130	FH4 - 5873 - 000		1	IC, PALCE20V8H-5JC/5, C-MOS	
Q131	FH4 - 5758 - 000		1	IC, PALCE16V8H-10JC/4, C-MOS	
Q132	FH4 - 5872 - 000		1	IC, PALCE20V8H-10JC/4, C-MOS	
Q138	FH4 - 5760 - 000		1	IC, PALCE20V8H-10JC/4, C-MOS	
Q141	WA3 - 6695 - 000		1	IC, NM93056N, EP-ROM	
Q164	FH4 - 5761 - 000		1	IC, PALCE20V8H-7JC/5, C-MOS	
Q165	FH4 - 5762 - 000		1	IC, PALCE16V8H-10JC/4, C-MOS	
Q174	FH4 - 5763 - 000		1	IC, PALCE16V8H-10JC/4, C-MOS	

FIGURE & KEY NO.	PART NUMBER	R A N K	Q' T Y	DESCRIPTION	SERIAL NUMBER / REMARKS
F94 - Q2 0 8	FH4 - 5764 - 000		1	IC, PALCE16V8H-10JC/4, C-MOS	
Q2 0 9	FH4 - 5765 - 000		1	IC, PALCE16V8H-10JC/4, C-MOS	
Q2 2 2	FH4 - 5766 - 000		1	IC, PALCE16V8H-10JC/4, C-MOS	
Q2 2 3	FH4 - 5767 - 000		1	IC, PALCE16V8H-10JC/4, C-MOS	
Q2 4 0	FH4 - 1310 - 000		1	IC, SC87C51CGA44, M-CON	
Q2 6 0	FH4 - 3684 - 000		1	IC, TC5316210CF-E311, MASK-ROM	
Q2 6 1	FH4 - 3685 - 000		1	IC, TC5316210CF-E312, MASK-ROM	

FIGURE F95 PRINTER BOARD-P3 PCB ASSEMBLY (120V USA)

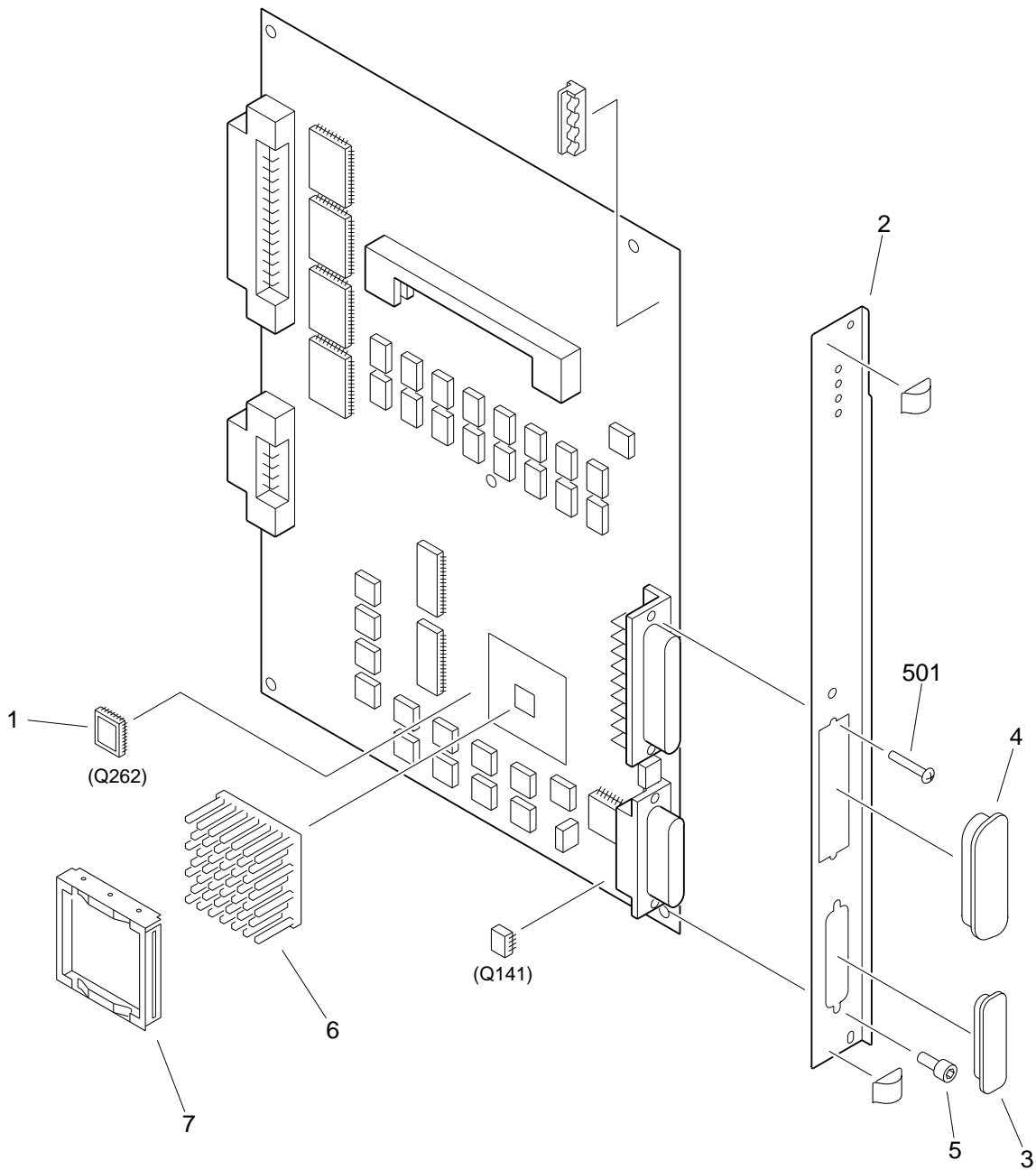


FIGURE & KEY NO.	PART NUMBER	R A N K	Q' T Y	DESCRIPTION	SERIAL NUMBER / REMARKS
F95 -	FG5 - 8699 - 000		1	PRINTER BOARD-P3 PCB ASSEMBLY	120V USA
1	FF3 - 0520 - 000		1	IC, TMS27PC010A-15FML, EP-ROM	Q262
2	FF5 - 4599 - 000		1	PLATE, BLANKING	
3	RA9 - 0637 - 000		1	CAP, DUST	
4	WS9 - 0104 - 000		1	CAP, DUST	
5	WS9 - 0239 - 000		2	NUT,HEX,M3X7.8 (INCH)	
6	WT2 - 5487 - 000		1	HEATSINK	
7	WT2 - 5488 - 000		1	HOLDER, HEATSINK	
5 0 1	XB1 - 1301 - 007		2	SCREW,MACH.,PAN HEAD,M3X10	
LED1	WG1 - 5251 - 000		1	LED, MPY4361F	
LED3	WG1 - 5251 - 000		1	LED, MPY4361F	
LED4	WG1 - 5251 - 000		1	LED, MPY4361F	
LED5	WG1 - 5251 - 000		1	LED, MPY4361F	
LED6	WG1 - 5229 - 000		1	LED, MVR4361F	
Q 6 8	FH4 - 5871 - 000		1	IC, PALCE16V8H-10JC/4, C-MOS	
Q1 1 0	FH4 - 5753 - 000		1	IC, PALCE20V8H-7JC/5, C-MOS	
Q1 1 1	FH4 - 5754 - 000		1	IC, PALCE20V8H-7JC/5, C-MOS	
Q1 1 2	FH4 - 5875 - 000		1	IC, PALCE20V8H-5JC/5, C-MOS	
Q1 1 3	FH4 - 5756 - 000		1	IC, PALCE20V8H-7JC/5, C-MOS	
Q1 3 0	FH4 - 5873 - 000		1	IC, PALCE20V8H-5JC/5, C-MOS	
Q1 3 1	FH4 - 5758 - 000		1	IC, PALCE16V8H-10JC/4, C-MOS	
Q1 3 2	FH4 - 5872 - 000		1	IC, PALCE20V8H-10JC/4, C-MOS	
Q1 3 8	FH4 - 5760 - 000		1	IC, PALCE20V8H-10JC/4, C-MOS	
Q1 4 1	WA3 - 6695 - 000		1	IC, NM93056N, EP-ROM	
Q1 6 4	FH4 - 5761 - 000		1	IC, PALCE20V8H-7JC/5, C-MOS	
Q1 6 5	FH4 - 5762 - 000		1	IC, PALCE16V8H-10JC/4, C-MOS	
Q1 7 4	FH4 - 5763 - 000		1	IC, PALCE16V8H-10JC/4, C-MOS	
Q2 0 8	FH4 - 5764 - 000		1	IC, PALCE16V8H-10JC/4, C-MOS	
Q2 0 9	FH4 - 5765 - 000		1	IC, PALCE16V8H-10JC/4, C-MOS	
Q2 2 2	FH4 - 5766 - 000		1	IC, PALCE16V8H-10JC/4, C-MOS	

FIGURE & KEY NO.	PART NUMBER	R A N K	Q' T Y	DESCRIPTION	SERIAL NUMBER / REMARKS
F95 - Q2 2 3	FH4 - 5767 - 000		1	IC, PALCE16V8H-10JC/4, C-MOS	
Q2 6 0	FH4 - 3684 - 000		1	IC, TC5316210CF-E311, MASK-ROM	
Q2 6 1	FH4 - 3685 - 000		1	IC, TC5316210CF-E312, MASK-ROM	

GP Expansion Board Base Unit-B2

[100V F61-6508]

Network Multi-PDL Printer Board-D1

[120/220/240V F61-6518]

Network Printer Board-E1

[120/220/240V F61-6528]

CONTENTS

- FA. ASSEMBLY LOCATION DIAGRAM**

- F14. EXPANSION BOARD KIT ASSEMBLY**

- F93. EXPANSION BOARD PCB ASSEMBLY**
- F96. PS NETWORK PRINTER BOARD-C1 (100V)**
- F97. NETWORK MULTI-PDL PRINTER BOARD-D1
(120/220/240V)**
- F98. NETWORK PRINTER BOARD-E1
(120/220/240V)**

- D6. NUMERICAL INDEX**

FIGURE FA ASSEMBLY LOCATION DIAGRAM

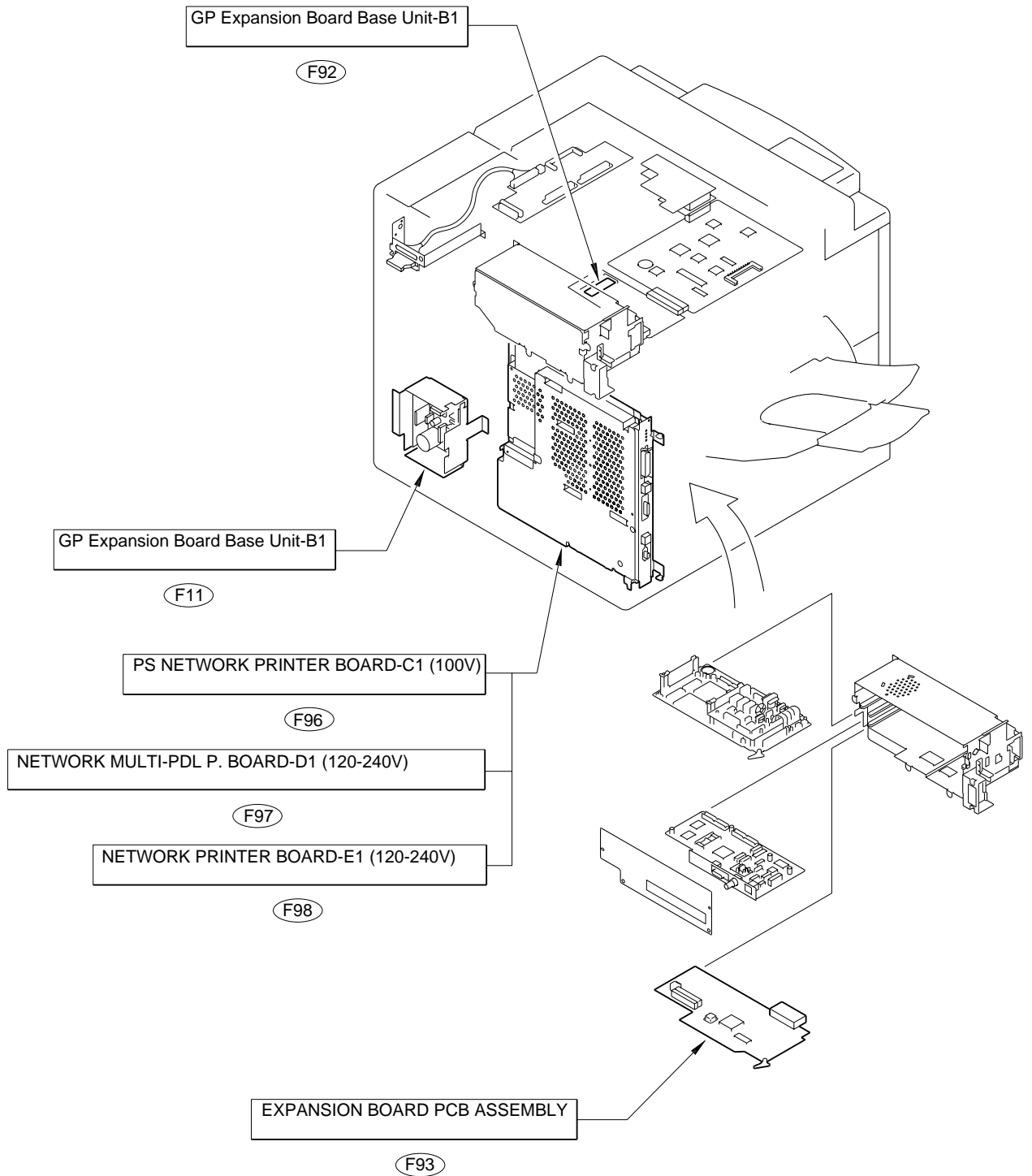


FIGURE F14 EXPANSION BOARD KIT ASSEMBLY

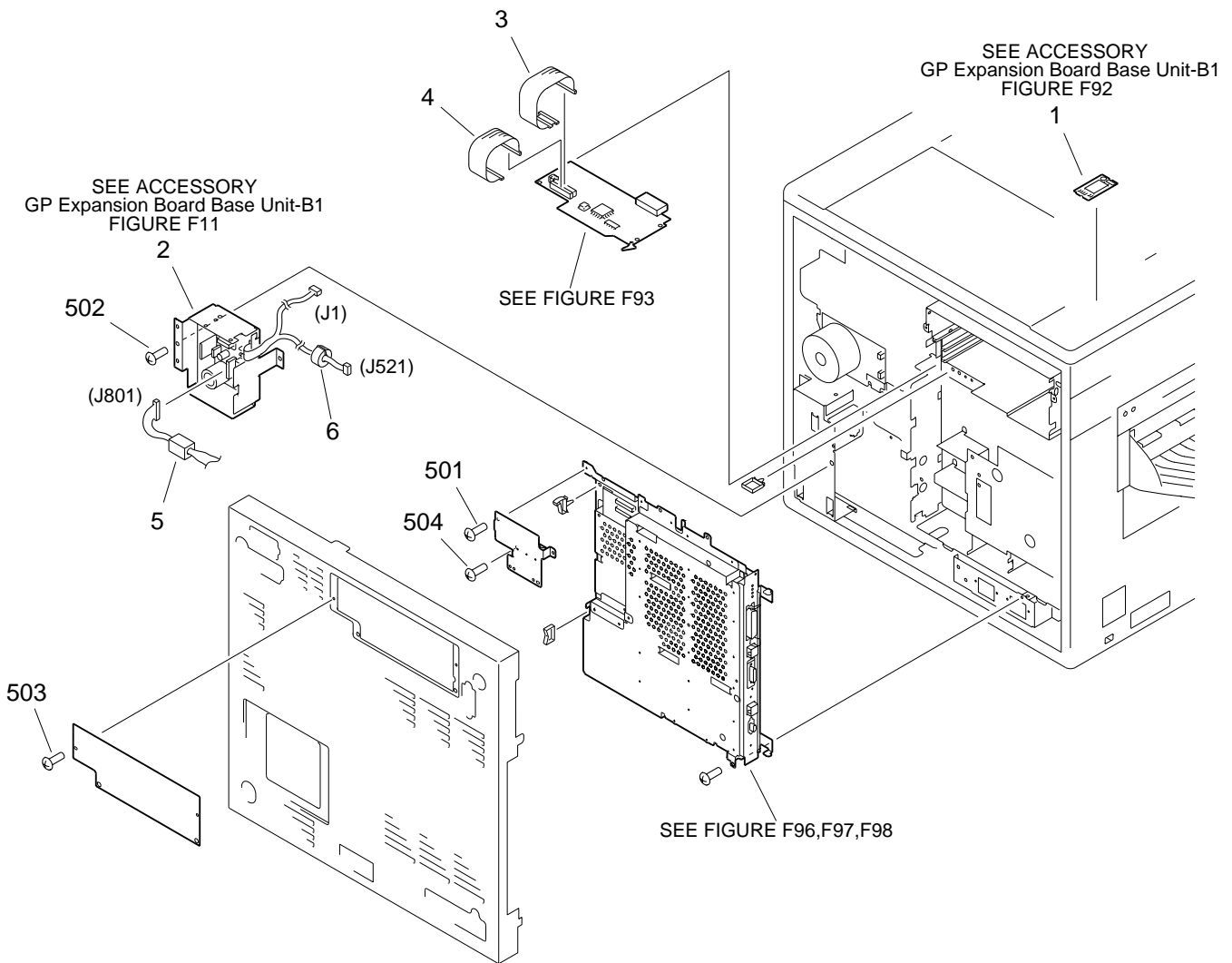


FIGURE & KEY NO.	PART NUMBER	RANK	QTY	DESCRIPTION	SERIAL NUMBER / REMARKS
F14 -	NPN		RF	EXPANSION BOARD KIT ASSEMBLY	
1	FG5 - 7496 - 000		1	CIST PCB ASSEMBLY	SEE FIGURE F92
2	FG6 - 3635 - 000		1	SYSTEM POWER SUPPLY ASSEMBLY	100/120V SEE FIGURE F11
	FG6 - 3636 - 000		1	SYSTEM POWER SUPPLY ASSEMBLY	220/240V SEE FIGURE F11
3	FH2 - 6355 - 000		1	CABLE, CONNECTING, 1	100/120V
	FH2 - 6403 - 000		1	CABLE, CONNECTING, 1	220/240V
4	FH2 - 6356 - 000		1	CABLE, CONNECTING, 2	100/120V
	FH2 - 6404 - 000		1	CABLE, CONNECTING, 2	220/240V
5	WE8 - 5118 - 000		1	CLAMP, SLEEVE FERRITE	220/240V
6	WE8 - 5183 - 000		1	CORE, FERRITE	220/240V
501	XB1 - 2300 - 607		4	SCREW,MACH.,TRUSS HEAD,M3X6	
502	XB2 - 7400 - 607		7	SCREW,W/WASHER,M4X6	
503	XB2 - 7400 - 806		2	SCREW,W/WASHER,M4X8	
504	XB6 - 7300 - 607		1	SCREW,TP,M3X6	

FIGURE F93 EXPANSION BOARD PCB ASSEMBLY

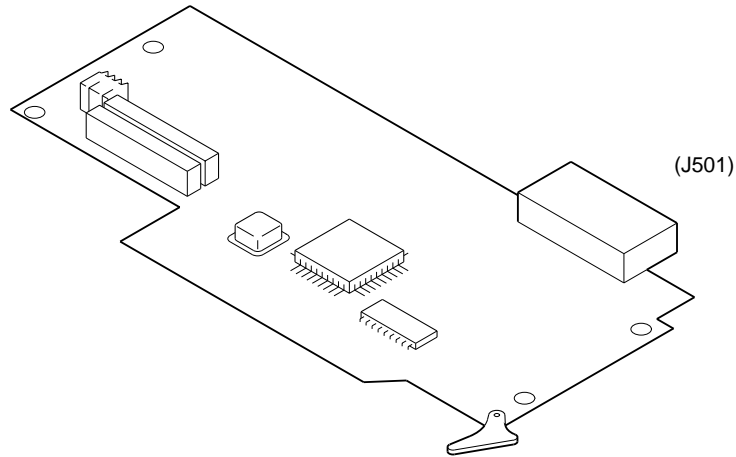


FIGURE & KEY NO.	PART NUMBER	RANK	QTY	DESCRIPTION	SERIAL NUMBER / REMARKS
F93 -	FG6 - 0676 - 000		1	EXPANSION BOARD PCB ASSEMBLY	
LED1	WG1 - 0157 - 000		1	LED, SEL2110RTGN	
LED2	WG1 - 0157 - 000		1	LED, SEL2110RTGN	
LED3	WG1 - 0157 - 000		1	LED, SEL2110RTGN	
LED4	WG1 - 0157 - 000		1	LED, SEL2110RTGN	
Q5 14	FH4 - 5816 - 000		1	IC, HG62G027S07, GATE ARRAY	
X1	FH6 - 3449 - 000		1	OSCILLATOR, CRYSTAL	

FIGURE F96 PS NETWORK PRINTER BOARD-C1 (100V)

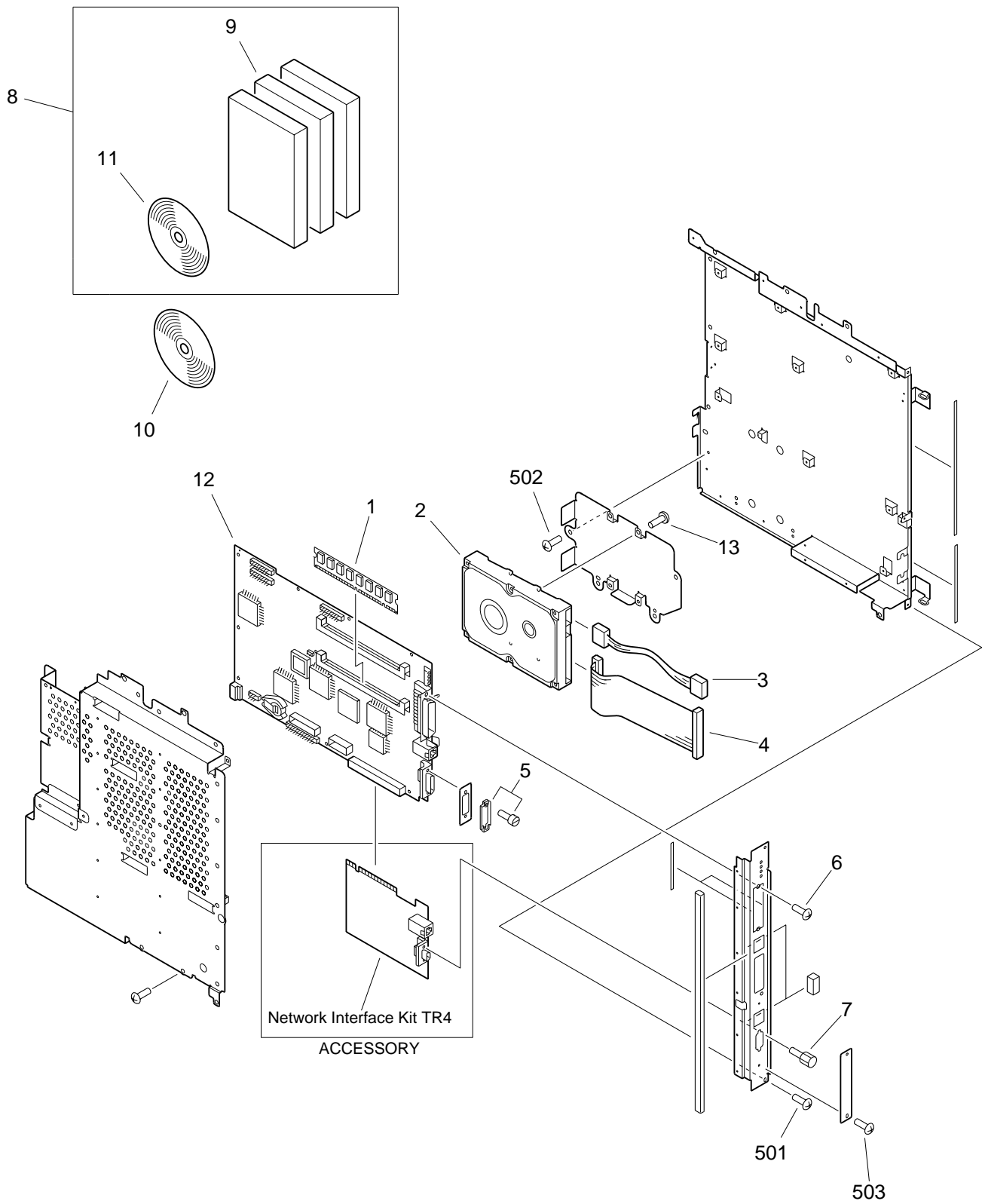


FIGURE & KEY NO.	PART NUMBER	RANK	QTY	DESCRIPTION	SERIAL NUMBER / REMARKS
F96 -	PCB		RF	PS NETWORK PRINTER BOARD-C1	100V
1	FE1 - 4897 - 000		1	DIMM	
2	FE1 - 4900 - 000		1	HARD DISK DRIVE UNIT	
3	FE1 - 4901 - 000		1	CABLE, POWER, HDD	
4	FE1 - 4902 - 000		1	CABLE, SIGNAL, HDD	
5	FE1 - 4903 - 000		1	LATCH UNIT	FOR AUI CONNECTOR FOR ETHERNET
6	FE1 - 4904 - 000		AR	SCREW,TAPPING	PARALLEL CONNECTOR
7	FE1 - 4905 - 000		AR	SCREW,TAPPING	STP CONNECTOR TOKEN RING BOARD
8	FE1 - 4922 - 000	N	1	MEDIA PACK V1.01 ENGLISH	
	FE1 - 4957 - 000	N	1	MEDIA PACK V1.01 FRENCH	
	FE1 - 4958 - 000	N	1	MEDIA PACK V1.01 GERMAN	
	FE1 - 4959 - 000	N	1	MEDIA PACK V1.01 ITALIAN	
	FE1 - 4960 - 000	N	1	MEDIA PACK V1.01 SPANISH	
	FE1 - 4978 - 000	N	1	MEDIA PACK V1.01 JAPANESE	
9	FE1 - 4923 - 000	N	1	DOCUMENT PACK V1.0 ENGLISH	
	FE1 - 4961 - 000	N	1	DOCUMENT PACK V1.0 FRENCH	
	FE1 - 4962 - 000	N	1	DOCUMENT PACK V1.0 GERMAN	
	FE1 - 4963 - 000	N	1	DOCUMENT PACK V1.0 ITALIAN	
	FE1 - 4964 - 000	N	1	DOCUMENT PACK V1.0 SPANISH	
	FE1 - 4979 - 000	N	1	DOCUMENT PACK V1.0 JAPANESE	
10	FE1 - 4976 - 000	N	1	SYSTEM SOFTWARE CD-DOM V1.01	
11	FE1 - 4977 - 000	N	1	USER SOFTWARE CD-ROM V1.0	
12	FE1 - 5037 - 000		1	PRINTER BOARD FOR C1	
13	XA9 - 0896 - 000		4	SCREW,M3.2X4.8	
501	XB2 - 7300 - 607		3	SCREW,W/WASHER,M3X6	
502	XB2 - 7400 - 607		4	SCREW,W/WASHER,M4X6	
503	XB6 - 7300 - 607		26	SCREW,TP,M3X6	

NETWORK MULTI-PDL PRINTER BOARD-D1 (120/220/240V)

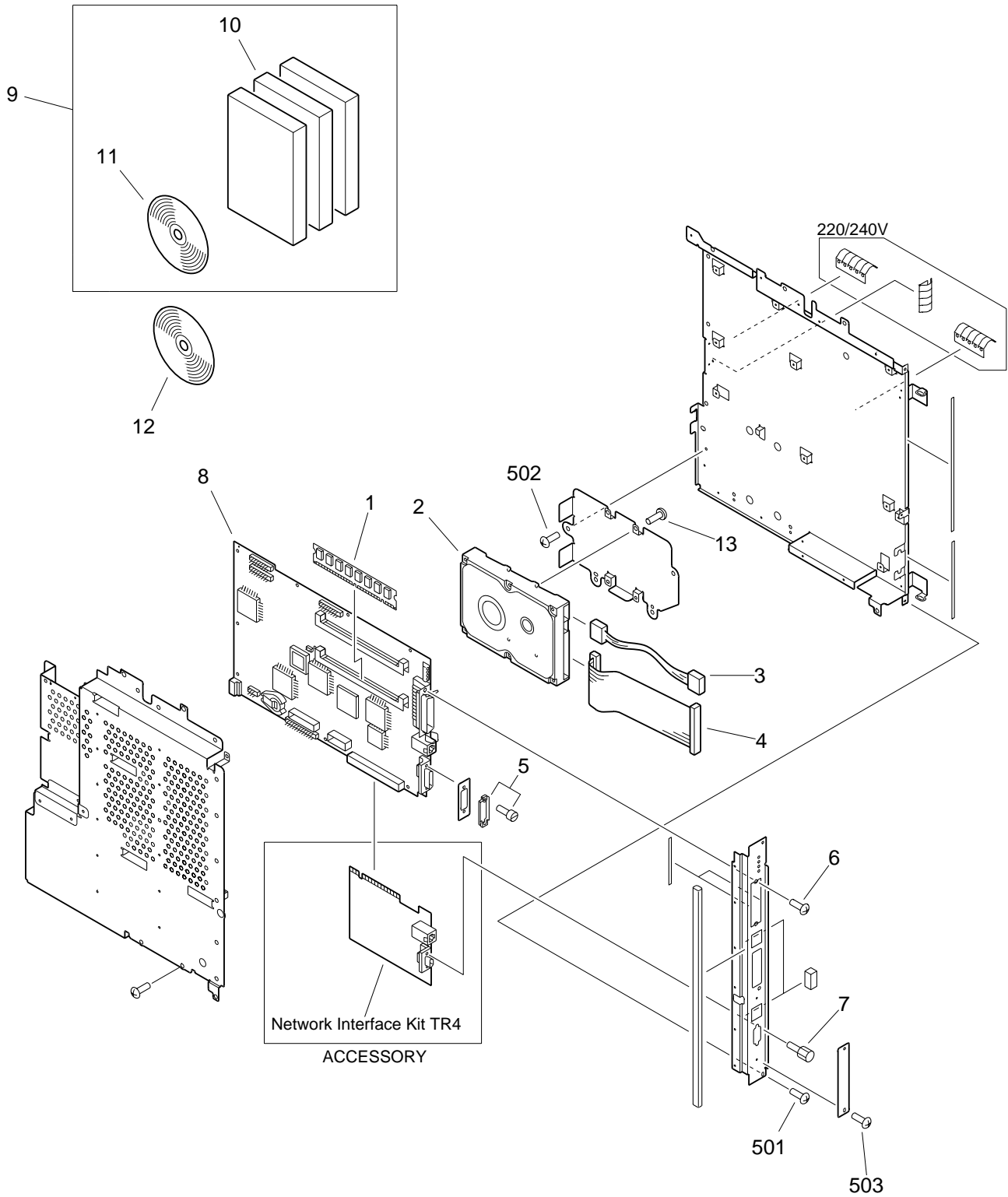


FIGURE & KEY NO.	PART NUMBER	RANK	QTY	DESCRIPTION	SERIAL NUMBER / REMARKS
F97 -	PCB		RF	NETWORK MULTI-PDL P. BOARD-D1	120/220/240V
1	FE1 - 4897 - 000		1	DIMM	
2	FE1 - 4900 - 000		1	HARD DISK DRIVE UNIT	
3	FE1 - 4901 - 000		1	CABLE, POWER, HDD	
4	FE1 - 4902 - 000		1	CABLE, SIGNAL, HDD	
5	FE1 - 4903 - 000		1	LATCH UNIT	FOR AUI CONNECTOR FOR ETHERNET
6	FE1 - 4904 - 000		AR	SCREW,TAPPING	PARALLEL CONNECTOR
7	FE1 - 4905 - 000		AR	SCREW,TAPPING	STP CONNECTOR TOKEN RING BOARD
8	FE1 - 4921 - 000		1	PRINTER BOARD FOR D1	
9	FE1 - 4922 - 000	N	1	MEDIA PACK V1.01 ENGLISH	
	FE1 - 4957 - 000	N	1	MEDIA PACK V1.01 FRENCH	
	FE1 - 4958 - 000	N	1	MEDIA PACK V1.01 GERMAN	
	FE1 - 4959 - 000	N	1	MEDIA PACK V1.01 ITALIAN	
	FE1 - 4960 - 000	N	1	MEDIA PACK V1.01 SPANISH	
	FE1 - 4978 - 000	N	1	MEDIA PACK V1.01 JAPANESE	
10	FE1 - 4923 - 000	N	1	DOCUMENT PACK V1.0 ENGLISH	
	FE1 - 4961 - 000	N	1	DOCUMENT PACK V1.0 FRENCH	
	FE1 - 4962 - 000	N	1	DOCUMENT PACK V1.0 GERMAN	
	FE1 - 4963 - 000	N	1	DOCUMENT PACK V1.0 ITALIAN	
	FE1 - 4964 - 000	N	1	DOCUMENT PACK V1.0 SPANISH	
	FE1 - 4979 - 000	N	1	DOCUMENT PACK V1.0 JAPANESE	
11	FE1 - 4924 - 000	N	1	USER SOFTWARE CD-ROM V1.0	
12	FE1 - 4925 - 000	N	1	SYSTEM SOFTWARE CD-ROM V1.01	
13	XA9 - 0896 - 000		4	SCREW,M3.2X4.8	
501	XB2 - 7300 - 607		3	SCREW,W/WASHER,M3X6	
502	XB2 - 7400 - 607		4	SCREW,W/WASHER,M4X6	
503	XB6 - 7300 - 607		26	SCREW,TP,M3X6	

NETWORK PRINTER BOARD-E1 (120/220/240V)

FIGURE F98

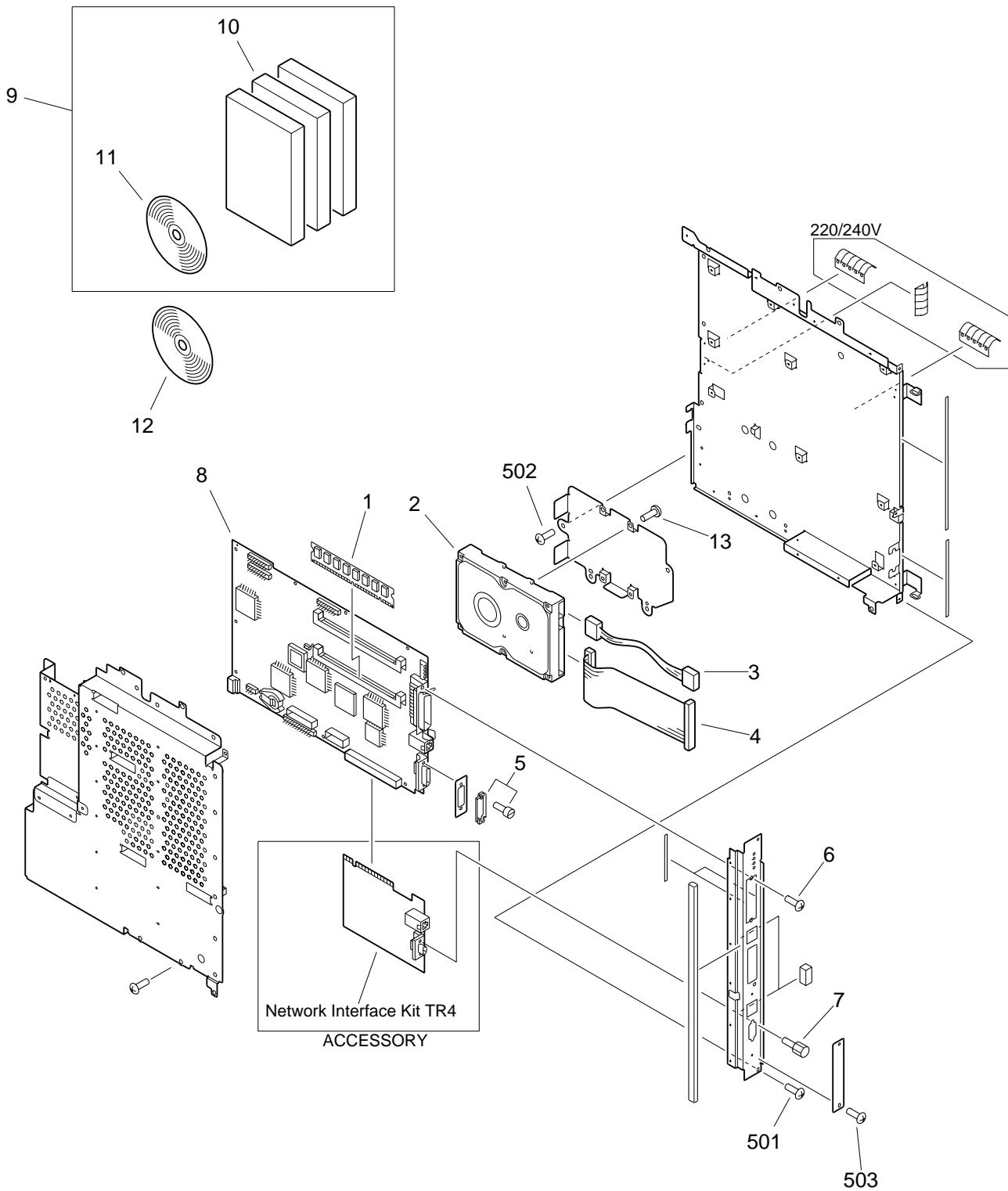


FIGURE & KEY NO.	PART NUMBER	RANK	QTY	DESCRIPTION	SERIAL NUMBER / REMARKS
F98 -	PCB		RF	NETWORK PRINTER BOARD-E1	120/220/240V
1	FE1 - 4897 - 000		1	DIMM	
2	FE1 - 4900 - 000		1	HARD DISK DRIVE UNIT	
3	FE1 - 4901 - 000		1	CABLE, POWER, HDD	
4	FE1 - 4902 - 000		1	CABLE, SIGNAL, HDD	
5	FE1 - 4903 - 000		1	LATCH UNIT	FOR AUI CONNECTOR FOR ETHERNET
6	FE1 - 4904 - 000		AR	SCREW,TAPPING	PARALLEL CONNECTOR
7	FE1 - 4905 - 000		AR	SCREW,TAPPING	STP CONNECTOR TOKEN RING BOARD
8	FE1 - 4920 - 000		1	PRINTER BOARD FOR E1	
9	FE1 - 4922 - 000	N	1	MEDIA PACK V1.01 ENGLISH	
	FE1 - 4957 - 000	N	1	MEDIA PACK V1.01 FRENCH	
	FE1 - 4958 - 000	N	1	MEDIA PACK V1.01 GERMAN	
	FE1 - 4959 - 000	N	1	MEDIA PACK V1.01 ITALIAN	
	FE1 - 4960 - 000	N	1	MEDIA PACK V1.01 SPANISH	
	FE1 - 4978 - 000	N	1	MEDIA PACK V1.01 JAPANESE	
10	FE1 - 4923 - 000	N	1	DOCUMENT PACK V1.0 ENGLISH	
	FE1 - 4961 - 000	N	1	DOCUMENT PACK V1.0 FRENCH	
	FE1 - 4962 - 000	N	1	DOCUMENT PACK V1.0 GERMAN	
	FE1 - 4963 - 000	N	1	DOCUMENT PACK V1.0 ITALIAN	
	FE1 - 4964 - 000	N	1	DOCUMENT PACK V1.0 SPANISH	
	FE1 - 4979 - 000	N	1	DOCUMENT PACK V1.0 JAPANESE	
11	FE1 - 4924 - 000	N	1	USER SOFTWARE CD-ROM V1.0	
12	FE1 - 4925 - 000	N	1	SYSTEM SOFTWARE CD-ROM V1.01	
13	XA9 - 0896 - 000		4	SCREW,M3.2X4.8	
501	XB2 - 7300 - 607		3	SCREW,W/WASHER,M3X6	
502	XB2 - 7400 - 607		4	SCREW,W/WASHER,M4X6	
503	XB6 - 7300 - 607		26	SCREW,TP,M3X6	

G3 FAX Board-C1

G3 FAX Board-C1

100V JAPANESE	F61-6511
220V ITALIAN	F61-6521
120V ENGLISH	F61-6531
220V ENGLISH EC	F61-6541
220V FRENCH	F61-6571
220V SPANISH	F61-6581

G3 FAX Board-C1, UK

240V ENGLISH UK	F61-6551
-----------------	----------

CONTENTS

GA. ASSEMBLY LOCATION DIAGRAM

G10. FAX KIT

G90. FAX BOARD PCB ASSEMBLY

G91. NCU BOARD PCB ASSEMBLY

D7. NUMERICAL INDEX

FIGURE GA ASSEMBLY LOCATION DIAGRAM

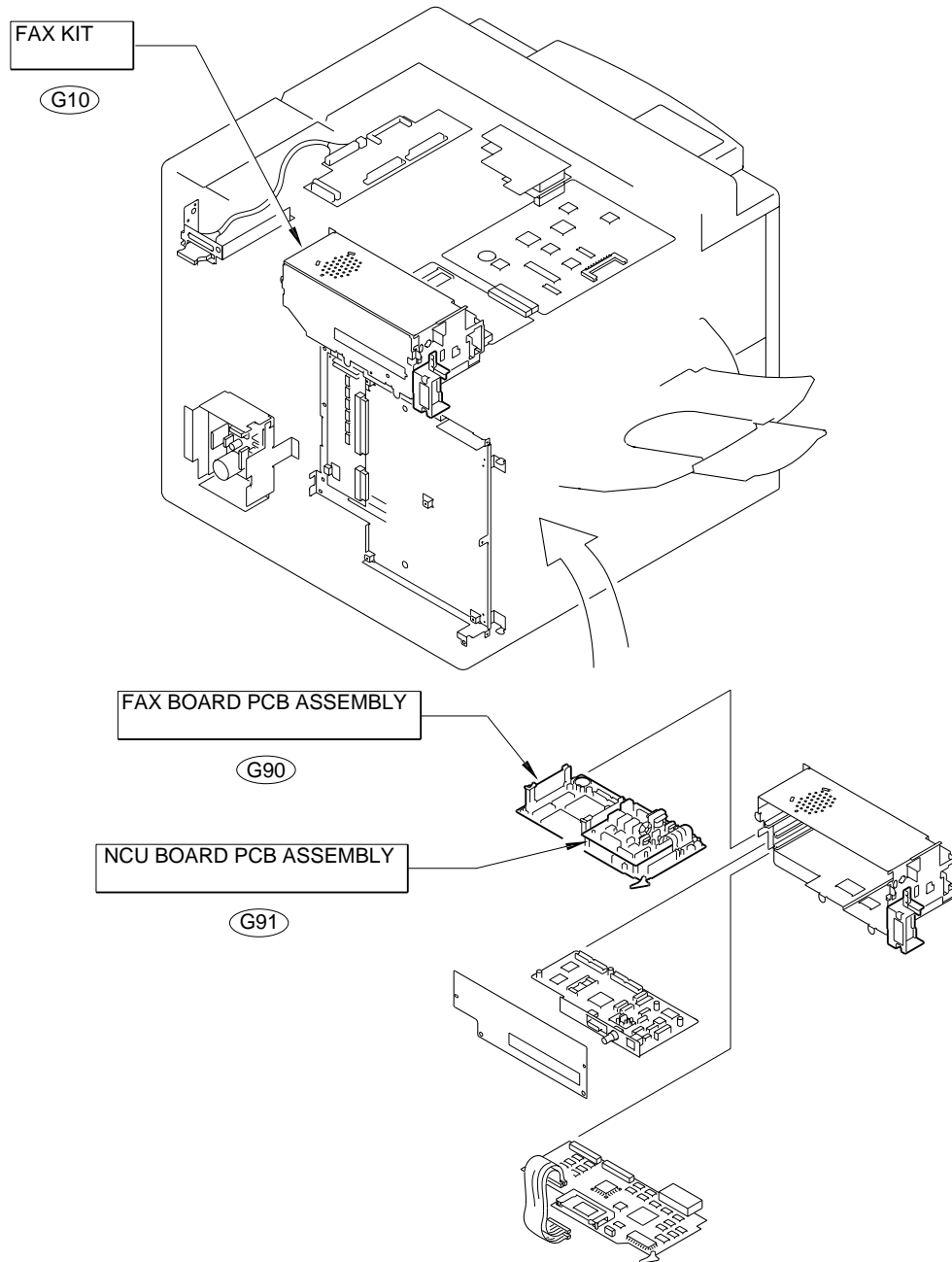


FIGURE G10 FAX KIT

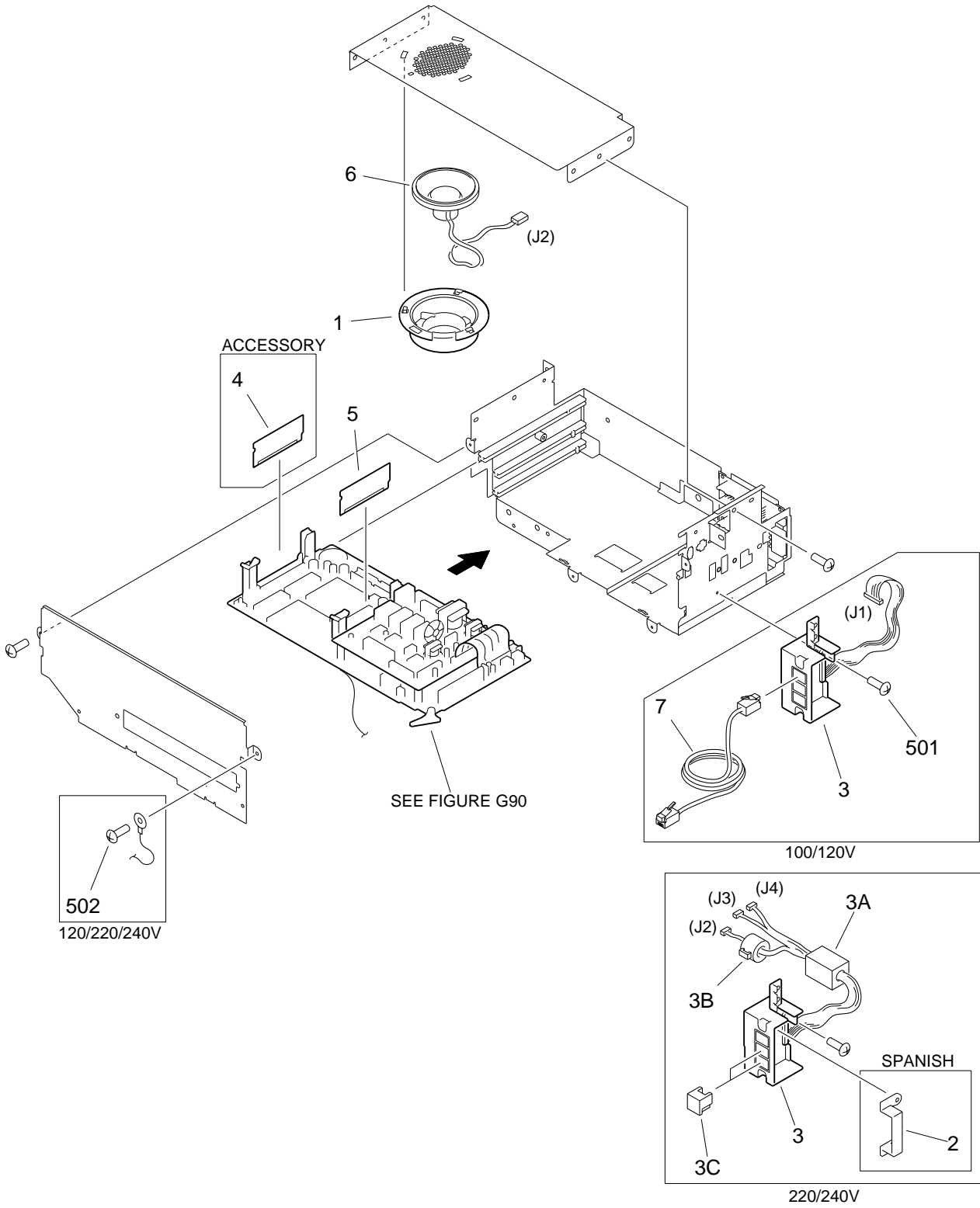
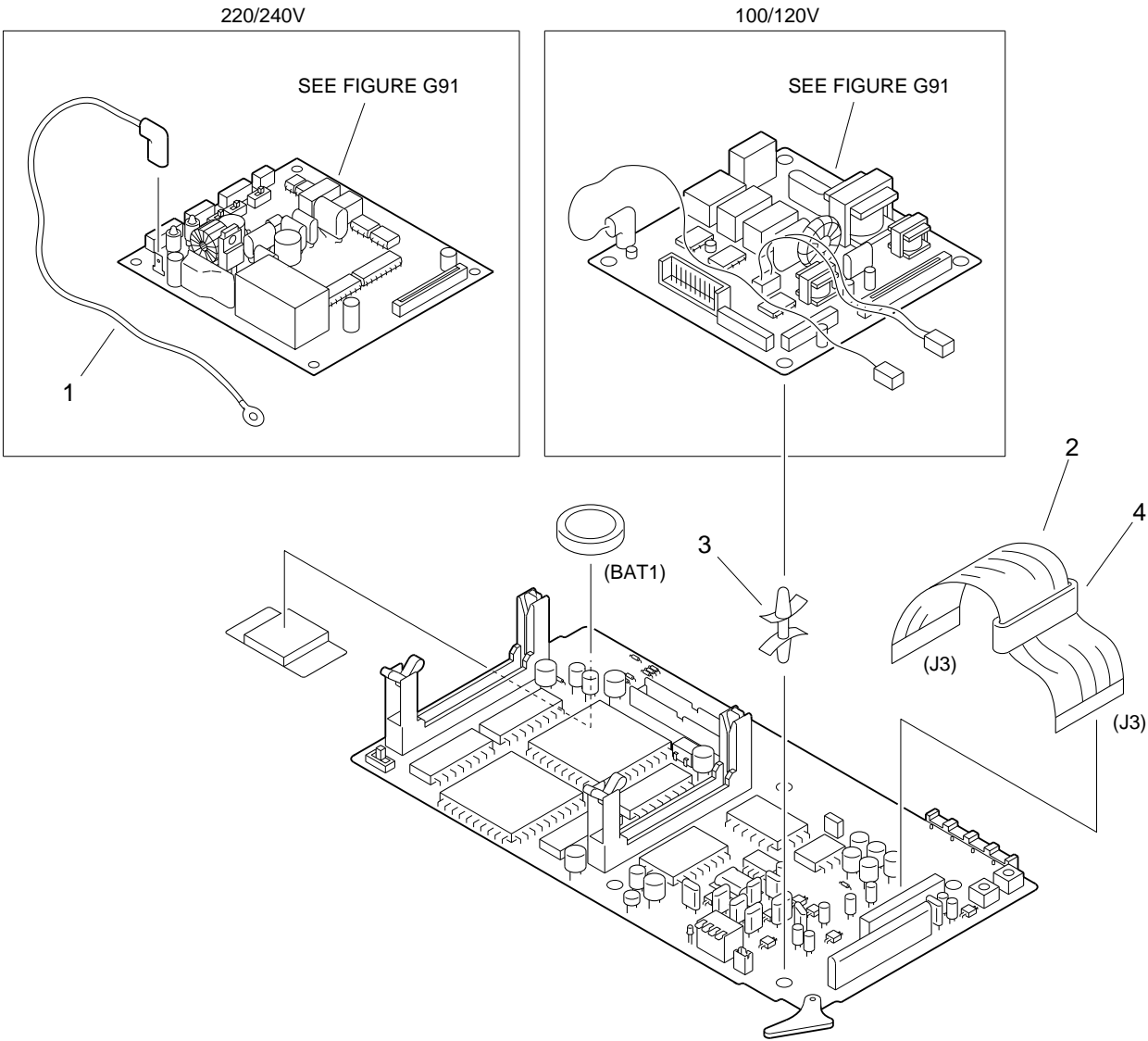


FIGURE & KEY NO.	PART NUMBER	RANK	QTY	DESCRIPTION	SERIAL NUMBER / REMARKS
G10 -	NPN		RF	FAX KIT	
1	FB3 - 3175 - 000		1	HOLDER, SPEAKER	
2	FB3 - 9656 - 000		1	COVER, BLANKING	220V SPANISH
3	FG5 - 6358 - 000		1	MODULAR PCB UNIT	100V JAPANESE 120V ENGLISH J1
	FG5 - 8519 - 000		1	MODULAR PCB UNIT	220/240V ENGLISH 220V FRENCH J2,3,4
	FG5 - 6174 - 000		1	MODULAR PCB UNIT	220V ITALIAN J2,3,4
	FG6 - 0107 - 000		1	MODULAR PCB UNIT	220V SPANISH J2,3,4
3 A	WE8 - 5118 - 000		1	CLAMP, SLEEVE FERRITE	220/240V
3 B	WE8 - 5496 - 000		1	CORE, FERRITE	220/240V
3 C	WS9 - 5038 - 000		2	SPACER, MODULAR	220/240V ENGLISH 220V FRENCH
	WS1 - 5370 - 000		2	SPACER, MODULAR	220V ITALIAN 220V SPANISH
4	FH6 - 3582 - 000	N	1	DIMM, FAX EXTENTION, B	ACCESSORY 9M BYTE
5	FH6 - 3583 - 000	N	1	DIMM, FAX EXTENTION, A	ACCESSORY 3M BYTE
	FH6 - 3583 - 000	N	1	DIMM, FAX EXTENTION, A	120V ENGLISH
6	FH6 - 3584 - 000		1	SPEAKER	J2
7	HH2 - 2484 - 000		1	CABLE, MODULAR	100/120V
5 0 1	XB1 - 2300 - 607		1	SCREW,MACH.,TRUSS HEAD,M3X6	
5 0 2	XB2 - 7400 - 607		1	SCREW,W/WASHER,M4X6	120/220/240V

FIGURE G90 FAX BOARD PCB ASSEMBLY

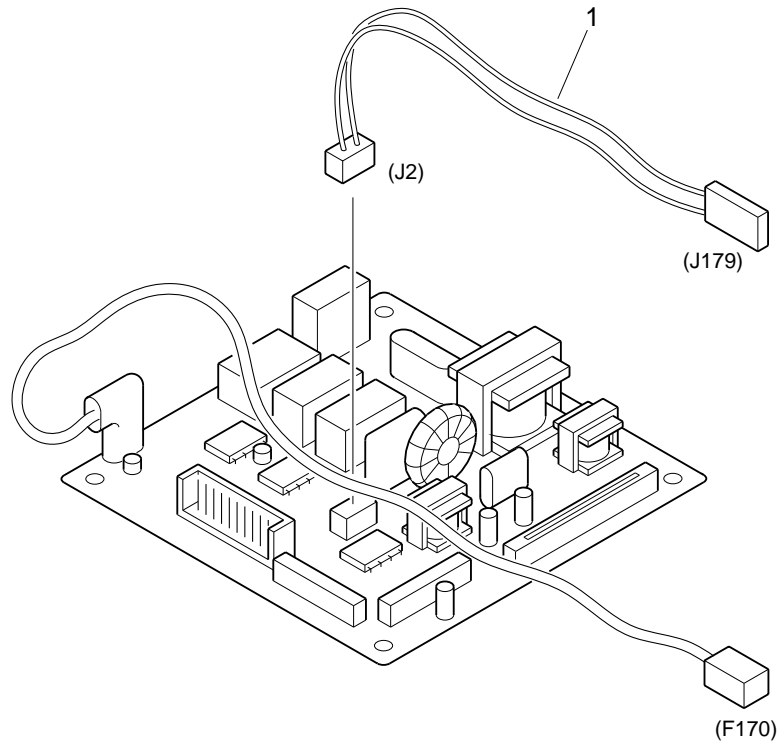


NOTE: This assembly includes the assembly shown in Figure G91.

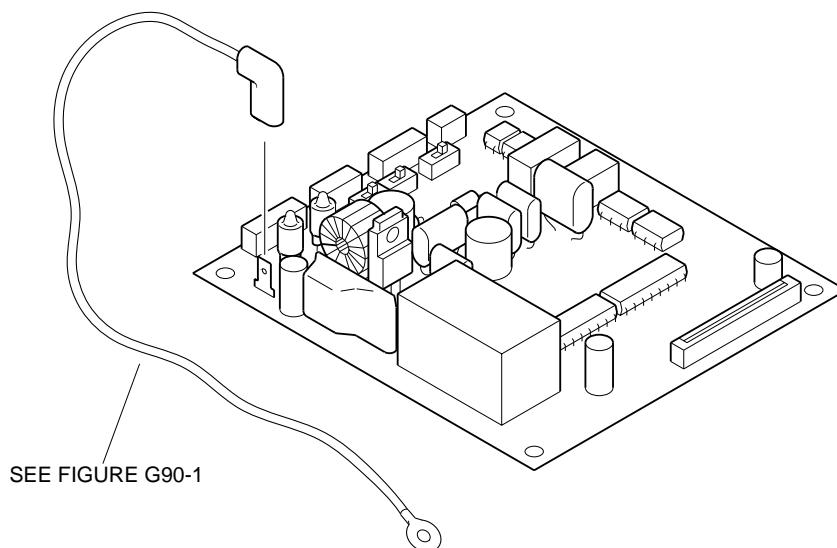
FIGURE & KEY NO.	PART NUMBER	RANK	QTY	DESCRIPTION	SERIAL NUMBER / REMARKS
G90 -	FG5 - 6357 - 020		1	FAX BOARD PCB ASSEMBLY	JAPANESE 100V SEE NOTE
	FG5 - 6173 - 000		1	FAX BOARD PCB ASSEMBLY	ITALIAN 220V SEE NOTE
	FG5 - 7864 - 000		1	FAX BOARD PCB ASSEMBLY	ENGLISH 120V SEE NOTE
	FG5 - 8517 - 020		1	FAX BOARD PCB ASSEMBLY	ENGLISH 220/240V SPANISH 220V SEE NOTE
	FG5 - 8520 - 000		1	FAX BOARD PCB ASSEMBLY	FRENCH 220V SEE NOTE
1	FF3 - 2018 - 000		1	CABLE, ARESTA GROUNDING	220/240V
2	FH2 - 6341 - 000		1	CABLE, FCC	J3
3	VT2 - 0013 - 180		4	SPACER, PCB	
4	WE8 - 5021 - 000		1	CORE, FERRITE	
BAT 1	WK1 - 5102 - 000		1	BATTERY, LITHIUM	
J 8	FF3 - 1607 - 000		1	CABLE, GROUNDING	100/120V
LED1	WG1 - 0157 - 000		1	LED, SEL2110RTGN	
Q 4	HH7 - 2006 - 000		1	IC, ZHMA5751A, HYBRID	100/120V
	HH5 - 2055 - 000		1	IC, HG62G070R20F, GATE ARRAY	220/240V
Q 7	HH5 - 2055 - 000		1	IC, HG62G070R20F, GATE ARRAY	100/120V
Q 8	HH7 - 2178 - 000		1	IC, AFM97F002X1, HYBRID	220/240V
Q14	FH4 - 5725 - 000		1	IC, TC160ED201AF-12,GATE ARRAY	220/240V
Q19	FH4 - 5725 - 000		1	IC, TC160ED201AF-12,GATE ARRAY	100/120V
Q27	HH4 - 2181 - 000		1	IC, UPD7757G-546, VOICE LSI	100V

FIGURE G91 NCU BOARD PCB ASSEMBLY

100/120V



220/240V



NOTE: This assembly is included in the assembly shown in Figure G90.

FIGURE & KEY NO.	PART NUMBER	RANK	QTY	DESCRIPTION	SERIAL NUMBER / REMARKS	
G91 -	FG5 - 7110 - 020		1	NCU BOARD PCB ASSEMBLY	JAPANESE 100V SEE NOTE	
	HG5 - 1224 - 000		1	NCU BOARD PCB ASSEMBLY	ITALIAN 220V SEE NOTE	
	FG5 - 7503 - 000		1	NCU BOARD PCB ASSEMBLY	ENGLISH 120V SEE NOTE	
	HG5 - 0616 - 000		1	NCU BOARD PCB ASSEMBLY	ENGLISH 220/240V SEE NOTE SPANISH 220V SEE NOTE	
1	HG5 - 0886 - 000		1	NCU BOARD PCB ASSEMBLY	FRENCH 220V SEE NOTE	
	FF3 - 1443 - 000		1	CABLE, CI CONNECTING	JAPANESE 100V J2,179	
	FF3 - 1312 - 000		1	CABLE, CI CONNECTING	ENGLISH 120V J2,179	
	FT1	FF3 - 1442 - 000		1	CABLE, ARESTA CONNECTING	JAPANESE 100V F170
		FF3 - 2019 - 000		1	CABLE, ARESTA CONNECTING	ENGLISH 120V F170
L2	HH7 - 2298 - 000		1	INDUCTOR, TSU-FT481	ENGLISH 220/240V SPANISH 220V	
L3	HH7 - 1140 - 000		1	COIL, CHOKE	JAPANESE 100V ENGLISH 120V	
	HH7 - 2240 - 000		1	INDUCTOR, TSU-FL474	ENGLISH 220/240V SPANISH 220V	
LT1	HH7 - 1174 - 000		1	TRANSFORMER, AUDIO	JAPANESE 100V ENGLISH 120V	
LT2	HH7 - 1141 - 000		1	TRANSFORMER	JAPANESE 100V ENGLISH 120V	
Q1	HH7 - 2335 - 000		1	TRANSISTOR, 2SD2217NC3	ITALIAN 220V	
	HH7 - 2226 - 000		1	TRANSISTOR, 2SD2217NC1	ENGLISH 220/240V SPANISH 220V	
T1	HH7 - 2179 - 000		1	TRANSFORMER, TSU-FM456B	ITALIAN 220V ENGLISH 220/240V FRENCH 220V SPANISH 220V	
T2	HH7 - 2209 - 000		1	DC RESISTOR CONTROL MODULE	FRENCH 220V	

Super G3 FAX Board-D1

Super G3 FAX Board - D1

100V	F61-6515
120V USA	F61-6525

CONTENTS

- GA. ASSEMBLY LOCATION DIAGRAM**

- G11. FAX KIT**

- G92. FAX BOARD PCB ASSEMBLY**
- G93. NCU BOARD PCB ASSEMBLY**

- D8. NUMERICAL INDEX**

FIGURE GA ASSEMBLY LOCATION DIAGRAM

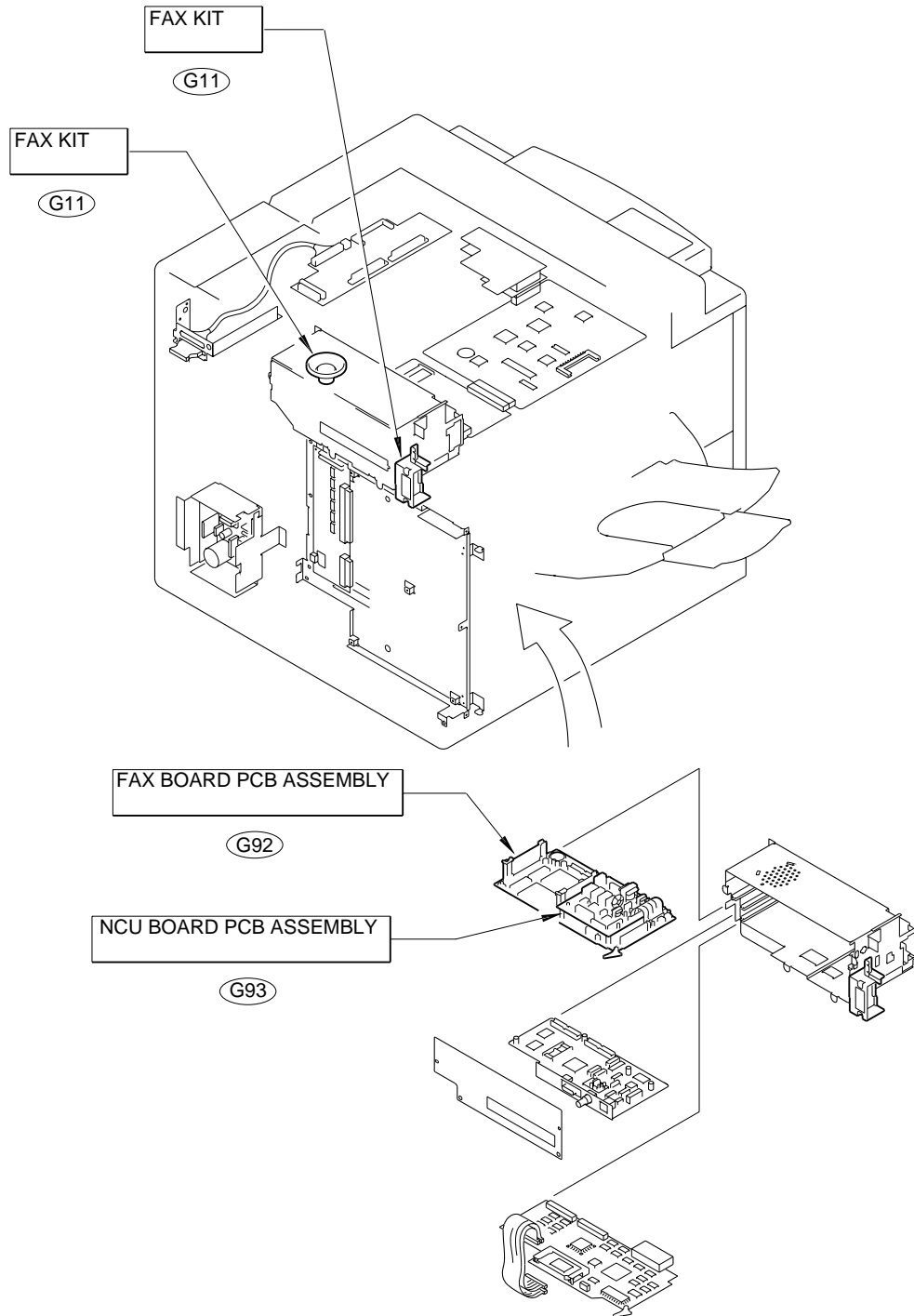


FIGURE G11 FAX KIT

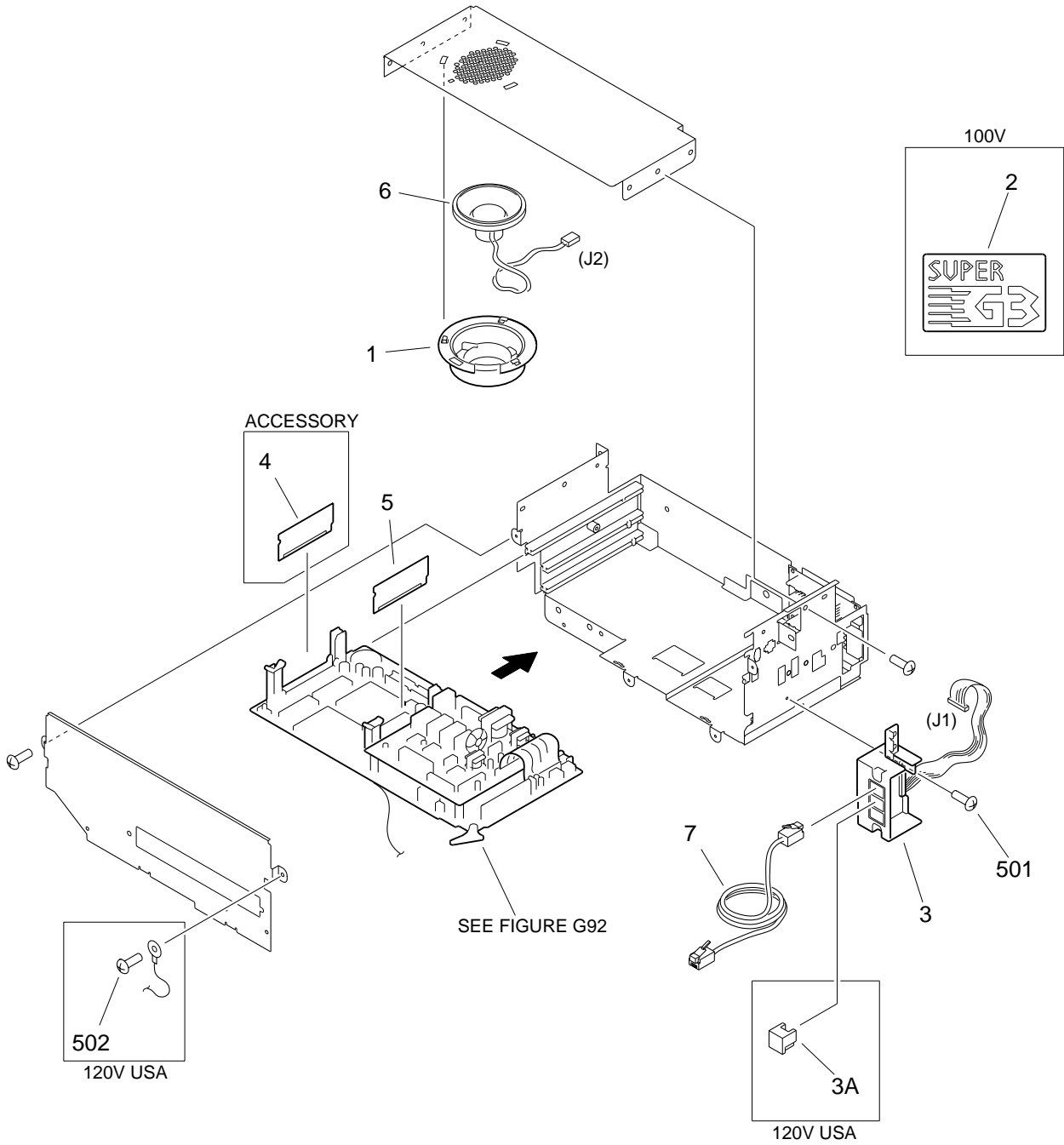
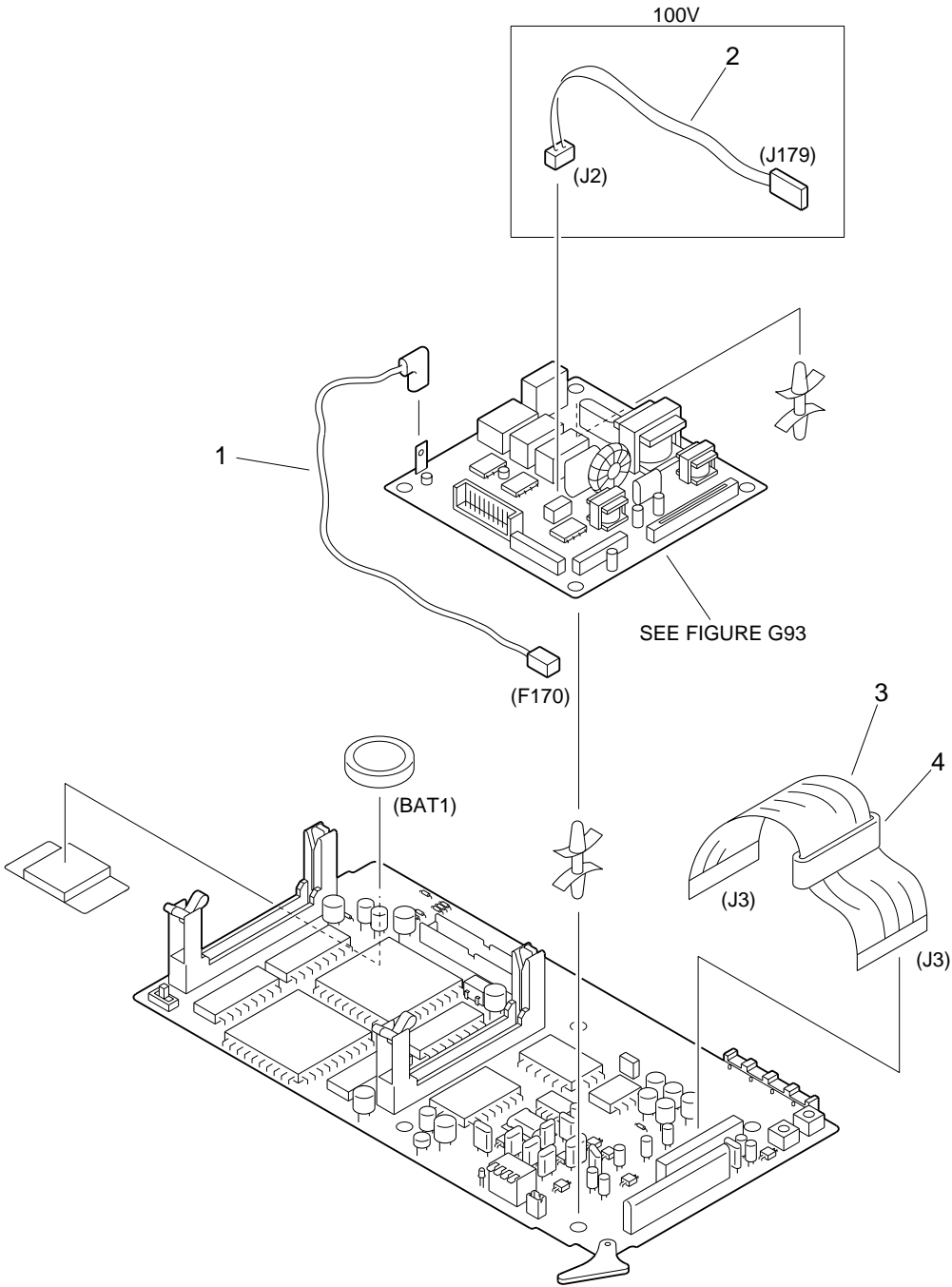


FIGURE & KEY NO.	PART NUMBER	RANK	QTY	DESCRIPTION	SERIAL NUMBER / REMARKS
G11 -	NPN		RF	FAX KIT	
1	FB3 - 3175 - 000		1	HOLDER, SPEAKER	
2	FB4 - 6724 - 000		1	LABEL, "SUPER G3"	100V
3	FG5 - 9022 - 000		1	MODULAR PCB UNIT	100V J1
	FG6 - 1703 - 000		1	MODULAR PCB UNIT	120V USA J1
3 A	WS9 - 5038 - 000		1	SPACER, MODULAR	120V USA
4	FH6 - 3582 - 000	N	1	DIMM, FAX EXTENTION, B	ACCESSORY 9M BYTE
5	FH6 - 3583 - 000	N	1	DIMM, FAX EXTENTION, A	ACCESSORY 3M BYTE
	FH6 - 3724 - 000		1	FLASH MEMORY PCB ASSEMBLY	120V USA 3M BYTE
6	FH6 - 3584 - 000		1	SPEAKER	J2
7	HH2 - 2484 - 000		1	CABLE, MODULAR	
501	XB1 - 2300 - 607		1	SCREW,MACH.,TRUSS HEAD,M3X6	
502	XB2 - 7400 - 607		1	SCREW,W/WASHER,M4X6	120V USA

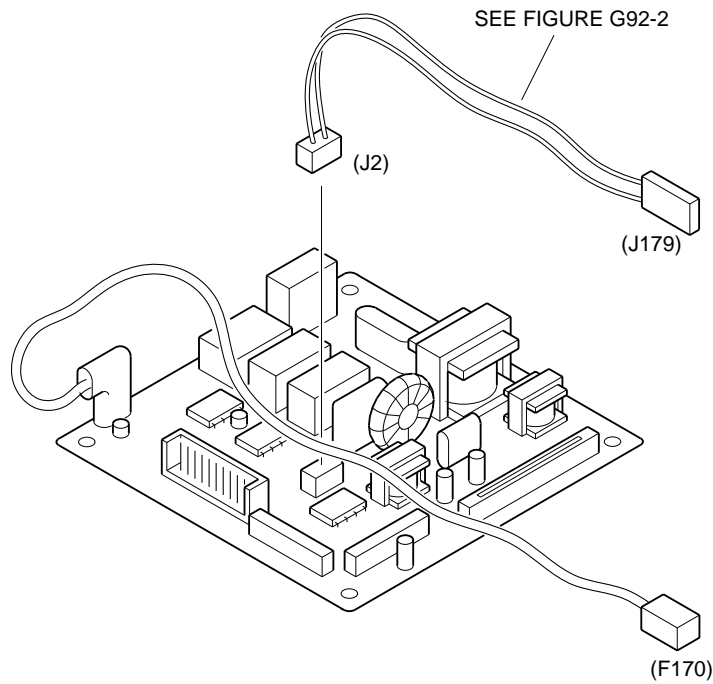
FIGURE G92 FAX BOARD PCB ASSEMBLY



NOTE: This assembly includes the assembly shown in Figure G93.

FIGURE & KEY NO.	PART NUMBER	RANK	QTY	DESCRIPTION	SERIAL NUMBER / REMARKS
G92 - 1	FG5 - 9021 - 000		1	FAX BOARD PCB ASSEMBLY	100V SEE NOTE
	FG3 - 0056 - 000		1	FAX BOARD PCB ASSEMBLY	120V USA SEE NOTE
	FF3 - 2054 - 000		1	CABLE, ARESTA GROUNDING	100V F170
	FF3 - 2018 - 000		1	CABLE, ARESTA GROUNDING	120V USA F170
	2	FF3 - 2055 - 000		1	CABLE, CI
3	FH2 - 6341 - 000		1	CABLE, FCC	J3
4	WE8 - 5021 - 000		1	CORE, FERRITE	
BAT 1	WK1 - 5102 - 000		1	BATTERY, LITHIUM	
LED1	WG1 - 0157 - 000		1	LED, SEL2110RTGN	
Q 7	HH5 - 2055 - 000		1	IC, HG62G070R20F, GATE ARRAY	
Q19	FH4 - 5725 - 000		1	IC, TC160ED201AF-12,GATE ARRAY	
Q27	HH4 - 2181 - 000		1	IC, UPD7757G-546, VOICE LSI	100V

FIGURE G93 NCU BOARD PCB ASSEMBLY



NOTE: This assembly is included in the assembly shown in Figure G92.

FIGURE & KEY NO.	PART NUMBER	RANK	QTY	DESCRIPTION	SERIAL NUMBER / REMARKS
G93 -	HG5 - 1039 - 000		1	NCU BOARD PCB ASSEMBLY	100V SEE NOTE
	HG1 - 4268 - 000		1	NCU BOARD PCB ASSEMBLY	120V USA SEE NOTE
I C3	HH7 - 2257 - 000		1	PHOTO-COUPLER	100V
I C4	HH7 - 2257 - 000		1	PHOTO-COUPLER	100V
L 1	HH7 - 1477 - 000		1	INDUCTOR, TSU-FL163	100V

T 1	HH7 - 2120 - 000		1	TRANSFORMER	
T 2	HH7 - 2112 - 000		1	TRANSFORMER, TSU-FT463A	

GP Hand Set-B1

[100V F61-6530]

GP Hand Set-B1
[120V USA F61-6560]

CONTENTS

GA. ASSEMBLY LOCATION DIAGRAM

G97. HAND SET KIT

D9. NUMERICAL INDEX

FIGURE GA ASSEMBLY LOCATION DIAGRAM

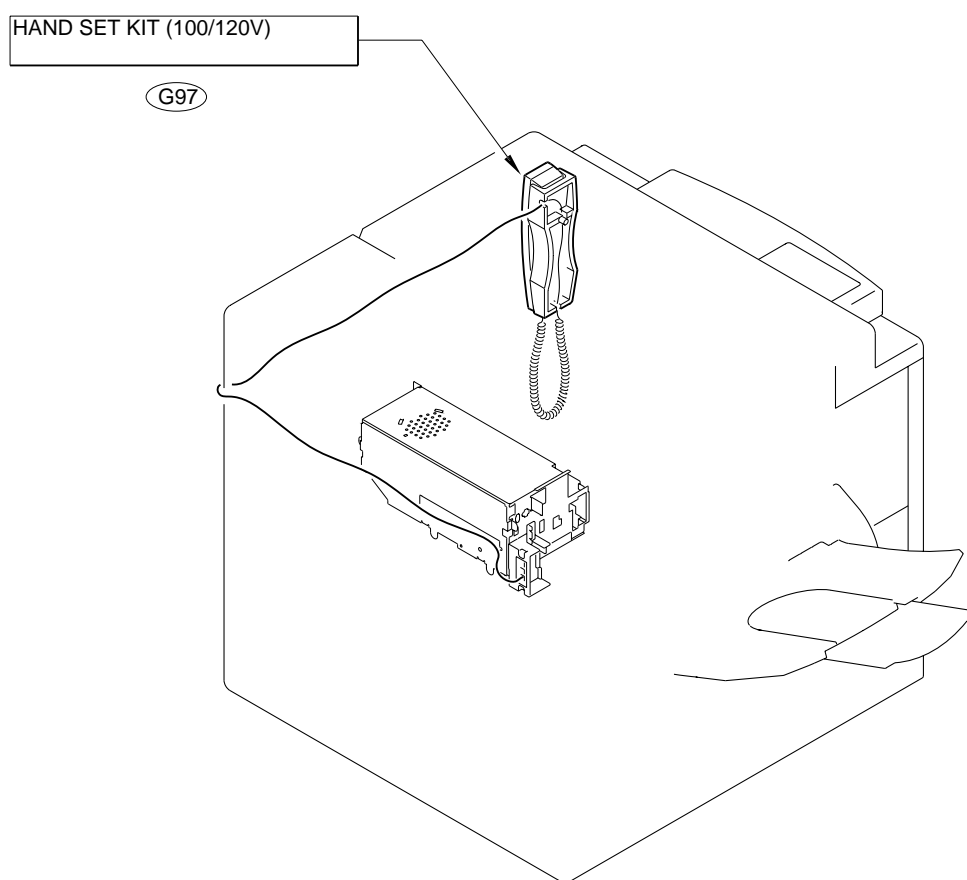


FIGURE G97 HAND SET KIT

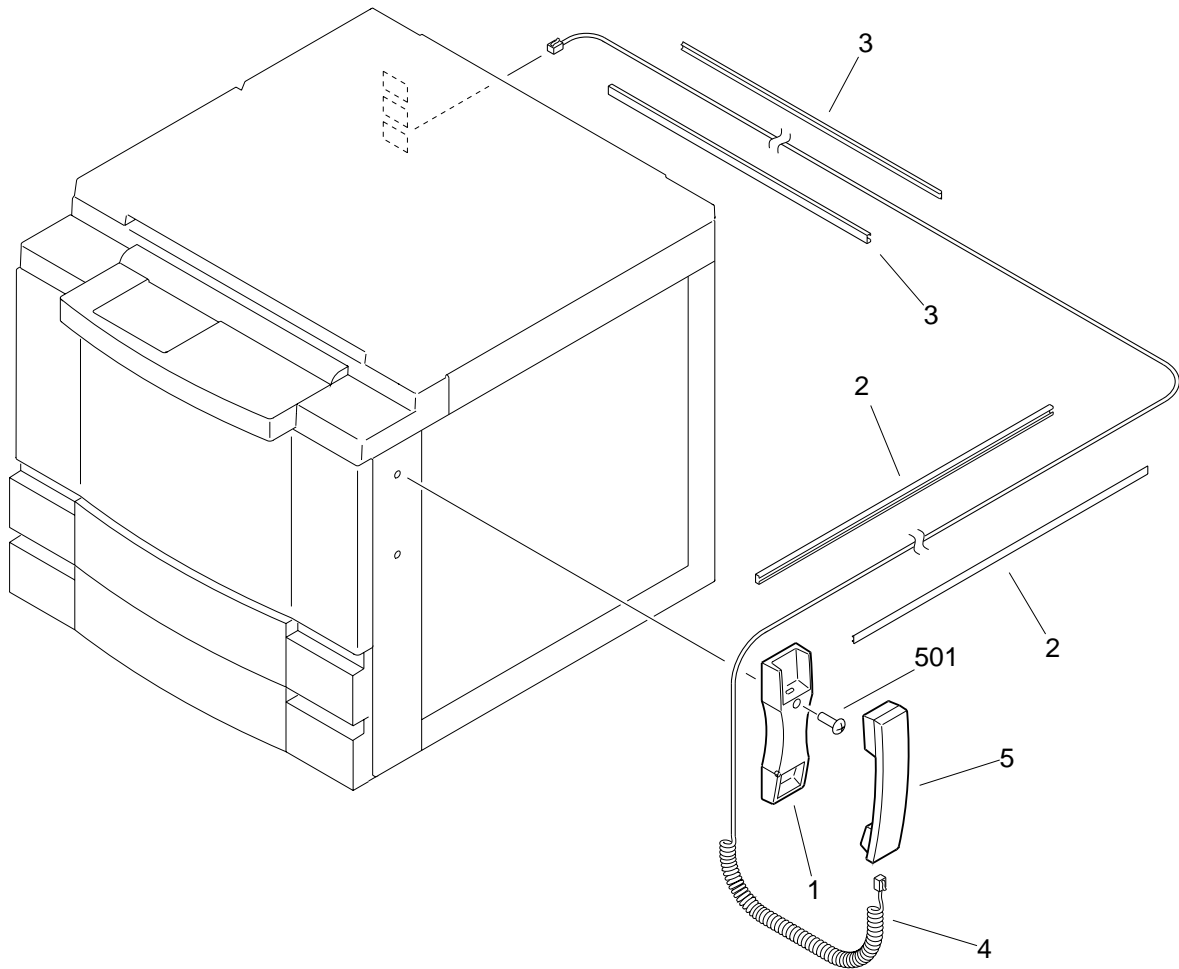


FIGURE & KEY NO.	PART NUMBER	RANK	QTY	DESCRIPTION	SERIAL NUMBER / REMARKS
G97 -	NPN		RF	HAND SET KIT	
1	FB3 - 3177 - 020		1	HOLDER, HAND SET UNIT	
2	FB3 - 3178 - 000		1	COVER, CABLE, SIDE	
3	FB3 - 3179 - 000		1	COVER, CABLE, REAR	
4	FH2 - 6352 - 000		1	CABLE, MODULAR	
5	HH7 - 2124 - 000		1	HAND SET UNIT	100V
	HH7 - 2104 - 000		1	HAND SET UNIT	120V USA
501	XB1 - 2401 - 607		1	SCREW,MACH.,TRUSS HEAD,M4X16	

Multi-PDL Printer Board-B1 Printer Board-P3

Multi-PDL Printer Board-B1	
[220/240V	F61-6502]
Printer Board-P3	
[220/240V	F61-6512]
[100V	F61-6522]

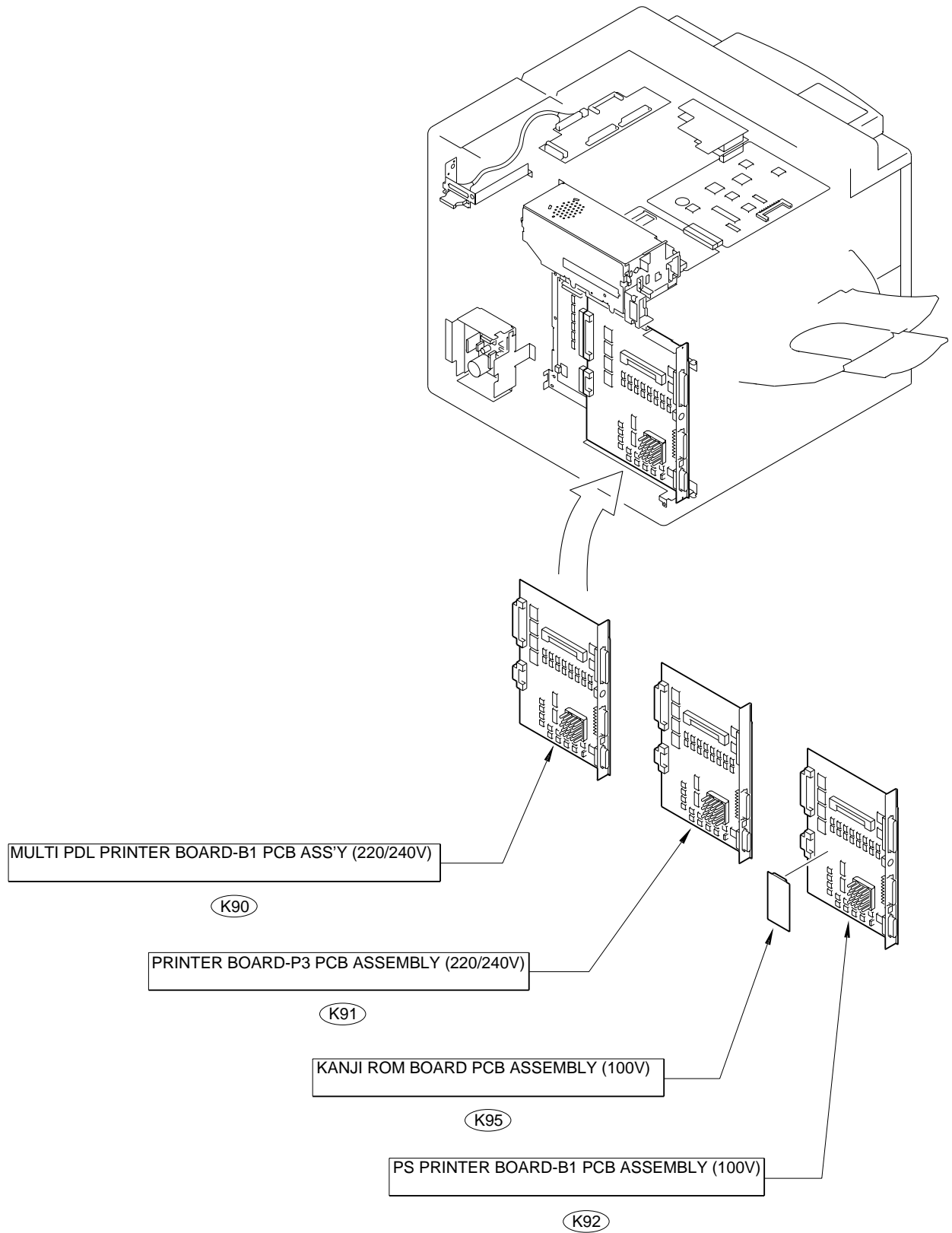
CONTENTS

- KA. ASSEMBLY LOCATION DIAGRAM

- K90. MULTI PDL PRINTER BOARD-B1 PCB ASSEMBLY
(220/240V)
- K91. PRINTER BOARD-P3 PCB ASSEMBLY (220/240V)
- K92. PS PRINTER BOARD-B1 PCB ASSEMBLY (100V)
- K95. KANJI ROM BOARD PCB ASSEMBLY (100V)

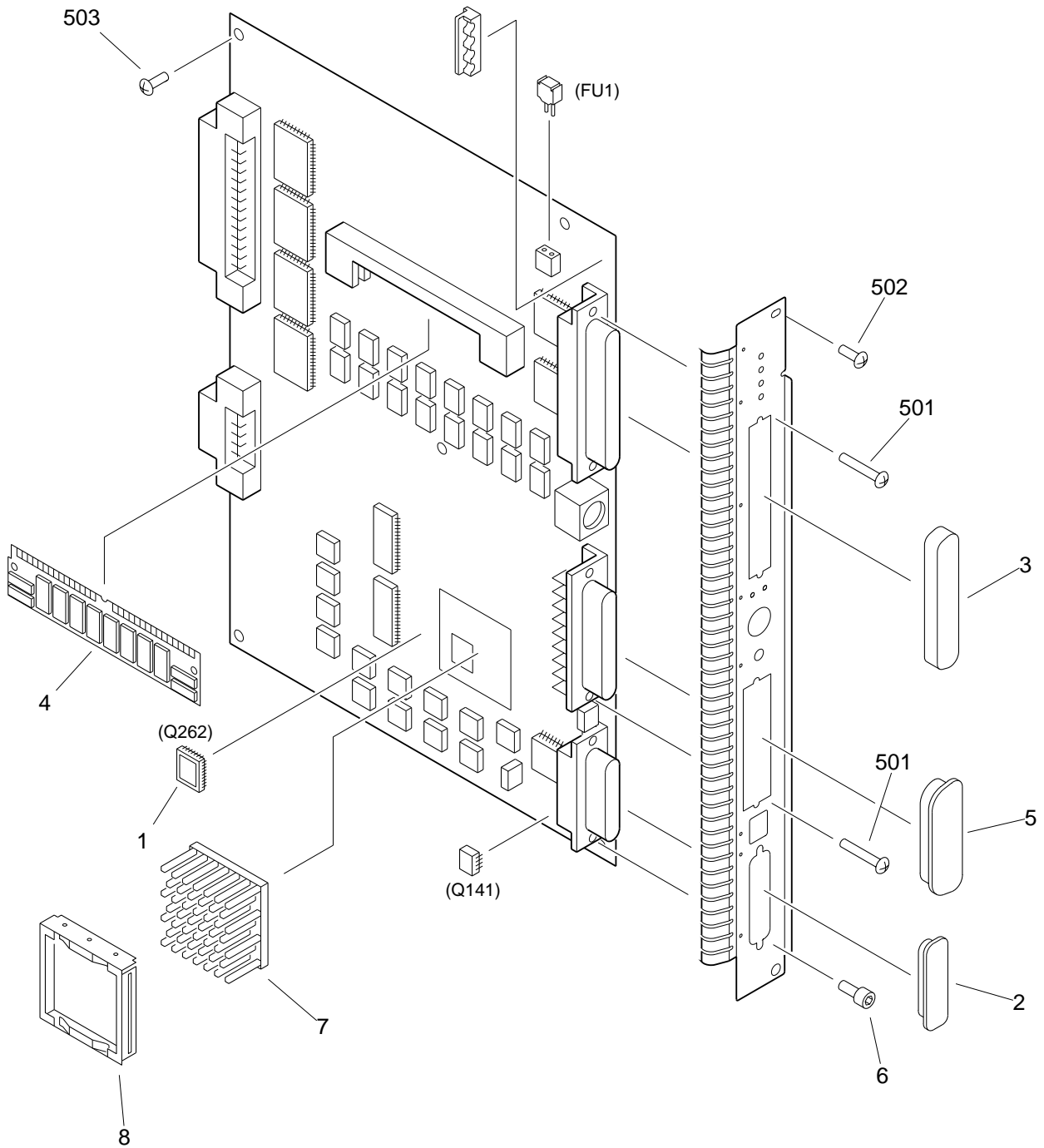
- D10. NUMERICAL INDEX

FIGURE KA ASSEMBLY LOCATION DIAGRAM



MULTI PDL PRINTER BOARD-B1 PCB ASSEMBLY (220/240V)

FIGURE K90

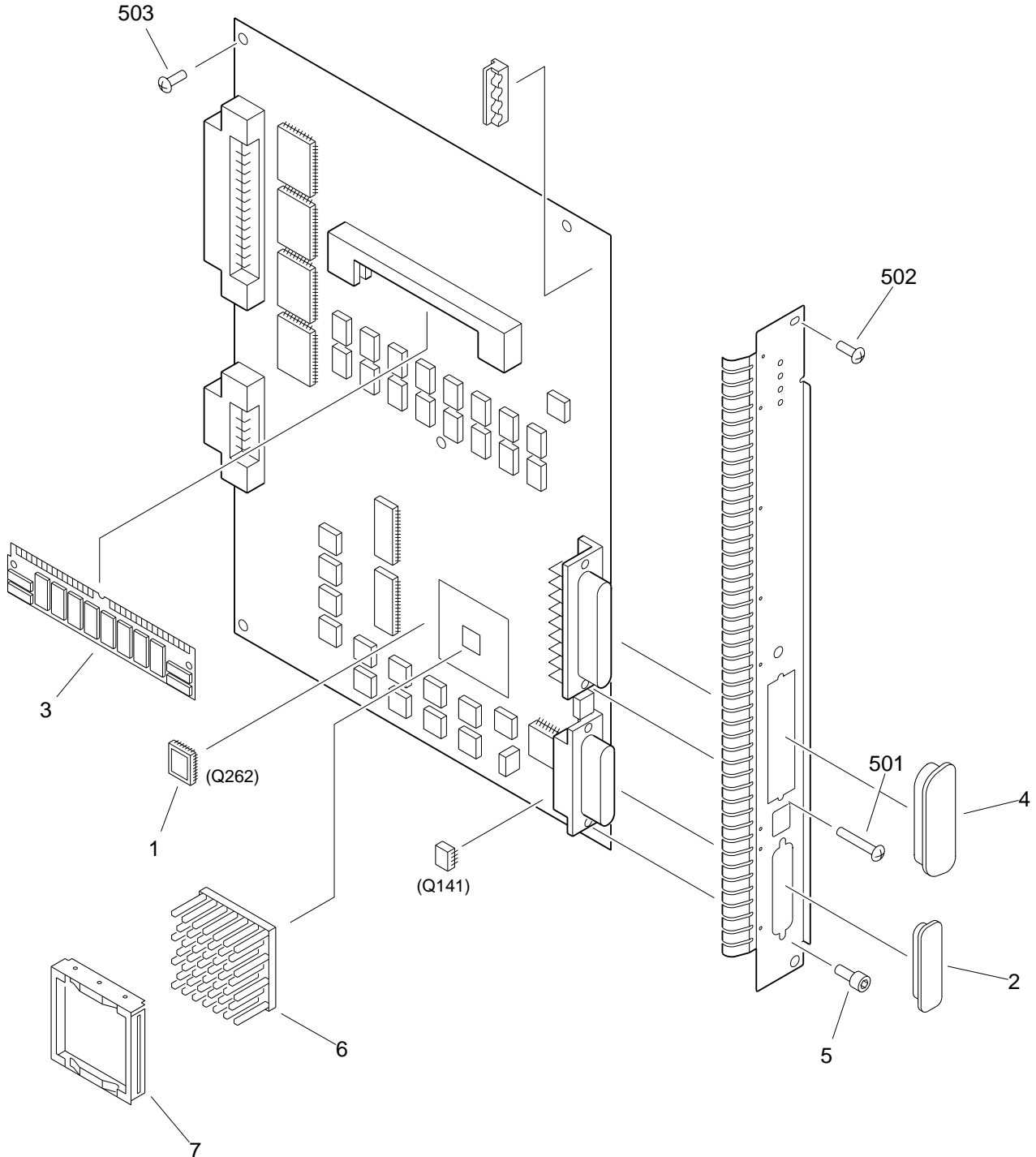


NOTE: This assembly does not include the parts shown with key No. 502 and 503.

FIGURE & KEY NO.	PART NUMBER	RANK	QTY	DESCRIPTION	SERIAL NUMBER / REMARKS
K90 -	FG5 - 9164 - 000		1	MULTI PDL BOARD-B1 PCB ASS'Y	220/240V
1	FF3 - 0520 - 000		1	IC, TMS27PC010A-15FML, EP-ROM	Q262
2	RA9 - 0637 - 000		1	CAP, DUST	
3	VS9 - 0033 - 050		1	CAP, DUST	
4	WA3 - 8311 - 000		1	IC, MH2M32BDJ-7, DIMM	
5	WS9 - 0104 - 000		1	CAP, DUST	
6	WS9 - 0239 - 000		2	NUT,HEX,M3X7.8 (INCH)	
7	WT2 - 5487 - 000		1	HEATSINK	
8	WT2 - 5488 - 000		1	HOLDER, HEATSINK	
501	XB1 - 1301 - 007		4	SCREW,MACH.,PAN HEAD,M3X10	
502	XB2 - 7300 - 607		3	SCREW,W/WASHER,M3X6	SEE NOTE
503	XB6 - 7300 - 607		5	SCREW,TP,M3X6	SEE NOTE
FU1	VD5 - 0222 - 001		1	FUSE, LM20	
	WD9 - 0044 - 000		1	HOLDER, FUSE	
LED1	WG1 - 5251 - 000		1	LED, MPY4361F	
LED3	WG1 - 5251 - 000		1	LED, MPY4361F	
LED4	WG1 - 5251 - 000		1	LED, MPY4361F	
LED5	WG1 - 5251 - 000		1	LED, MPY4361F	
LED6	WG1 - 5229 - 000		1	LED, MVR4361F	
Q 68	FH4 - 5871 - 000		1	IC, PALCE16V8H-10JC/4, C-MOS	
Q110	FH4 - 5753 - 000		1	IC, PALCE20V8H-7JC/5, C-MOS	
Q111	FH4 - 5754 - 000		1	IC, PALCE20V8H-7JC/5, C-MOS	
Q112	FH4 - 5875 - 000		1	IC, PALCE20V8H-5JC/5, C-MOS	
Q113	FH4 - 5756 - 000		1	IC, PALCE20V8H-7JC/5, C-MOS	
Q130	FH4 - 5873 - 000		1	IC, PALCE20V8H-5JC/5, C-MOS	
Q131	FH4 - 5758 - 000		1	IC, PALCE16V8H-10JC/4, C-MOS	
Q132	FH4 - 5872 - 000		1	IC, PALCE20V8H-10JC/4, C-MOS	
Q138	FH4 - 5760 - 000		1	IC, PALCE20V8H-10JC/4, C-MOS	
Q141	WA3 - 6695 - 000		1	IC, NM93056N, EP-ROM	
Q164	FH4 - 5761 - 000		1	IC, PALCE20V8H-7JC/5, C-MOS	

FIGURE & KEY NO.	PART NUMBER	RANK	QTY	DESCRIPTION	SERIAL NUMBER / REMARKS
K90 - Q165	FH4 - 5762 - 000		1	IC, PALCE16V8H-10JC/4, C-MOS	
Q174	FH4 - 5763 - 000		1	IC, PALCE16V8H-10JC/4, C-MOS	
Q208	FH4 - 5764 - 000		1	IC, PALCE16V8H-10JC/4, C-MOS	
Q209	FH4 - 5765 - 000		1	IC, PALCE16V8H-10JC/4, C-MOS	
Q222	FH4 - 5766 - 000		1	IC, PALCE16V8H-10JC/4, C-MOS	
Q223	FH4 - 5767 - 000		1	IC, PALCE16V8H-10JC/4, C-MOS	
Q240	FH4 - 1310 - 000		1	IC, SC87C51CGA44, M-CON	
Q260	FH4 - 3684 - 000		1	IC, TC5316210CF-E311, MASK-ROM	
Q261	FH4 - 3685 - 000		1	IC, TC5316210CF-E312, MASK-ROM	

FIGURE K91 PRINTER BOARD-P3 PCB ASSEMBLY (220/240V)

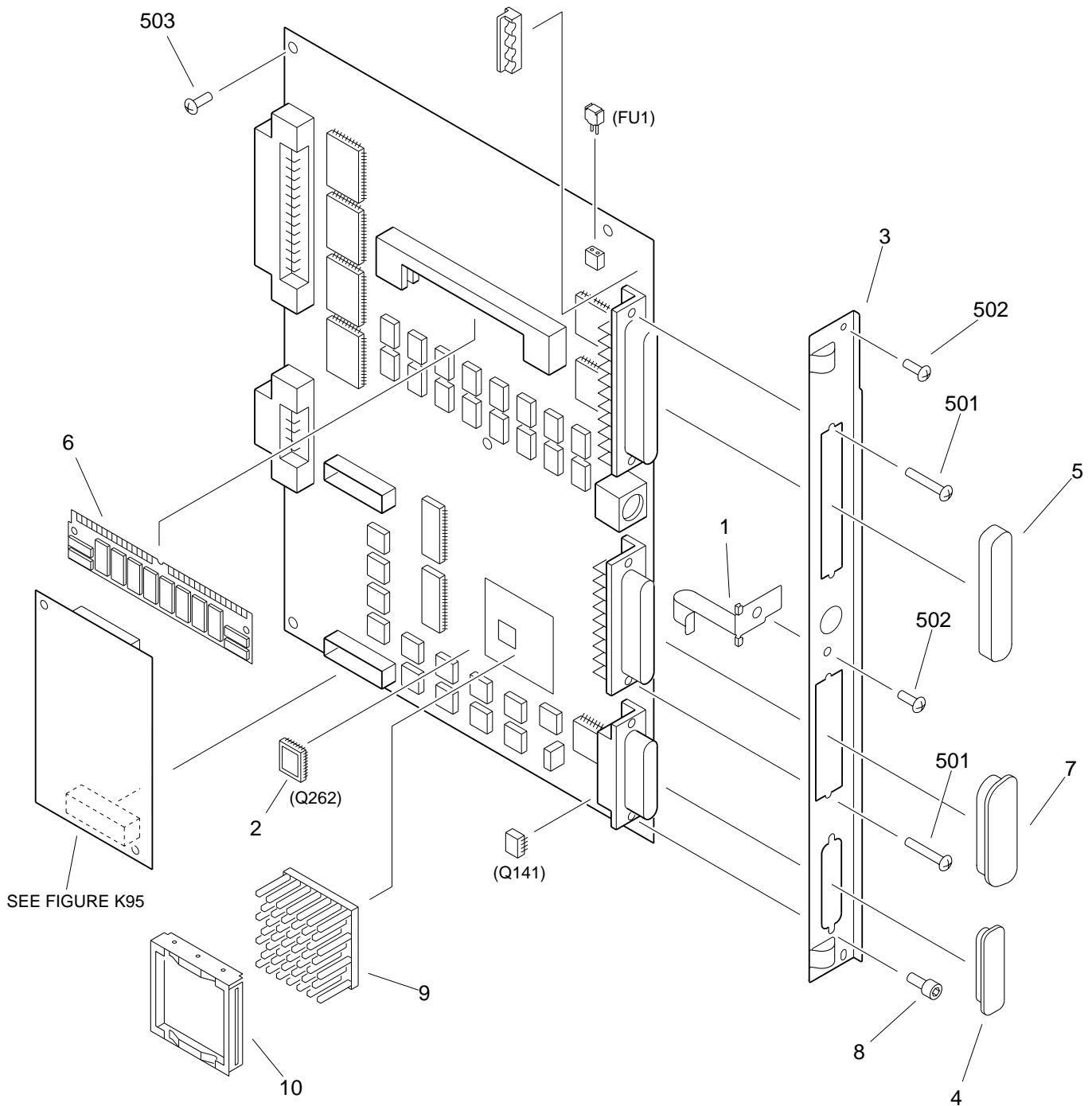


NOTE: This assembly does not include the parts shown with key No. 502 and 503.

FIGURE & KEY NO.	PART NUMBER	RANK	QTY	DESCRIPTION	SERIAL NUMBER / REMARKS
K91 -	FG5 - 8696 - 000		1	PCL5e BOARD PCB ASSEMBLY	220/240V
1	FF3 - 0520 - 000		1	IC, TMS27PC010A-15FML, EP-ROM	Q262
2	RA9 - 0637 - 000		1	CAP, DUST	
3	WA3 - 8311 - 000		1	IC, MH2M32BDJ-7, DIMM	
4	WS9 - 0104 - 000		1	CAP, DUST	
5	WS9 - 0239 - 000		2	NUT,HEX,M3X7.8 (INCH)	
6	WT2 - 5487 - 000		1	HEATSINK	
7	WT2 - 5488 - 000		1	HOLDER, HEATSINK	
501	XB1 - 1301 - 007		2	SCREW,MACH.,PAN HEAD,M3X10	
502	XB2 - 7300 - 607		3	SCREW,W/WASHER,M3X6	SEE NOTE
503	XB6 - 7300 - 607		5	SCREW,TP,M3X6	SEE NOTE
LED1	WG1 - 5251 - 000		1	LED, MPY4361F	
LED3	WG1 - 5251 - 000		1	LED, MPY4361F	
LED4	WG1 - 5251 - 000		1	LED, MPY4361F	
LED5	WG1 - 5251 - 000		1	LED, MPY4361F	
LED6	WG1 - 5229 - 000		1	LED, MVR4361F	
Q 68	FH4 - 5871 - 000		1	IC, PALCE16V8H-10JC/4, C-MOS	
Q110	FH4 - 5753 - 000		1	IC, PALCE20V8H-7JC/5, C-MOS	
Q111	FH4 - 5754 - 000		1	IC, PALCE20V8H-7JC/5, C-MOS	
Q112	FH4 - 5875 - 000		1	IC, PALCE20V8H-5JC/5, C-MOS	
Q113	FH4 - 5756 - 000		1	IC, PALCE20V8H-7JC/5, C-MOS	
Q130	FH4 - 5873 - 000		1	IC, PALCE20V8H-5JC/5, C-MOS	
Q131	FH4 - 5758 - 000		1	IC, PALCE16V8H-10JC/4, C-MOS	
Q132	FH4 - 5872 - 000		1	IC, PALCE20V8H-10JC/4, C-MOS	
Q138	FH4 - 5760 - 000		1	IC, PALCE20V8H-10JC/4, C-MOS	
Q141	WA3 - 6695 - 000		1	IC, NM93056N, EP-ROM	
Q164	FH4 - 5761 - 000		1	IC, PALCE20V8H-7JC/5, C-MOS	
Q165	FH4 - 5762 - 000		1	IC, PALCE16V8H-10JC/4, C-MOS	
Q174	FH4 - 5763 - 000		1	IC, PALCE16V8H-10JC/4, C-MOS	
Q208	FH4 - 5764 - 000		1	IC, PALCE16V8H-10JC/4, C-MOS	

FIGURE & KEY NO.	PART NUMBER	RANK	QTY	DESCRIPTION	SERIAL NUMBER / REMARKS
K91 - Q2 0 9	FH4 - 5765 - 000		1	IC, PALCE16V8H-10JC/4, C-MOS	
Q2 2 2	FH4 - 5766 - 000		1	IC, PALCE16V8H-10JC/4, C-MOS	
Q2 2 3	FH4 - 5767 - 000		1	IC, PALCE16V8H-10JC/4, C-MOS	
Q2 6 0	FH4 - 3684 - 000		1	IC, TC5316210CF-E311, MASK-ROM	
Q2 6 1	FH4 - 3685 - 000		1	IC, TC5316210CF-E312, MASK-ROM	

FIGURE K92 PS PRINTER BOARD-B1 PCB ASSEMBLY (100V)

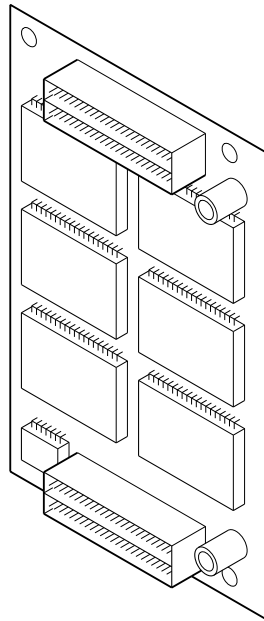


NOTE 1: This assembly includes the assembly shown in Figure K95.
 NOTE 2: This assembly does not include the parts shown with key No. 1, 502 and 503.

FIGURE & KEY NO.	PART NUMBER	RANK	QTY	DESCRIPTION	SERIAL NUMBER / REMARKS
K92 -	FG5 - 8697 - 000		1	PS/KANJI BOARD PCB ASSEMBLY	SEE NOTE 1 100V
1	FB3 - 2379 - 000		1	PLATE, GROUNDING	SEE NOTE 2
2	FF3 - 0520 - 000		1	IC, TMS27PC010A-15FML, EP-ROM	Q262
3	FF5 - 4600 - 000		1	PLATE, BLANKING	
4	RA9 - 0637 - 000		1	CAP, DUST	
5	VS9 - 0033 - 050		1	CAP, DUST	
6	WA3 - 8311 - 000		1	IC, MH2M32BDJ-7, DIMM	
7	WS9 - 0104 - 000		1	CAP, DUST	
8	WS9 - 0239 - 000		2	NUT,HEX,M3X7.8 (INCH)	
9	WT2 - 5487 - 000		1	HEATSINK	
10	WT2 - 5488 - 000		1	HOLDER, HEATSINK	
501	XB1 - 1301 - 007		4	SCREW,MACH.,PAN HEAD,M3X10	
502	XB2 - 7300 - 607		3	SCREW,W/WASHER,M3X6	SEE NOTE 2
503	XB6 - 7300 - 607		5	SCREW,TP,M3X6	SEE NOTE 2
FU1	VD5 - 0222 - 001		1	FUSE, LM20	
	WD9 - 0044 - 000		1	HOLDER, FUSE	
LED1	WG1 - 5251 - 000		1	LED, MPY4361F	
LED3	WG1 - 5251 - 000		1	LED, MPY4361F	
LED4	WG1 - 5251 - 000		1	LED, MPY4361F	
LED5	WG1 - 5251 - 000		1	LED, MPY4361F	
LED6	WG1 - 5229 - 000		1	LED, MVR4361F	
Q 68	FH4 - 5871 - 000		1	IC, PALCE16V8H-10JC/4, C-MOS	
Q110	FH4 - 5753 - 000		1	IC, PALCE20V8H-7JC/5, C-MOS	
Q111	FH4 - 5754 - 000		1	IC, PALCE20V8H-7JC/5, C-MOS	
Q112	FH4 - 5875 - 000		1	IC, PALCE20V8H-5JC/5, C-MOS	
Q113	FH4 - 5756 - 000		1	IC, PALCE20V8H-7JC/5, C-MOS	
Q130	FH4 - 5873 - 000		1	IC, PALCE20V8H-5JC/5, C-MOS	
Q131	FH4 - 5758 - 000		1	IC, PALCE16V8H-10JC/4, C-MOS	
Q132	FH4 - 5872 - 000		1	IC, PALCE20V8H-10JC/4, C-MOS	
Q138	FH4 - 5760 - 000		1	IC, PALCE20V8H-10JC/4, C-MOS	

FIGURE & KEY NO.	PART NUMBER	R A N K	Q' T Y	DESCRIPTION	SERIAL NUMBER / REMARKS
K92 - Q141	WA3 - 6695 - 000		1	IC, NM93056N, EP-ROM	
Q164	FH4 - 5761 - 000		1	IC, PALCE20V8H-7JC/5, C-MOS	
Q165	FH4 - 5762 - 000		1	IC, PALCE16V8H-10JC/4, C-MOS	
Q174	FH4 - 5763 - 000		1	IC, PALCE16V8H-10JC/4, C-MOS	
Q208	FH4 - 5764 - 000		1	IC, PALCE16V8H-10JC/4, C-MOS	
Q209	FH4 - 5765 - 000		1	IC, PALCE16V8H-10JC/4, C-MOS	
Q222	FH4 - 5766 - 000		1	IC, PALCE16V8H-10JC/4, C-MOS	
Q223	FH4 - 5767 - 000		1	IC, PALCE16V8H-10JC/4, C-MOS	
Q240	FH4 - 1310 - 000		1	IC, SC87C51CGA44, M-CON	

FIGURE K95 KANJI ROM BOARD PCB ASSEMBLY (100V)



NOTE: This assembly is included in the assembly shown in Figure K92.

FIGURE & KEY NO.	PART NUMBER	RANK	QTY	DESCRIPTION	SERIAL NUMBER / REMARKS
K95 -	FG5 - 6001 - 000		1	KANJI ROM BOARD PCB ASSEMBLY	SEE NOTE 100V
Q30	FH4 - 3589 - 000		1	IC, TC5316210CF-E313, MASK-ROM	
Q31	FH4 - 3590 - 000		1	IC, TC5316210CF-E314, MASK-ROM	
Q32	FH4 - 3591 - 000		1	IC, TC5316210CF-E315, MASK-ROM	
Q33	FH4 - 3592 - 000		1	IC, TC5316210CF-E316, MASK-ROM	
Q34	FH4 - 3593 - 000		1	IC, TC5316210CF-E317, MASK-ROM	
Q35	FH4 - 3594 - 000		1	IC, TC5316210CF-E318, MASK-ROM	

Envelope Feeder Attachment

Envelope Feeder Attachment

100V	F24-3633
120/220/240V	F24-3643

CONTENTS

- LA. ASSEMBLY LOCATION DIAGRAM
- L10. ENVELOPE FEEDER ATTACHMENT
- D11. NUMERICAL INDEX

FIGURE LA ASSEMBLY LOCATION DIAGRAM

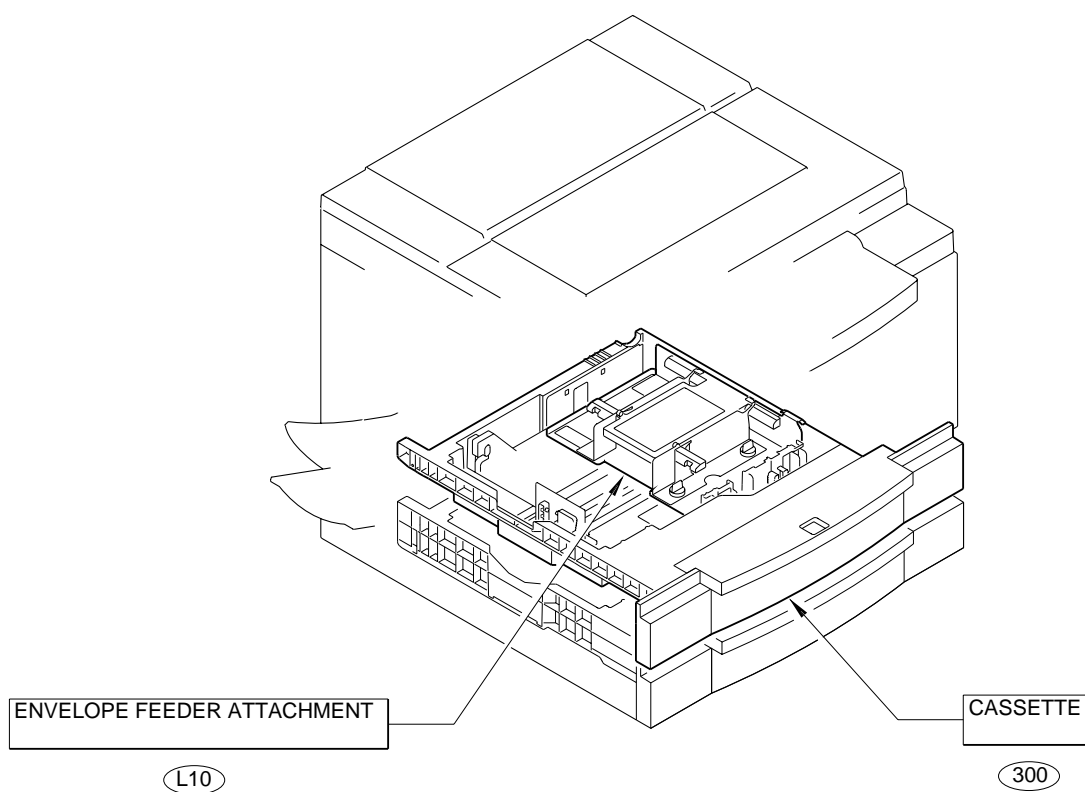


FIGURE L10 ENVELOPE FEEDER ATTACHMENT

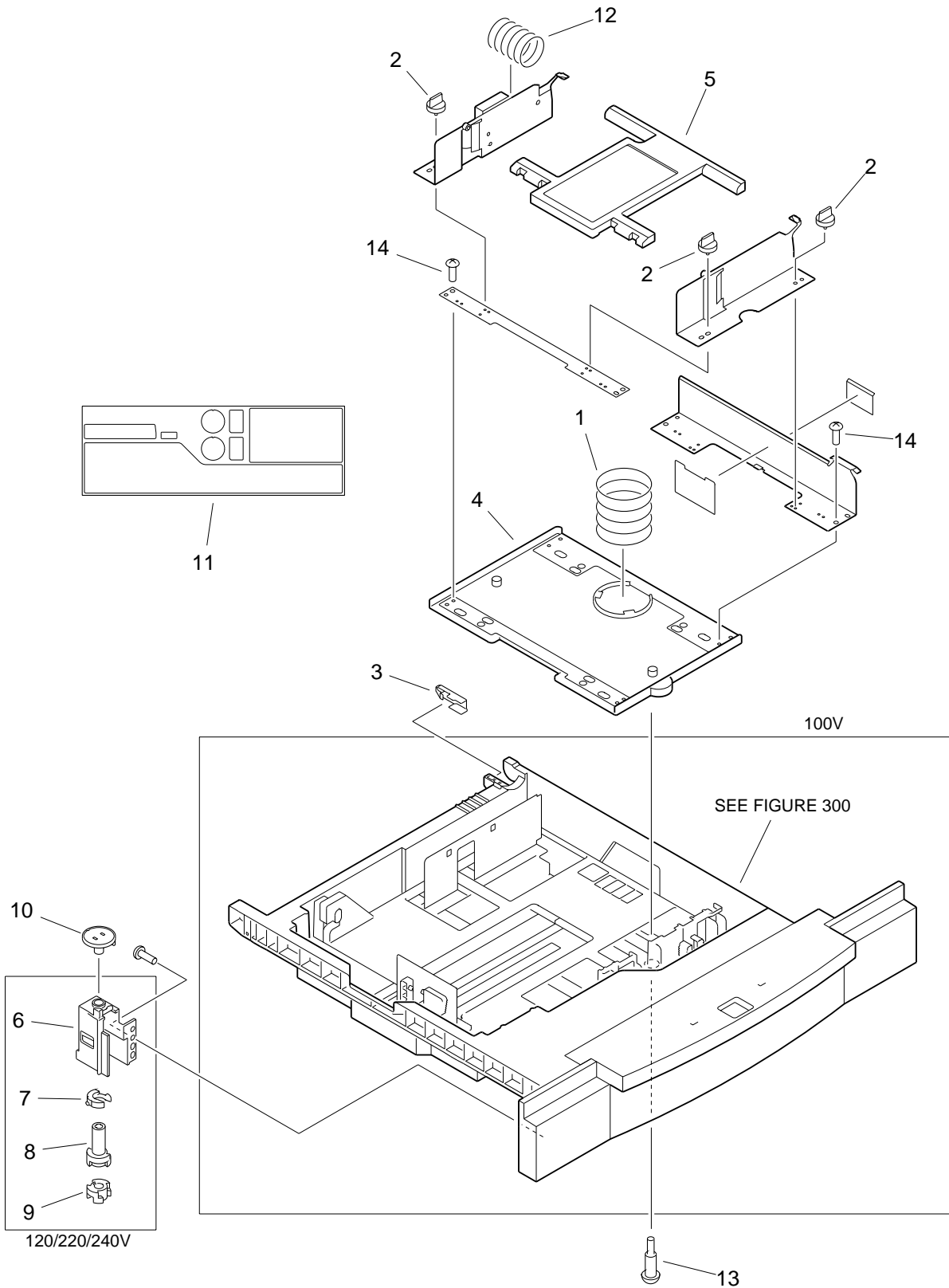


FIGURE & KEY NO.	PART NUMBER	R A N K	Q' T Y	DESCRIPTION	SERIAL NUMBER / REMARKS
L10 -	NPN		RF	ENVELOPE FEEDER ATTACHMENT	
1	FB3 - 2903 - 000		1	SPRING, COMPRESSION, GREEN	MONARCH,COM10,
	FB3 - 2916 - 000		1	SPRING, COMPRESSION, RED	B5,C5
2	FB3 - 2908 - 000		4	SCREW, KNOB	
3	FB3 - 2911 - 000		1	HOLDER, LIFTER STOP	
4	FB3 - 2912 - 000		1	BASE PLATE, ENVELOPE FEEDER, 1	
5	FB3 - 2915 - 000		1	PLATE, PAPER LIFTING	
6	FB3 - 2940 - 000		1	HINGE, CAM	120/220/240V
7	FB3 - 2941 - 000		1	CAM, SIZE SENSOR, 1	120/220/240V
8	FB3 - 2942 - 000		1	CAM, SIZE SENSOR, 2	120/220/240V
9	FB3 - 2943 - 000		1	CAM, SIZE SENSOR, 3	120/220/240V
10	FB3 - 2957 - 000		1	KNOB, ENVELOPE SIZE SENSOR	
11	FB3 - 2958 - 000		1	LABEL, ENVELOPE FEEDER	
12	FB3 - 2966 - 000		1	SPRING, COMPRESSION	
13	FS1 - 9200 - 000		2	SCREW, STEPPED, M3	
14	XA9 - 0929 - 000		4	SCREW,TP,M4X7	

Image Creation Board-B1

Image Creation Board-B1

100/120V

F61-6564

220/240V

F61-6582

CONTENTS

- MA. ASSEMBLY LOCATION DIAGRAM**

- M10. IMAGE CREATION BOARD KIT ASSEMBLY**

- M90. IMAGE EDITING BOARD X PCB ASSEMBLY**
- M91. IMAGE EDITING BOARD Y PCB ASSEMBLY**

- D12. NUMERICAL INDEX**

FIGURE MA ASSEMBLY LOCATION DIAGRAM

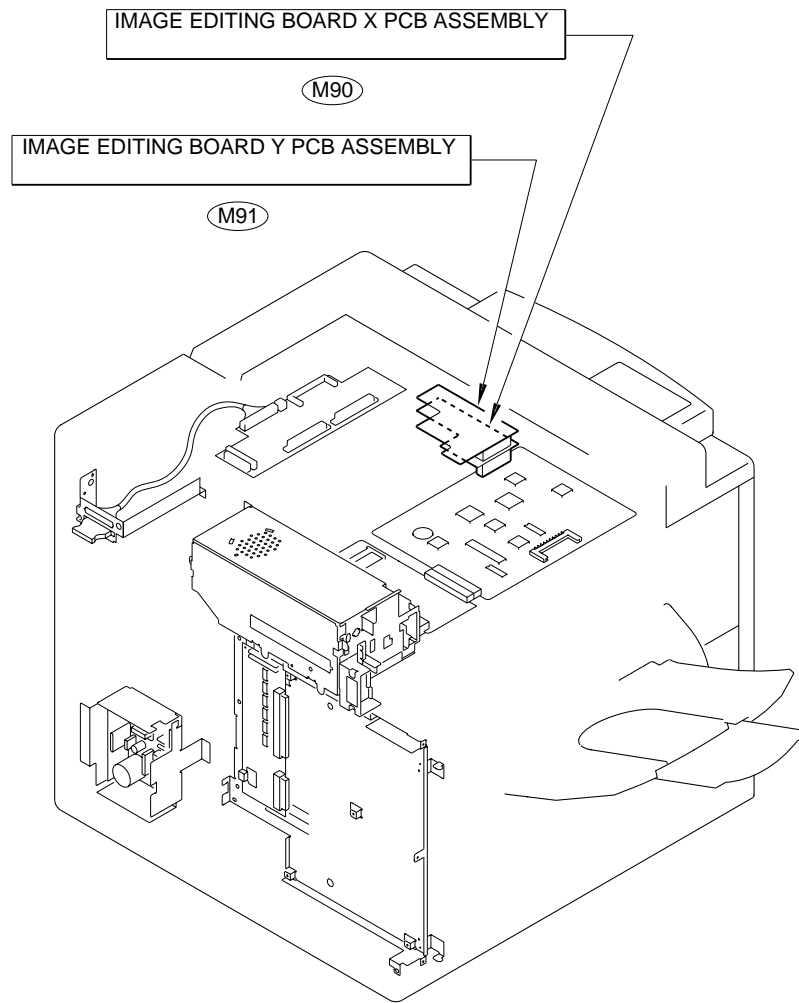
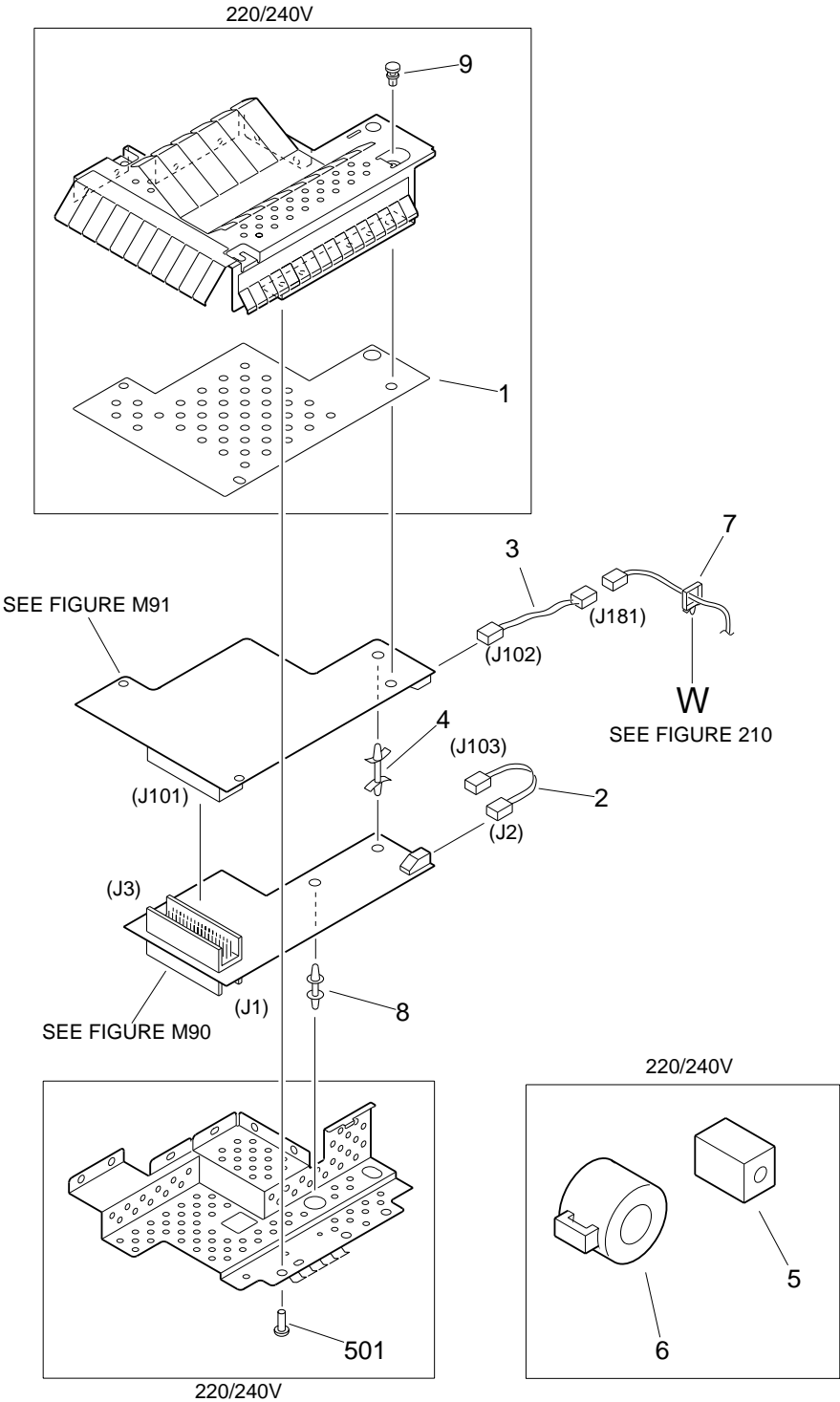


FIGURE M10 IMAGE CREATION BOARD KIT ASSEMBLY

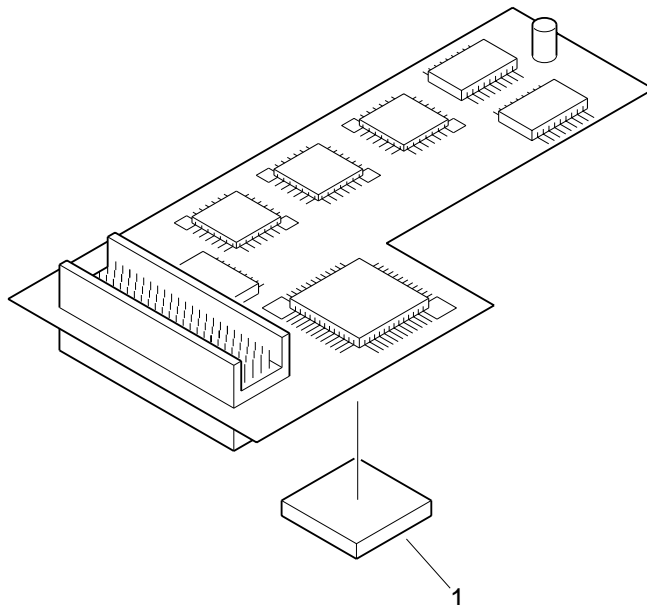


NOTE1: This assembly includes the assemblies shown in Figure M90 and M91.

NOTE2: This assembly does not include the parts shown with key No. 3, 5, 6, 7 and 8.

FIGURE & KEY NO.	PART NUMBER	RANK	QTY	DESCRIPTION	SERIAL NUMBER / REMARKS
M10 - 1 2	FG5 - 9398 - 000		1	IMAGE CREATION BOARD KIT ASS'Y	SEE NOTE 1 100/120V
	FG5 - 9399 - 000		1	IMAGE CREATION BOARD KIT ASS'Y	SEE NOTE 1 220/240V
	FB3 - 9957 - 000		1	SHEET, PROTECTIVE	220/240V
	FF3 - 1604 - 000		1	CABLE, CONNECTING	100/120V J2,103
	FF3 - 2406 - 000		1	CABLE, CONNECTING	220/240V J2,103
3	FF3 - 2285 - 000		1	CABLE, EXTENSION	SEE NOTE 2 J102,181
4	VT2 - 5155 - 009		1	SPACER, PCB	
5	WE8 - 5204 - 000		1	CORE, FERRITE	SEE NOTE 2 220/240V
6	WE8 - 5496 - 000		1	CORE, FERRITE	SEE NOTE 2 220/240V
7	WT2 - 0494 - 000		1	CLAMP, CABLE	SEE NOTE 2
8	WT2 - 5511 - 000		1	SPACER, PCB	SEE NOTE 2
9	WT2 - 5523 - 000		3	RIVET	220/240V
5 0 1	XB1 - 2300 - 406		9	SCREW,MACH.,TRUSS HEAD,M3X4	220/240V

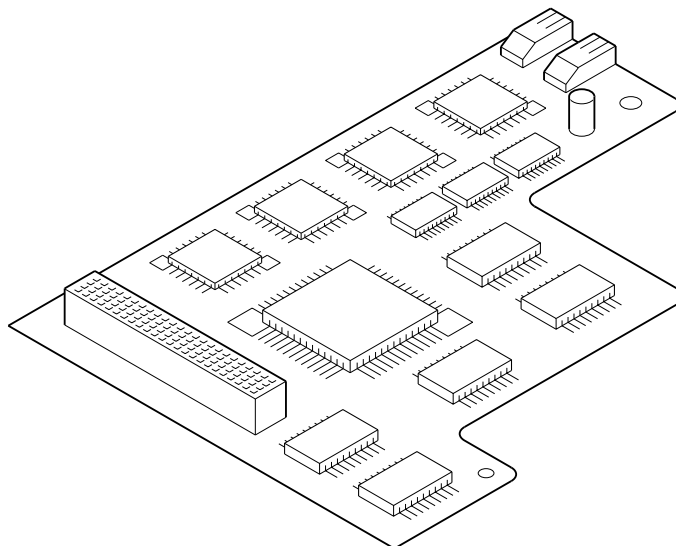
FIGURE M90 IMAGE EDITING BOARD X PCB ASSEMBLY



NOTE: This assembly is included in the assembly shown in Figure M10.

FIGURE & KEY NO.	PART NUMBER	RANK	QTY	DESCRIPTION	SERIAL NUMBER / REMARKS
M90 -	FG5 - 8282 - 000		1	IMAGE EDITING B. X PCB ASS'Y	SEE NOTE
1	FH5 - 6082 - 000		1	SHEET, HEATSINK	
I C2	FH4 - 5819 - 000		1	IC, UPD65647, GATE ARRAY	

FIGURE M91 IMAGE EDITING BOARD Y PCB ASSEMBLY



NOTE: This assembly is included in the assembly shown in Figure M10.

FIGURE & KEY NO.	PART NUMBER	RANK	QTY	DESCRIPTION	SERIAL NUMBER / REMARKS
M91 -	FG5 - 8283 - 000		1	IMAGE EDITING B. Y PCB ASS'Y	SEE NOTE
I C105	FH4 - 5818 - 000		1	IC, UPD93155GN-LMU, GATE ARRAY	

[100V F61-6532]

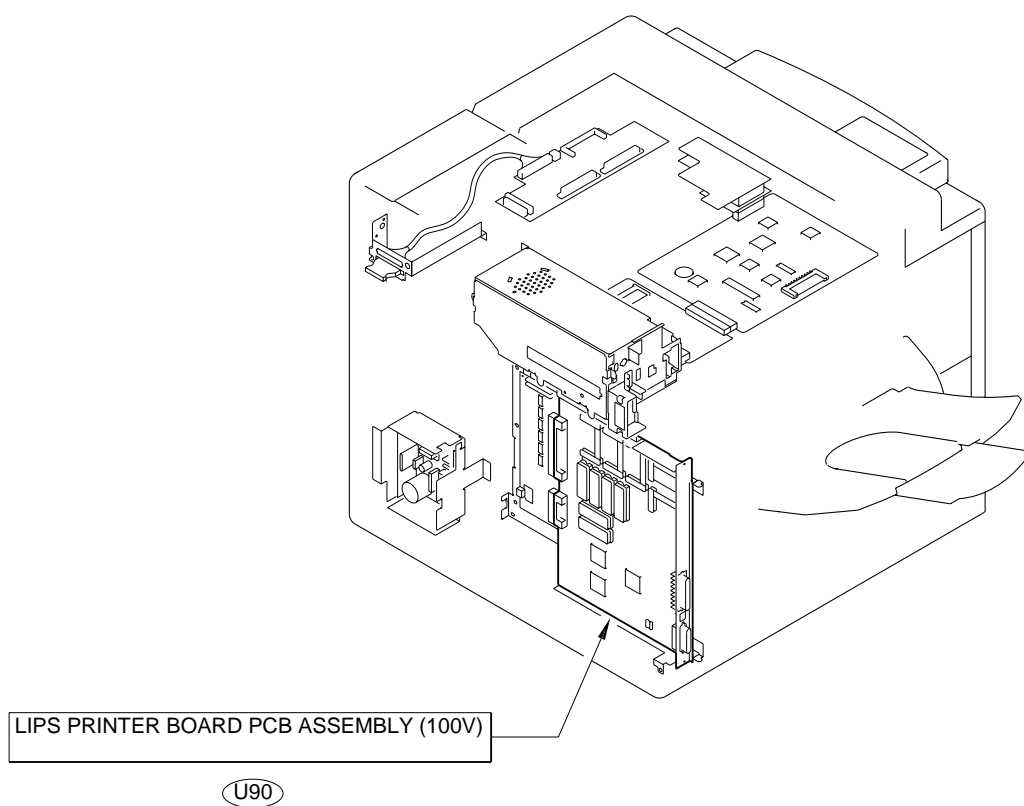
CONTENTS

- UA. ASSEMBLY LOCATION DIAGRAM

- U90. LIPS PRINTER BOARD-B1 PCB ASSEMBLY
(100V)

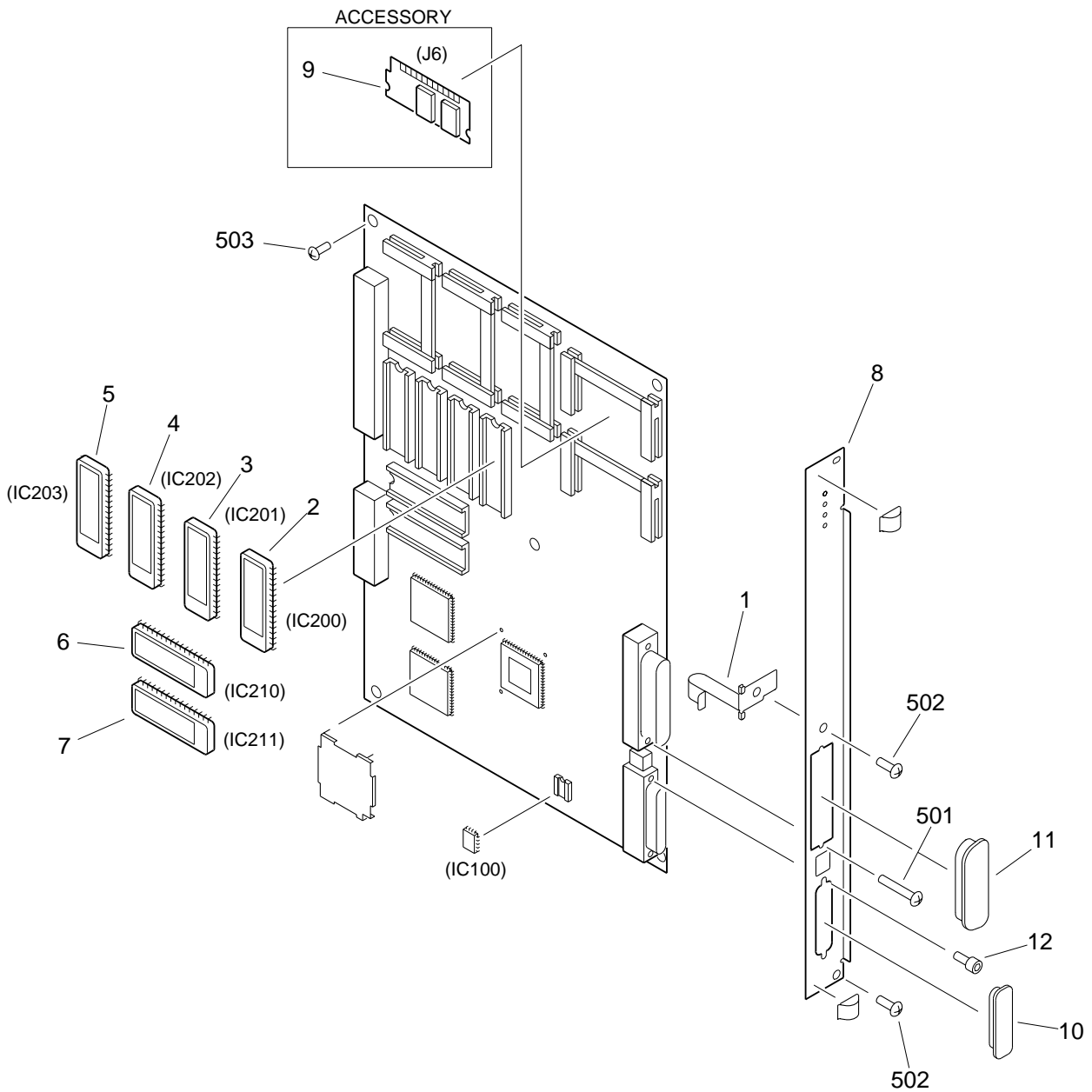
- D13. NUMERICAL INDEX

FIGURE UA ASSEMBLY LOCATION DIAGRAM



LIPS PRINTER BOARD-B1 PCB ASSEMBLY (100V)

FIGURE U90



NOTE: This assembly does not include the parts shown with key No. 1, 9, 502 and 503.

FIGURE & KEY NO.	PART NUMBER	RANK	QTY	DESCRIPTION	SERIAL NUMBER / REMARKS
U90 -	FG5 - 8703 - 040		1	LIPS PRINTER BOARD PCB ASS'Y	100V
1	FB3 - 2379 - 000		1	PLATE, GROUNDING	SEE NOTE
2	FF3 - 1570 - 090		1	IC, HN27C4000G-10, EP-ROM	IC200
3	FF3 - 1571 - 090		1	IC, HN27C4000G-10, EP-ROM	IC201
4	FF3 - 1572 - 090		1	IC, HN27C4000G-10, EP-ROM	IC202
5	FF3 - 1573 - 090		1	IC, HN27C4000G-10, EP-ROM	IC203
6	FF3 - 1574 - 090		1	IC, HN27C4000G-10, EP-ROM	IC210
7	FF3 - 1575 - 090		1	IC, HN27C4000G-10, EP-ROM	IC211
8	FF5 - 4597 - 000		1	PLATE, BLANKING	
9	FH6 - 3580 - 000		1	DIMM, MEMORY MODULE, 95368-001	SEE NOTE ACCESSORY J6
10	RA9 - 0637 - 000		1	CAP, DUST	
11	WS9 - 0104 - 000		1	CAP, DUST	
12	WS9 - 0139 - 000		2	SCREW, ALLEN HEAD (MM)	
501	XB1 - 1301 - 007		2	SCREW, MACH., PAN HEAD, M3X10	
502	XB2 - 7300 - 607		3	SCREW, W/WASHER, M3X6	SEE NOTE
503	XB6 - 7300 - 607		5	SCREW, TP, M3X6	SEE NOTE
IC 4	FH4 - 5839 - 000		1	IC, HG51BS239TB, GATE ARRAY	
IC100	WA3 - 8180 - 000		1	IC, CAT24C08P, EP-ROM	
IC150	FH4 - 5831 - 000		1	IC, TC160EA807AF11, GATE ARRAY	
IC220	RH4 - 3212 - 000		1	IC, KM23C32000AG-15-KFW3, ROM	
IC221	RH4 - 3213 - 000		1	IC, KM23C32000AG-15-KFW3, ROM	

Network Interface Board-E3

Network Interface Board-E3	
120V	F61-6513
220/240V	F61-6543

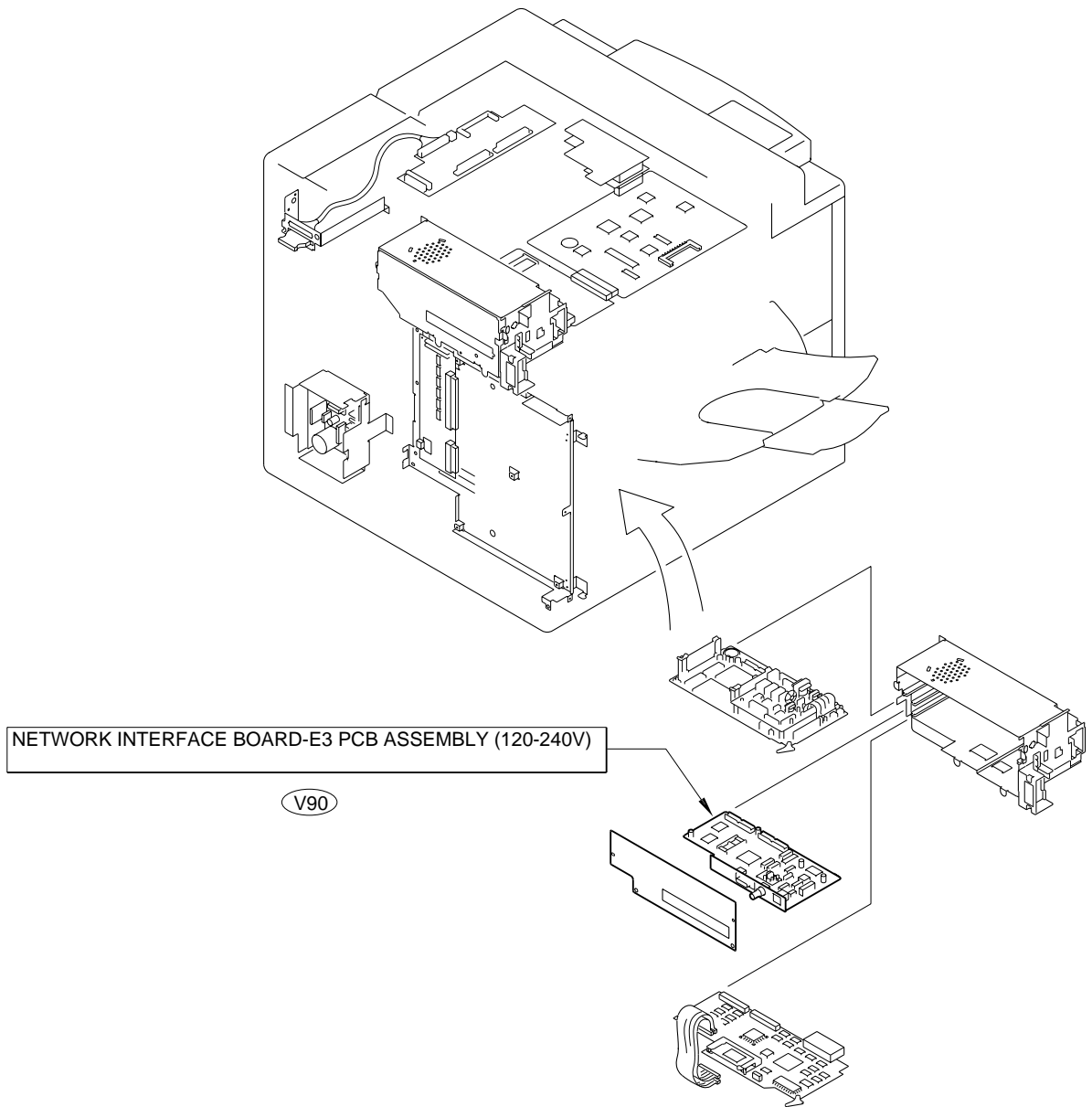
CONTENTS

- VA. ASSEMBLY LOCATION DIAGRAM

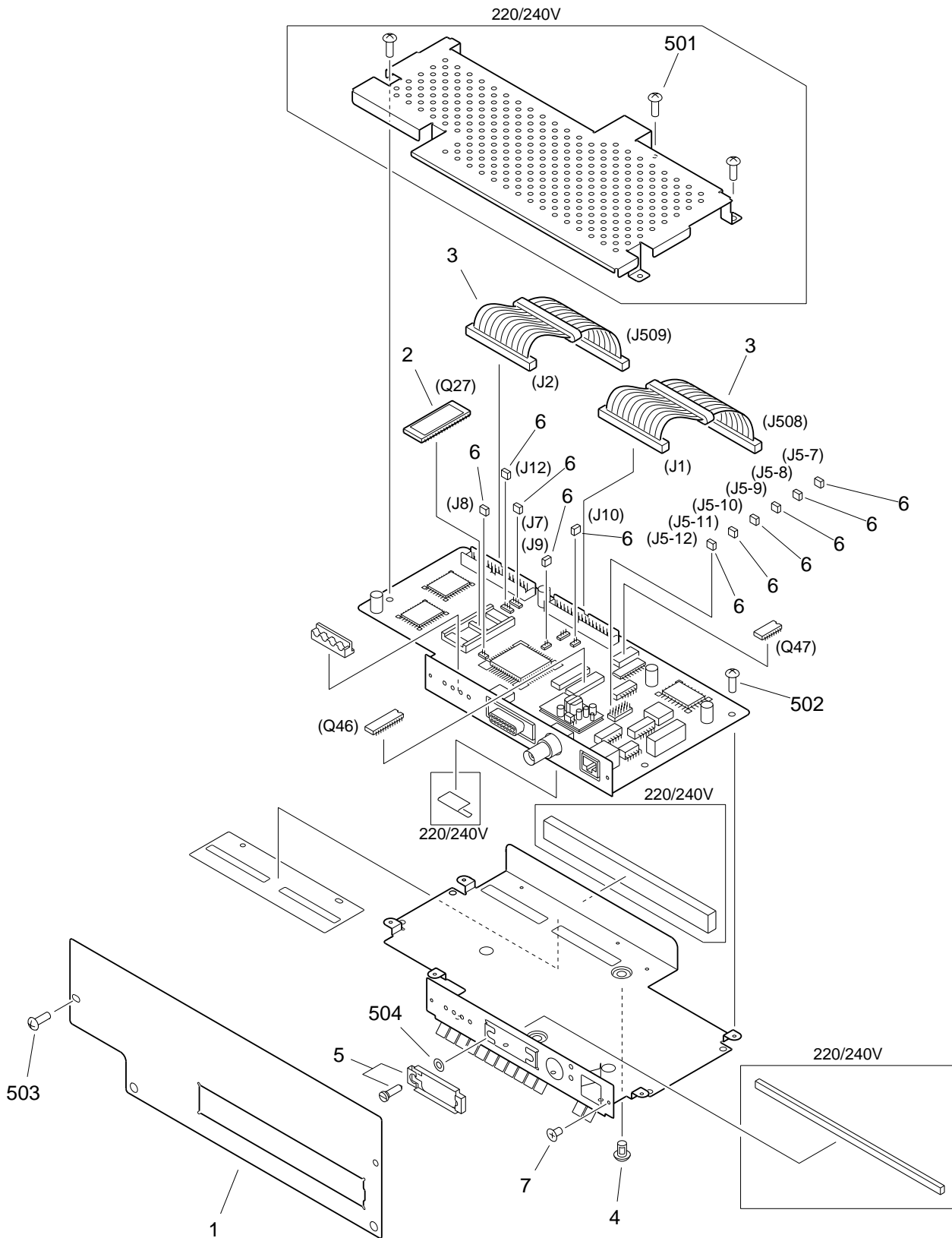
- V90. NETWORK INTERFACE BOARD-E3 PCB ASS'Y
(120/220/240V)

- D14. NUMERICAL INDEX

FIGURE VA ASSEMBLY LOCATION DIAGRAM



NETWORK INTERFACE BOARD-E3 PCB ASS'Y (120/220/240V)



NOTE: This assembly does not include the parts shown with key No. 1, 3, 7, 501 and 503.

FIGURE & KEY NO.	PART NUMBER	RANK	QTY	DESCRIPTION	SERIAL NUMBER / REMARKS
V90 -	FG5 - 6361 - 000		1	NIB-E3 PCB ASSEMBLY	120V
	FG5 - 9143 - 000		1	NIB-E3 PCB ASSEMBLY	220/240V
1	FB3 - 2371 - 000		1	PLATE, BLANKING	SEE NOTE
2	FF3 - 1085 - 000		1	IC, P28F020-150, FLASH-ROM	Q27
3	FH2 - 6354 - 000		2	CABLE, CONNECTING	SEE NOTE J1,508 J2,509
4	VT2 - 5027 - 005		2	SPACER, CARD	
5	WS9 - 5084 - 000		1	PLATE, SLIDE LOCK	
6	WT1 - 5412 - 000		11	CONNECTOR, CIRCUIT SHORT	
7	XA9 - 0679 - 000		2	SCREW,MACH.,FLAT HEAD,M3X4	SEE NOTE
501	XB1 - 2300 - 407		1	SCREW,MACH.,TRUSS HEAD,M3X4	SEE NOTE 220/240V
502	XB1 - 2300 - 607		5	SCREW,MACH.,TRUSS HEAD,M3X6	
503	XB2 - 7400 - 806		4	SCREW,W/WASHER,M4X8	SEE NOTE
504	XD1 - 2100 - 307		2	WASHER,PLAIN	
C 3	RH6 - 3121 - 000		1	CAPACITOR, 220UF, 10V	
C 74	RH6 - 3121 - 000		1	CAPACITOR, 220UF, 10V	
C 76	RH6 - 3121 - 000		1	CAPACITOR, 220UF, 10V	
C133	RH6 - 3121 - 000		1	CAPACITOR, 220UF, 10V	
DS1	WG1 - 5251 - 000		1	LED, MPY4361F	
DS2	WG1 - 5251 - 000		1	LED, MPY4361F	
DS3	WG1 - 5251 - 000		1	LED, MPY4361F	
DS4	WG1 - 5251 - 000		1	LED, MPY4361F	
FU1	WD1 - 0273 - 000		1	FUSE, ICP-N20	
Q 1	FH3 - 8081 - 000		1	IC, CE-0849, POWER SUPPLY	
Q26	FH4 - 5584 - 000		1	IC, TIBPAL20L8-10CNT/5584, PLA	
Q46	FH4 - 5887 - 000		1	IC, TIBPAL20L8-10CNT, PLD	
Q47	FH4 - 3682 - 000		1	IC, MB7112EM, EP-ROM	

Network Interface Board-E3e

Network Interface Board-E3e

120V	F61-6507
220/240V	F61-6527

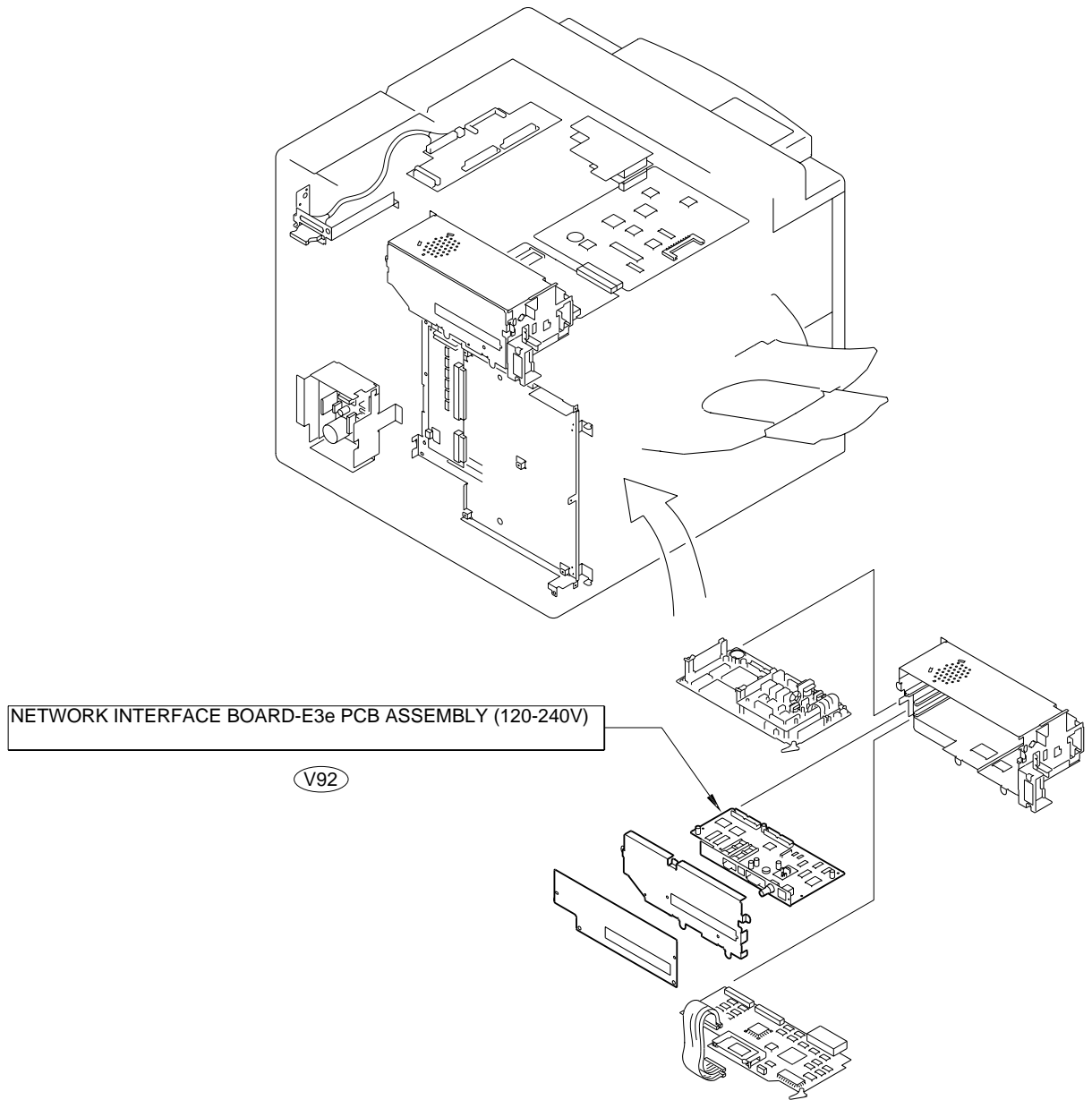
CONTENTS

- VA. ASSEMBLY LOCATION DIAGRAM

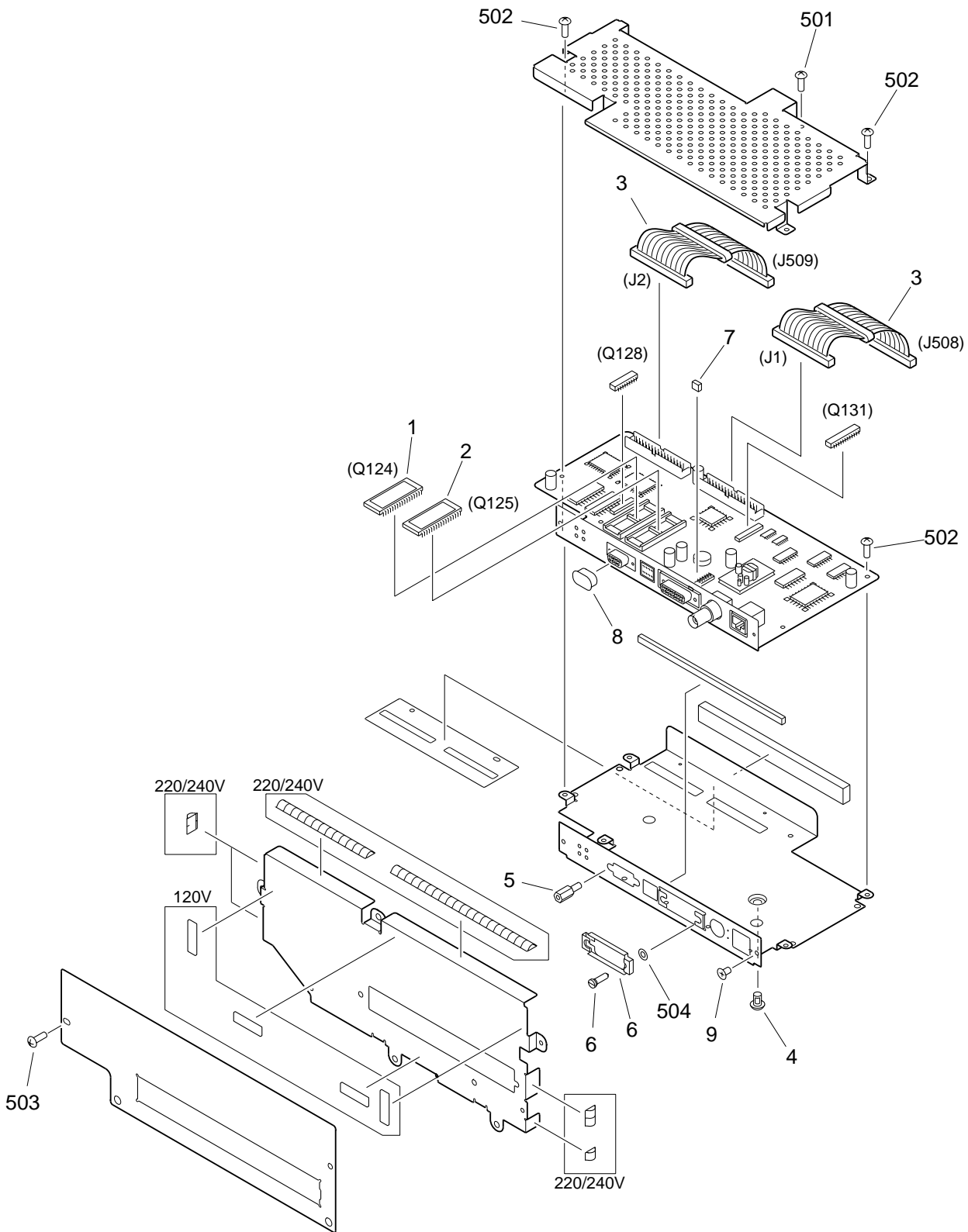
- V92. NETWORK INTERFACE BOARD-E3e PCB ASS'Y
(120/220/240V)

- D15. NUMERICAL INDEX

FIGURE VA ASSEMBLY LOCATION DIAGRAM



NETWORK INTERFACE BOARD-E3e PCB ASS'Y FIGURE V92 (120/220/240V)



NOTE: This assembly does not include the parts shown with key No. 3, 9, 501 and 503.

FIGURE & KEY NO.	PART NUMBER	RANK	QTY	DESCRIPTION	SERIAL NUMBER / REMARKS
V92 -	FG5 - 9239 - 000		1	NIB-E3e PCB ASSEMBLY	120V
	FG5 - 9238 - 000		1	NIB-E3e PCB ASSEMBLY	220/240V
1	FF3 - 2305 - 000		1	IC, AT29C040A-12PC, EP-ROM	Q124
2	FF3 - 2306 - 000		1	IC, AT29C040A-12PC, EP-ROM	Q125
3	FH2 - 6354 - 000		2	CABLE, CONNECTING	SEE NOTE J1,508 2,509
4	VT2 - 5027 - 005		1	SPACER, CARD	
5	WS9 - 0239 - 000		2	NUT,HEX,M3X7.8 (INCH)	
6	WS9 - 5084 - 000		1	PLATE, SLIDE LOCK	
7	WT1 - 5412 - 000		6	CONNECTOR, CIRCUIT SHORT	
8	WT2 - 5516 - 000		1	CAP, DUST	
9	XA9 - 0679 - 000		2	SCREW,MACH.,FLAT HEAD,M3X4	SEE NOTE
501	XB1 - 2300 - 407		1	SCREW,MACH.,TRUSS HEAD,M3X4	SEE NOTE
502	XB1 - 2300 - 607		5	SCREW,MACH.,TRUSS HEAD,M3X6	
503	XB2 - 7400 - 806		4	SCREW,W/WASHER,M4X8	SEE NOTE
504	XD1 - 2100 - 307		2	WASHER,PLAIN	
DS101	WG1 - 5511 - 000		1	LED, MPG4365S	
	WT2 - 5509 - 000		1	HOLDER, LED	
DS102	WG1 - 5510 - 000		1	LED, MPY4365S	
DS103	WG1 - 5511 - 000		1	LED, MPG4365S	
	WT2 - 5509 - 000		1	HOLDER, LED	
DS104	WG1 - 5510 - 000		1	LED, MPY4365S	
FU101	WD1 - 0273 - 000		1	FUSE, ICP-N20	
Q128	FH4 - 3694 - 000		1	IC, AM27S19APC, BIPOLAR	
Q131	FH4 - 5888 - 000		1	IC, GAL22V10B-10LP, PLD	
Q147	FH3 - 8081 - 000		1	IC, CE-0849, POWER SUPPLY	

Network Interface Board-TR3

Network Interface Board-TR3

120V	F61-6533
220/240V	F61-6553

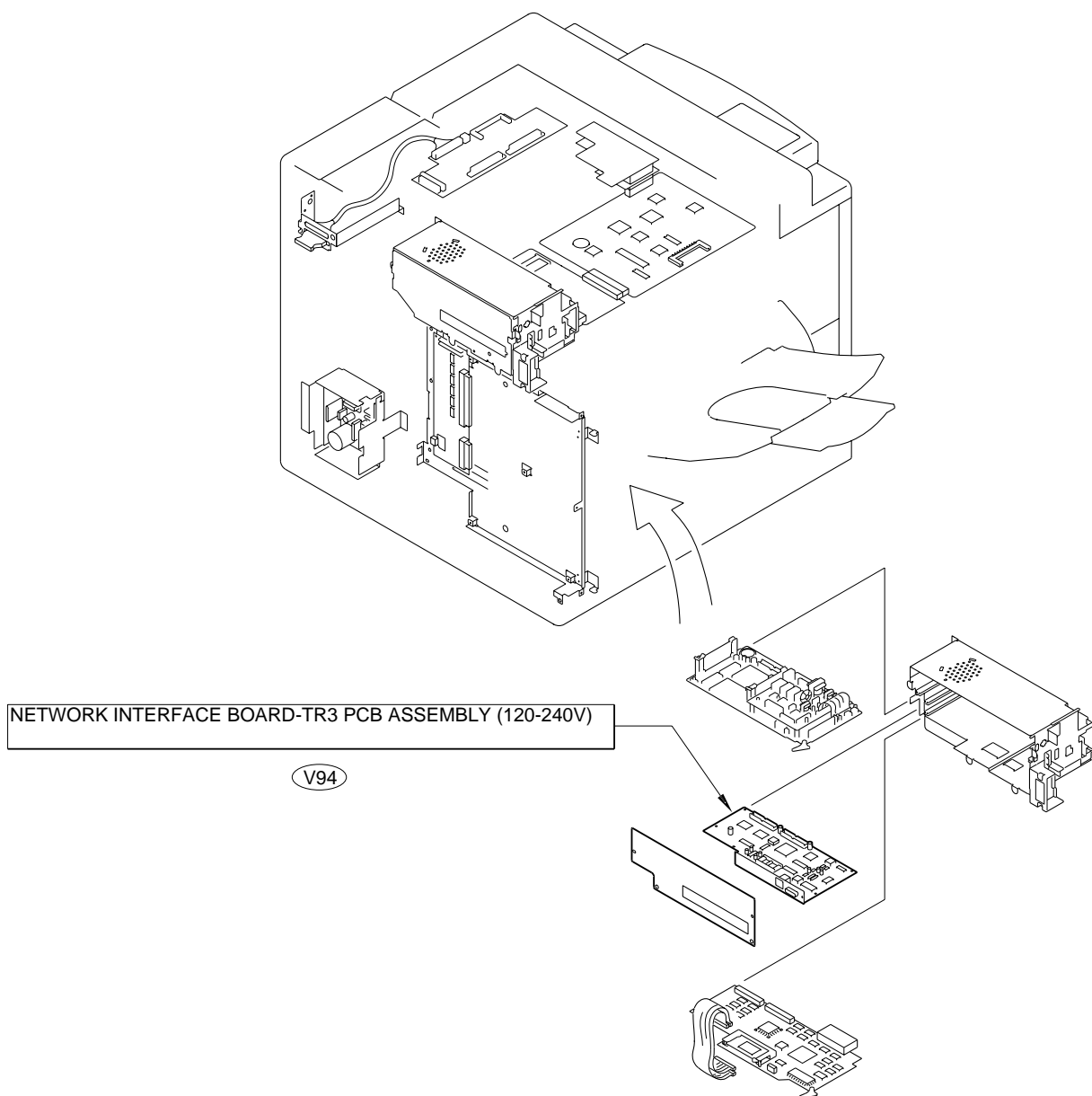
CONTENTS

- VA. ASSEMBLY LOCATION DIAGRAM

- V94. NETWORK INTERFACE BOARD-TR3 PCB ASS'Y
(120/220/240V)

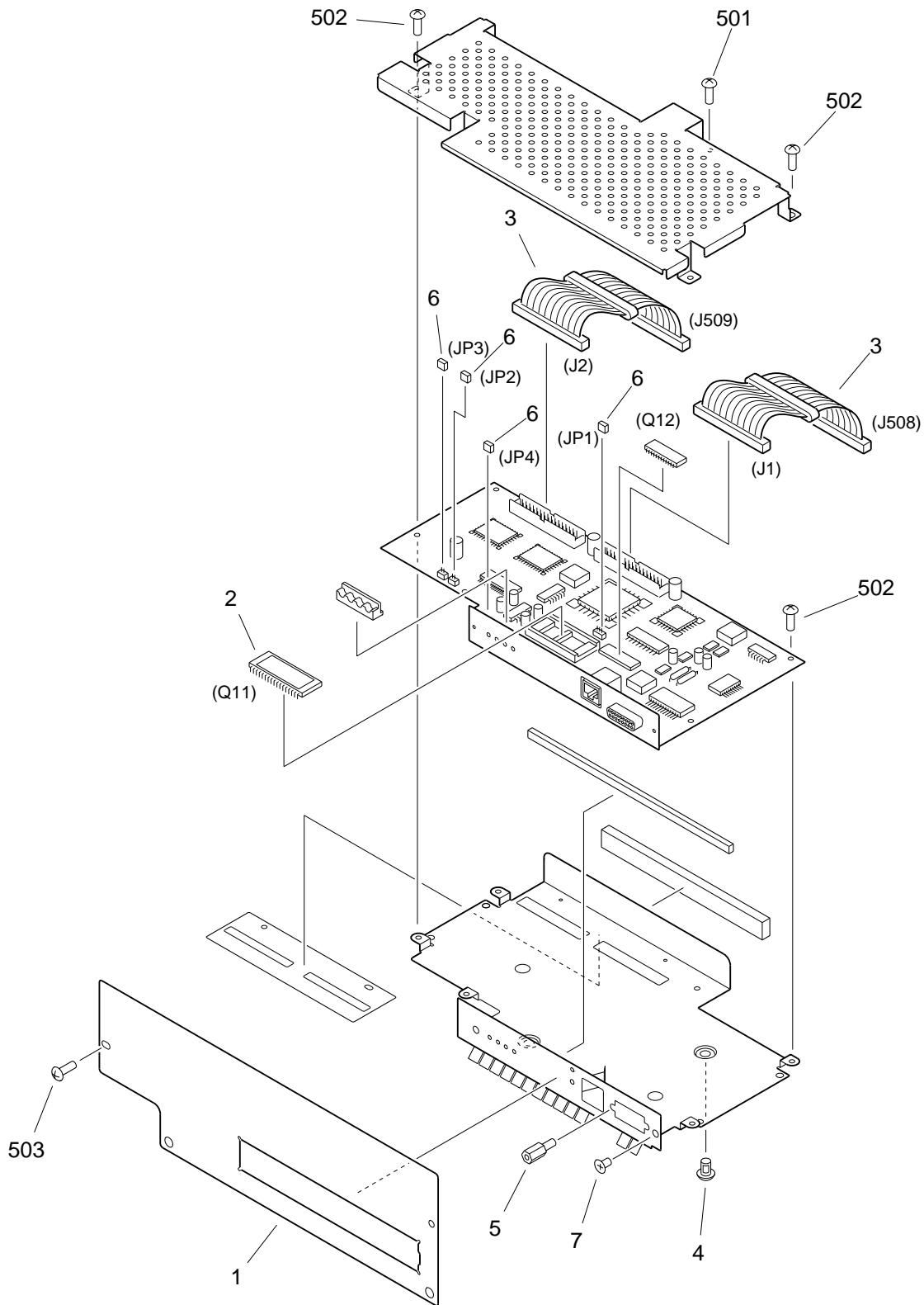
- D16. NUMERICAL INDEX

FIGURE VA ASSEMBLY LOCATION DIAGRAM



NETWORK INTERFACE BOARD-TR3 PCB ASS'Y (120/220/240V)

FIGURE V94



NOTE: This assembly does not include the parts shown with key No. 1, 3, 7, 501 and 503.

FIGURE & KEY NO.	PART NUMBER	RANK	QTY	DESCRIPTION	SERIAL NUMBER / REMARKS
V94 -	FG5 - 6363 - 000		1	NIB-TR3 PCB ASSEMBLY	120V
	FG5 - 9145 - 000		1	NIB-TR3 PCB ASSEMBLY	220/240V
	1 FB3 - 2372 - 000		1	PLATE, BLANKING	SEE NOTE
2	FF3 - 1087 - 000		1	IC, P28F020-150, FLASH-ROM	Q11
3	FH2 - 6354 - 000		2	CABLE, CONNECTING	SEE NOTE J1,508 2,509
4	VT2 - 5027 - 005		2	SPACER, CARD	
5	WS9 - 0139 - 000		2	SCREW,ALLEN HEAD (MM)	
6	WT1 - 5412 - 000		4	CONNECTOR, CIRCUIT SHORT	
7	XA9 - 0679 - 000		2	SCREW	SEE NOTE
501	XB1 - 2300 - 407		1	SCREW,MACH.,TRUSS HEAD,M3X4	SEE NOTE
502	XB1 - 2300 - 607		5	SCREW,MACH.,TRUSS HEAD,M3X6	
503	XB2 - 7400 - 806		4	SCREW,W/WASHER,M4X8	SEE NOTE
DS1	WG1 - 5251 - 000		1	LED, MPY4361F	
DS2	WG1 - 5251 - 000		1	LED, MPY4361F	
DS3	WG1 - 5251 - 000		1	LED, MPY4361F	
DS4	WG1 - 5251 - 000		1	LED, MPY4361F	
Q 6	FH4 - 5715 - 000		1	IC, TIBPAL20L8-10CNT, PLD	
Q 9	FH4 - 5716 - 000		1	IC, TIBPAL20L8-10CNT, PLD	
Q12	FH4 - 3693 - 000		1	IC, AM27S19APC, OTP-ROM	

SCSI Interface Board-C1

[100V F61-6562]

SCSI Interface Board-C1

[120V F61-6542]
[220/240V F61-6552]

CONTENTS

- YA. ASSEMBLY LOCATION DIAGRAM
- Y10. SCSI INTERFACE BOARD KIT
- Y90. SCSI INTERFACE BOARD PCB ASSEMBLY
- D17. NUMERICAL INDEX

FIGURE YA ASSEMBLY LOCATION DIAGRAM

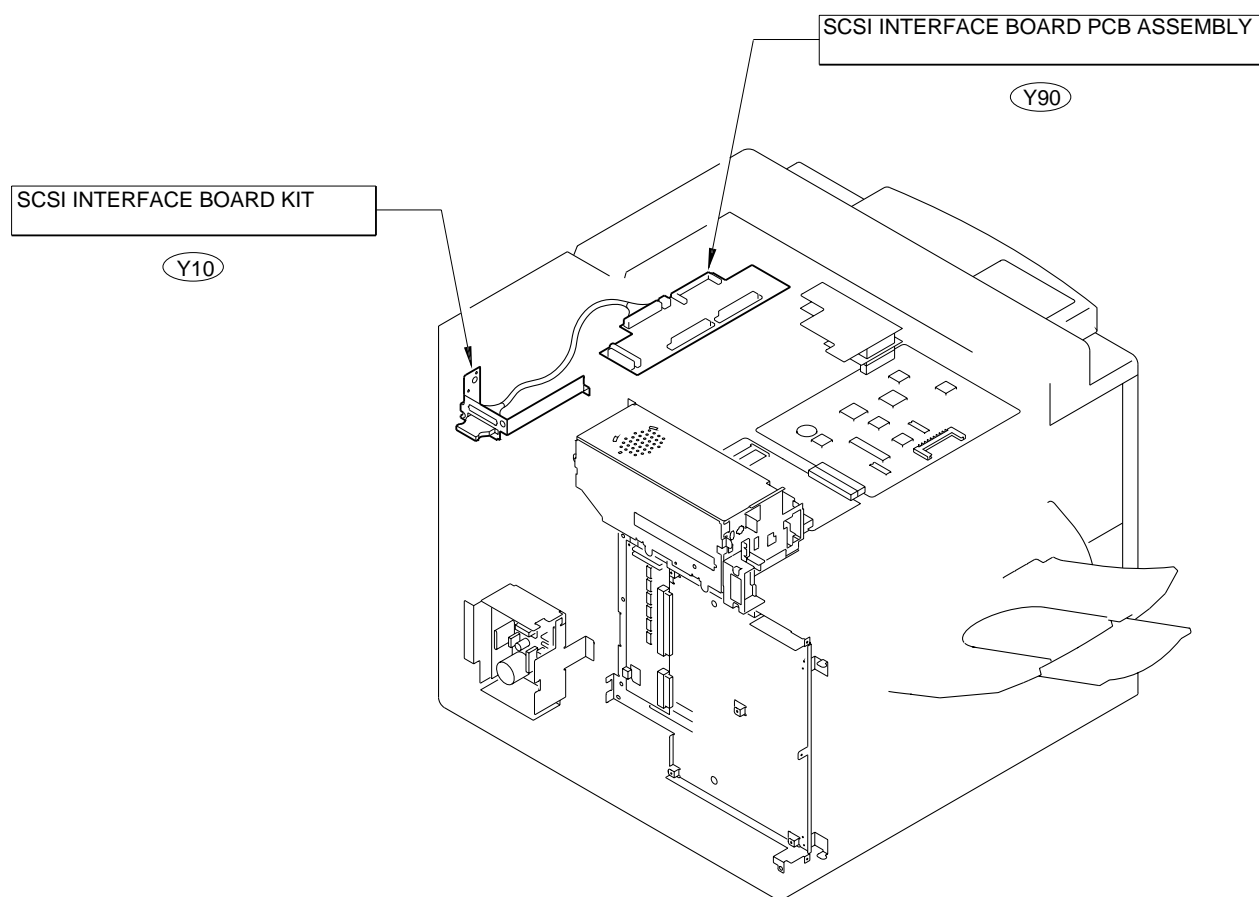


FIGURE Y10 SCSI INTERFACE BOARD KIT

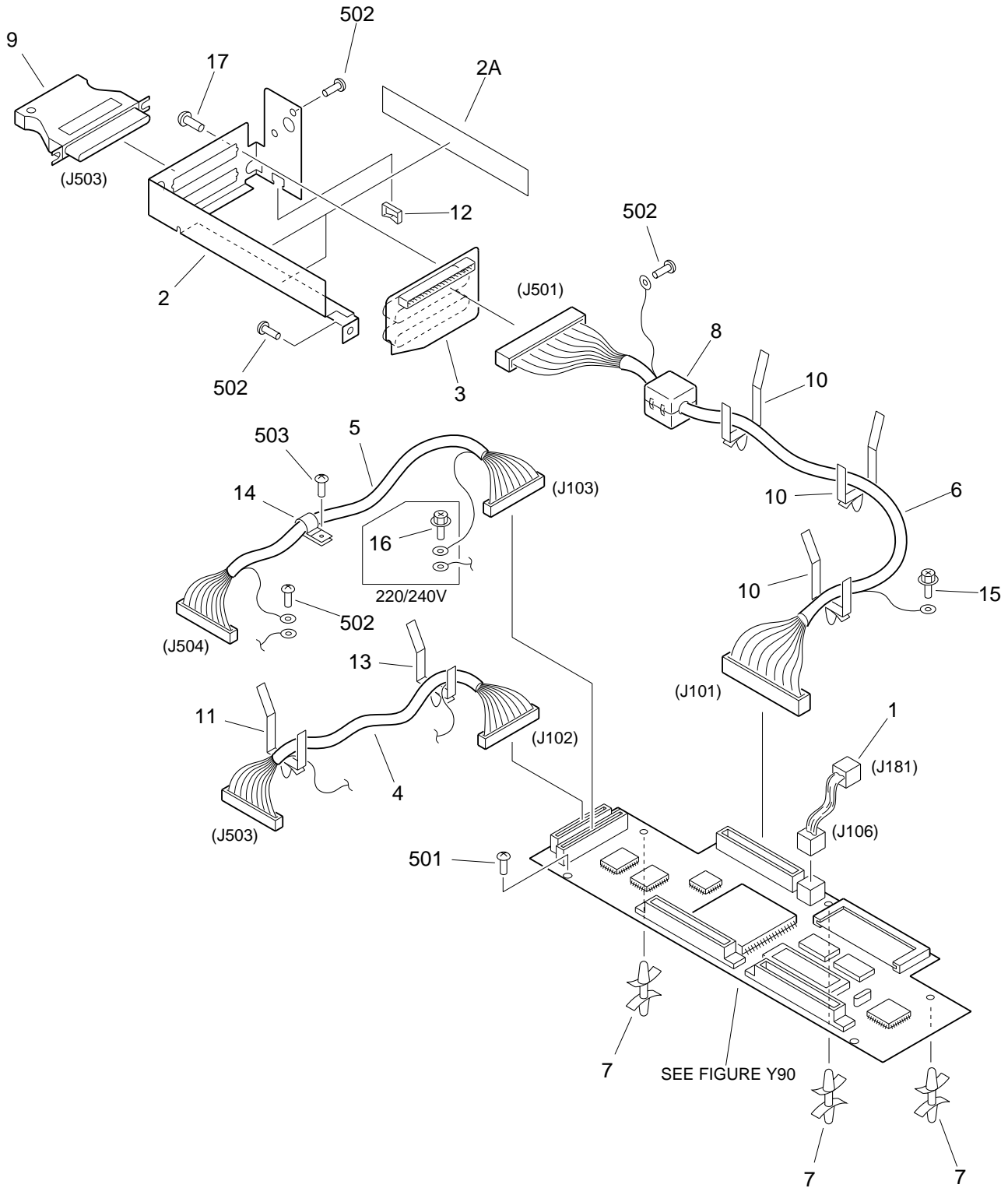


FIGURE & KEY NO.	PART NUMBER	R A N K	Q' T Y	DESCRIPTION	SERIAL NUMBER / REMARKS
Y10 -	NPN		RF	SCSI INTERFACE BOARD KIT	
1	FF3 - 1923 - 000		1	CABLE, POWER CONNECTING	J106,181
2	FF5 - 4596 - 000		1	MOUNT, CONNECTOR	
2A	FB3 - 2368 - 000		2	SHEET, EDGE PROTECT	
3	FG5 - 8353 - 000		1	SCSI I/F BOARD PCB ASSEMBLY	J501-503
4	FH2 - 6371 - 000		1	CABLE, SHIELD, 1	100/120V J102,503
	FH2 - 6375 - 000		1	CABLE, SHIELD, 1	220/240V J102,503
5	FH2 - 6372 - 000		1	CABLE, SHIELD, 2	100/120V J103,504
	FH2 - 6376 - 000		1	CABLE, SHIELD, 2	220/240V J103,504
6	FH2 - 6373 - 000		1	CABLE, SHIELD, 3	100/120V J101,501
	FH2 - 6377 - 000		1	CABLE, SHIELD, 3	220/240V J101,501
7	VT2 - 0013 - 060		3	SPACER, PCB	
8	WE8 - 5184 - 000		1	FERRITE CORE	100/120V
	WE8 - 5121 - 000		1	FERRITE CORE	220/240V
9	WS1 - 5531 - 000		1	TERMINATOR, SCSI	J503
10	WT2 - 0494 - 000		1	CLAMP, CABLE	100/120V
	WT2 - 5018 - 010		1	CLIP, CABLE	220/240V
11	WT2 - 0494 - 000		3	CLAMP, CABLE	
12	WT2 - 5056 - 000		1	CLIP, WIRE	
13	WT2 - 5064 - 000		1	CLAMP, CABLE	
14	WT2 - 5157 - 000		1	CLAMP, CABLE	220/240V
15	XA9 - 0633 - 000		1	SCREW,RS,M4X8	
16	XA9 - 0633 - 000		1	SCREW,RS,M4X8	220/240V
17	XA9 - 0886 - 000		4	SCREW,M2X4	
501	XB1 - 2400 - 609		2	SCREW,MACH.,TRUSS HEAD,M4X6	
502	XB2 - 7400 - 607		6	SCREW,W/WASHER,M4X6	
503	XB2 - 7400 - 607		1	SCREW,W/WASHER,M4X6	220/240V

FIGURE Y90 SCSI INTERFACE BOARD PCB ASSEMBLY

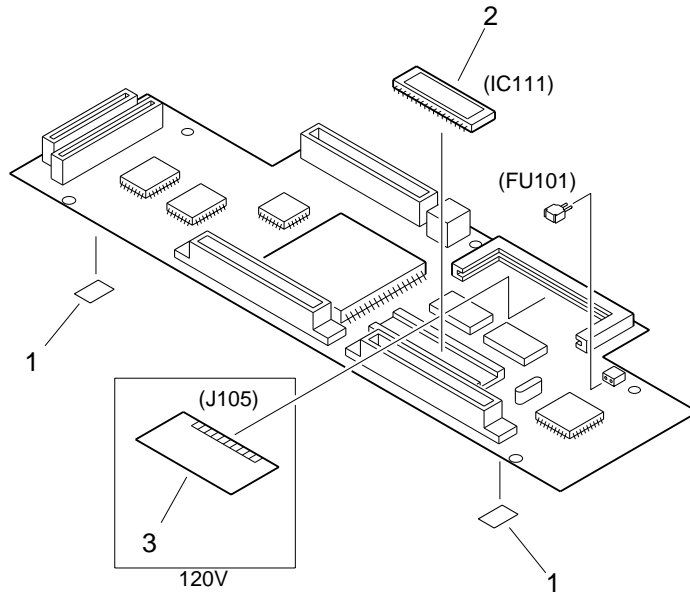


FIGURE & KEY NO.	PART NUMBER	RANK	QTY	DESCRIPTION	SERIAL NUMBER / REMARKS
Y90 - 1 2 3	FG5 - 8350 - 000		1	SCSI INTERFACE BOARD PCB ASS'Y	100/220/240V
	FG5 - 8355 - 000		1	SCSI INTERFACE BOARD PCB ASS'Y	120V 5M BYTE ROM TYPE
	FB4 - 0063 - 000		2	SHEET, INSULATION	
	FF3 - 1919 - 000		1	IC, HN27C4096HG-85, EP-ROM	IC111
	FH6 - 8983 - 000		1	DIMM, SCSI EXTENTION	120V J105 5M BYTE
FU101	VD5 - 0221 - 001		1	FUSE, 1A 48V	
	WD9 - 0044 - 000		1	HOLDER, FUSE	
IC121	FH4 - 5216 - 000		1	IC, MB622126U, GATE ARRAY	
IC146	FH4 - 5844 - 000		1	IC, HG62G010R34FBN, GATE ARRAY	
IC161	FH4 - 5846 - 000		1	IC, UPD65811GL-027-NMU,G.ARRAY	
LED101	WG1 - 5309 - 000		1	LED, SEL6210R	

D1 NUMERICAL INDEX (GP216/215/211/210/200)

PART NUMBER	FIGURE & KEY NO.	PART NUMBER	FIGURE & KEY NO.	PART NUMBER	FIGURE & KEY NO.
FA1 - 0056 - 000	103 - 1	FB2 - 1961 - 000	400 - 20 B	FB3 - 2314 - 000	335 - 4
FA1 - 9546 - 000	102 - 1	FB2 - 1966 - 000	400 - 20 C	FB3 - 2315 - 000	210 - 23
FA3 - 9315 - 000	130 - 1	FB2 - 2282 - 000	810 - 3	FB3 - 2317 - 000	102 - 11
FA4 - 1149 - 000	102 - 2	FB2 - 2284 - 020	810 - 4	FB3 - 2323 - 000	210 - 24
FA4 - 1159 - 000	120 - 1	FB2 - 3900 - 000	103 - 3	FB3 - 2324 - 000	210 - 25
FA5 - 1185 - 000	160 - 1	FB2 - 3910 - 000	640 - 9	FB3 - 2325 - 020	355 - 4
FA6 - 5618 - 000	210 - 1	FB2 - 3911 - 000	640 - 10	FB3 - 2326 - 000	355 - 5
FA6 - 9421 - 000	335 - 1	FB2 - 4480 - 000	250 - 7	FB3 - 2327 - 000	355 - 6
FA9 - 0023 - 000	910 - 1	FB3 - 0544 - 000	102 - 4	FB3 - 2328 - 000	355 - 7
FA9 - 0029 - 000	910 - 1	FB3 - 2202 - 000	100 - 20 A	FB3 - 2329 - 000	355 - 8
FA9 - 1800 - 000	210 - 2	FB3 - 2203 - 000	210 - 8	FB3 - 2330 - 000	355 - 9
	910 - 2	FB3 - 2205 - 000	103 - 4	FB3 - 2332 - 020	210 - 26
FA9 - 2112 - 000	250 - 1	FB3 - 2206 - 000	101 - 1	FB3 - 2333 - 000	210 - 27
	310 - 1	FB3 - 2208 - 000	104 - 2	FB3 - 2334 - 000	990 - 1
FA9 - 3311 - 000	300 - 1	FB3 - 2209 - 000	104 - 3	FB3 - 2336 - 000	210 - 28
FA9 - 3312 - 000	300 - 2	FB3 - 2210 - 000	102 - 5	FB3 - 2339 - 000	210 - 29
FA9 - 3313 - 000	300 - 3	FB3 - 2211 - 000	102 - 6	FB3 - 2341 - 000	100 - 20 B
FA9 - 3314 - 000	300 - 4	FB3 - 2212 - 020	102 - 7	FB3 - 2344 - 000	210 - 52 A
FA9 - 3316 - 000	401 - 15 A	FB3 - 2213 - 000	335 - 3	FB3 - 2345 - 000	210 - 51 A
FA9 - 3320 - 000	100 - 22 A	FB3 - 2214 - 000	102 - 8	FB3 - 2347 - 000	460 - 1
FA9 - 3321 - 000	100 - 22 B	FB3 - 2215 - 000	350 - 5	FB3 - 2348 - 000	210 - 30
FA9 - 3323 - 000	102 - 3		355 - 3	FB3 - 2350 - 000	104 - 7
FA9 - 3333 - 000	335 - 2	FB3 - 2216 - 000	103 - 5	FB3 - 2351 - 000	210 - 31
FA9 - 3336 - 000	401 - 1	FB3 - 2217 - 000	103 - 6		210 - 53 A
FA9 - 3337 - 000	401 - 2	FB3 - 2218 - 020	100 - 3	FB3 - 2353 - 000	210 - 32
FA9 - 3395 - 000	337 - 12 A	FB3 - 2219 - 000	102 - 9	FB3 - 2354 - 000	100 - 24 B
FA9 - 3409 - 000	510 - 1	FB3 - 2221 - 000	101 - 2	FB3 - 2355 - 000	100 - 24 B
FA9 - 3466 - 000	350 - 1	FB3 - 2222 - 000	104 - 4	FB3 - 2364 - 000	100 - 24 B
	355 - 1	FB3 - 2223 - 000	101 - 3	FB3 - 2365 - 000	100 - 24 B
FA9 - 3546 - 000	337 - 1	FB3 - 2224 - 000	100 - 4	FB3 - 2370 - 000	996 - 1
FA9 - 3609 - 000	130 - 1	FB3 - 2228 - 000	210 - 9		997 - 1
FA9 - 3633 - 000	160 - 2	FB3 - 2230 - 000	210 - 10	FB3 - 2373 - 000	103 - 7
FA9 - 3635 - 000	160 - 3	FB3 - 2231 - 000	210 - 11		336 - 1
FA9 - 3636 - 000	160 - 4	FB3 - 2232 - 000	210 - 12	FB3 - 2375 - 000	910 - 3
FA9 - 3637 - 000	160 - 5 A	FB3 - 2234 - 000	210 - 13	FB3 - 2379 - 000	996 - 2
FB1 - 0138 - 000	250 - 2	FB3 - 2235 - 020	210 - 14		997 - 2
FB1 - 0715 - 000	400 - 20 A	FB3 - 2237 - 000	210 - 15	FB3 - 2380 - 000	111 - 1
FB1 - 1282 - 000	401 - 3	FB3 - 2238 - 000	100 - 5	FB3 - 2382 - 000	100 - 24 B
FB1 - 5816 - 000	640 - 1	FB3 - 2239 - 000	210 - 16	FB3 - 2386 - 000	210 - 33
FB1 - 6649 - 000	400 - 1	FB3 - 2241 - 000	100 - 6	FB3 - 2392 - 000	210 - 5
FB1 - 6654 - 000	401 - 4	FB3 - 2242 - 000	100 - 7	FB3 - 2393 - 000	210 - 34
FB1 - 6657 - 000	400 - 2	FB3 - 2243 - 000	210 - 17	FB3 - 2394 - 000	210 - 35
	401 - 5	FB3 - 2245 - 000	210 - 18	FB3 - 2396 - 000	210 - 26
FB1 - 6668 - 000	104 - 1	FB3 - 2249 - 000	101 - 4	FB3 - 2397 - 000	210 - 17
FB1 - 6710 - 000	640 - 2	FB3 - 2251 - 040	101 - 5	FB3 - 2399 - 000	210 - 36
FB1 - 6712 - 000	640 - 27 A	FB3 - 2255 - 000	104 - 5	FB3 - 2402 - 000	400 - 6
FB1 - 6715 - 000	640 - 24 A	FB3 - 2256 - 000	104 - 6	FB3 - 2403 - 000	400 - 7
	640 - 25 A	FB3 - 2259 - 000	100 - 8	FB3 - 2404 - 000	400 - 8
FB1 - 6718 - 000	640 - 3	FB3 - 2260 - 000	100 - 9	FB3 - 2405 - 000	400 - 9
FB1 - 6719 - 000	640 - 4	FB3 - 2261 - 000	100 - 21 A	FB3 - 2406 - 000	400 - 10
FB1 - 6761 - 000	250 - 3	FB3 - 2262 - 000	280 - 1	FB3 - 2407 - 000	400 - 11
FB1 - 6762 - 000	250 - 4	FB3 - 2263 - 000	280 - 2	FB3 - 2408 - 000	400 - 12
FB1 - 6767 - 000	250 - 5	FB3 - 2265 - 000	210 - 19	FB3 - 2409 - 000	400 - 13
FB1 - 6841 - 000	350 - 2	FB3 - 2266 - 020	210 - 20	FB3 - 2410 - 020	400 - 14
	355 - 2	FB3 - 2268 - 000	102 - 10	FB3 - 2411 - 000	400 - 15
FB1 - 7109 - 000	210 - 3	FB3 - 2271 - 030	130 - 3		401 - 6
FB1 - 7116 - 000	210 - 4	FB3 - 2272 - 000	130 - 8	FB3 - 2412 - 000	400 - 20 D
	210 - 5	FB3 - 2273 - 000	130 - 9	FB3 - 2414 - 000	401 - 7
FB1 - 7157 - 000	100 - 1	FB3 - 2274 - 000	130 - 10	FB3 - 2415 - 040	401 - 8
FB1 - 7172 - 000	100 - 24 A	FB3 - 2275 - 040	130 - 3	FB3 - 2417 - 030	401 - 9
FB1 - 7211 - 000	210 - 6	FB3 - 2276 - 000	130 - 8	FB3 - 2419 - 000	401 - 10
FB1 - 7214 - 000	103 - 2	FB3 - 2277 - 000	130 - 10	FB3 - 2423 - 000	401 - 11
FB1 - 7218 - 000	640 - 5	FB3 - 2278 - 000	130 - 10	FB3 - 2424 - 000	401 - 12
FB1 - 7219 - 000	640 - 6	FB3 - 2279 - 040	130 - 3	FB3 - 2440 - 000	210 - 37
FB1 - 7220 - 000	640 - 7	FB3 - 2280 - 040	130 - 3	FB3 - 2450 - 000	400 - 20 E
FB1 - 7222 - 000	100 - 2	FB3 - 2281 - 000	130 - 8	FB3 - 2451 - 000	400 - 21 A
FB1 - 7275 - 000	810 - 1	FB3 - 2283 - 000	130 - 10	FB3 - 2479 - 000	111 - 2
FB1 - 7848 - 000	210 - 7	FB3 - 2284 - 040	130 - 3	FB3 - 2510 - 000	100 - 24 B
	210 - 7	FB3 - 2285 - 000	130 - 8	FB3 - 2511 - 000	100 - 24 C
FB1 - 7890 - 000	100 - 20 C	FB3 - 2286 - 000	130 - 9	FB3 - 2512 - 000	100 - 24 D
FB1 - 8014 - 000	250 - 6	FB3 - 2287 - 000	130 - 10	FB3 - 2513 - 000	100 - 24 E
FB1 - 8130 - 000	640 - 8	FB3 - 2288 - 040	130 - 3	FB3 - 2514 - 000	100 - 10
FB1 - 8142 - 000	640 - 23 A	FB3 - 2289 - 040	130 - 3	FB3 - 2515 - 000	100 - 24 F
FB1 - 8430 - 000	350 - 3	FB3 - 2290 - 000	130 - 8	FB3 - 2516 - 000	100 - 24 G
FB1 - 8432 - 000	350 - 4	FB3 - 2292 - 000	130 - 10	FB3 - 2517 - 000	100 - 24 B
FB1 - 8439 - 000	120 - 2	FB3 - 2293 - 000	210 - 21	FB3 - 2520 - 000	130 - 2
FB1 - 8581 - 000	120 - 3	FB3 - 2294 - 000	210 - 22	FB3 - 2521 - 030	130 - 3
FB1 - 8584 - 000	120 - 20 A	FB3 - 2295 - 000	210 - 55 A	FB3 - 2522 - 000	130 - 4
FB1 - 8619 - 000	326 - 1	FB3 - 2296 - 000	310 - 2	FB3 - 2523 - 000	130 - 5
FB1 - 8621 - 000	326 - 2	FB3 - 2308 - 000	100 - 20 A	FB3 - 2524 - 000	130 - 6
FB1 - 8625 - 000	326 - 3	FB3 - 2309 - 000	100 - 20 A	FB3 - 2525 - 020	130 - 7
FB1 - 9267 - 000	810 - 2	FB3 - 2310 - 000	100 - 20 A	FB3 - 2526 - 000	130 - 8
FB2 - 1947 - 000	400 - 3	FB3 - 2311 - 000	101 - 6	FB3 - 2527 - 000	130 - 9
FB2 - 1952 - 000	400 - 4	FB3 - 2312 - 000	101 - 7	FB3 - 2528 - 000	130 - 10
FB2 - 1954 - 000	400 - 5	FB3 - 2313 - 000	101 - 8	FB3 - 2529 - 000	130 - 11

D1 NUMERICAL INDEX (GP216/215/211/210/200)

PART NUMBER	FIGURE & KEY NO.	PART NUMBER	FIGURE & KEY NO.	PART NUMBER	FIGURE & KEY NO.
FB3 - 2530 - 000	130 - 12	FB3 - 2705 - 000	640 - 29 A	FB3 - 2944 - 000	300 - 18
FB3 - 2531 - 000	130 - 13	FB3 - 2709 - 000	640 - 26 B	FB3 - 2946 - 000	101 - 17 A
FB3 - 2532 - 000	130 - 14	FB3 - 2710 - 000	640 - 28 B	FB3 - 2947 - 000	101 - 17 B
FB3 - 2533 - 000	130 - 15	FB3 - 2712 - 000	640 - 20	FB3 - 2948 - 000	101 - 17 C
FB3 - 2534 - 000	130 - 16	FB3 - 2741 - 020	510 - 2	FB3 - 2949 - 000	101 - 17 D
FB3 - 2535 - 000	130 - 17	FB3 - 2742 - 000	510 - 3	FB3 - 2951 - 000	300 - 25 A
FB3 - 2536 - 000	130 - 18	FB3 - 2743 - 000	510 - 4	FB3 - 2952 - 000	300 - 19
FB3 - 2537 - 000	130 - 19	FB3 - 2761 - 000	104 - 14	FB3 - 2953 - 000	300 - 20
FB3 - 2538 - 000	130 - 20	FB3 - 2762 - 000	104 - 15	FB3 - 2955 - 000	300 - 21
FB3 - 2539 - 000	130 - 21	FB3 - 2763 - 000	104 - 16	FB3 - 2956 - 000	300 - 22
FB3 - 2540 - 000	130 - 22	FB3 - 2764 - 000	210 - 38	FB3 - 2960 - 000	341 - 14 B
FB3 - 2541 - 000	130 - 23	FB3 - 2765 - 000	210 - 39	FB3 - 2961 - 000	341 - 9
FB3 - 2542 - 000	130 - 24	FB3 - 2766 - 000	191 - 1	FB3 - 2968 - 000	341 - 10
FB3 - 2543 - 000	130 - 25	FB3 - 2767 - 000	191 - 2	FB3 - 2969 - 020	341 - 11
FB3 - 2544 - 000	130 - 26	FB3 - 2770 - 000	191 - 3 A	FB3 - 2970 - 030	337 - 2
FB3 - 2552 - 000	101 - 9	FB3 - 2771 - 000	210 - 50 A	FB3 - 2971 - 000	337 - 3
FB3 - 2553 - 000	130 - 27	FB3 - 2779 - 000	190 - 1 A	FB3 - 2973 - 000	337 - 12 B
FB3 - 2562 - 000	250 - 8	FB3 - 2782 - 000	103 - 11	FB3 - 2974 - 000	337 - 4
FB3 - 2567 - 000	250 - 9	FB3 - 2791 - 000	104 - 17	FB3 - 2975 - 000	337 - 5
FB3 - 2569 - 000	250 - 10	FB3 - 2792 - 000	104 - 18	FB3 - 2978 - 000	335 - 5
FB3 - 2570 - 000	250 - 11		104 - 19	FB3 - 2979 - 000	335 - 6
FB3 - 2573 - 000	250 - 12	FB3 - 2793 - 000	100 - 19 A	FB3 - 2981 - 030	335 - 7
FB3 - 2575 - 000	250 - 13	FB3 - 2810 - 020	120 - 4	FB3 - 2982 - 000	335 - 8
FB3 - 2576 - 000	250 - 14	FB3 - 2811 - 000	120 - 5	FB3 - 2983 - 000	335 - 9
FB3 - 2584 - 000	280 - 3	FB3 - 2812 - 000	120 - 6	FB3 - 2984 - 000	335 - 10
FB3 - 2586 - 000	280 - 4	FB3 - 2813 - 000	120 - 7	FB3 - 2985 - 020	335 - 11
FB3 - 2587 - 000	280 - 5	FB3 - 2814 - 000	120 - 8	FB3 - 2986 - 000	335 - 12
FB3 - 2588 - 000	280 - 6	FB3 - 2815 - 000	120 - 9	FB3 - 2987 - 000	335 - 13
FB3 - 2589 - 000	280 - 7	FB3 - 2817 - 040	120 - 10	FB3 - 2988 - 020	335 - 19 A
FB3 - 2592 - 000	104 - 8	FB3 - 2818 - 020	120 - 11	FB3 - 2989 - 000	335 - 14
FB3 - 2596 - 000	104 - 9	FB3 - 2819 - 000	120 - 12	FB3 - 2992 - 000	104 - 38
FB3 - 2598 - 000	101 - 10	FB3 - 2820 - 000	120 - 13	FB3 - 2994 - 000	102 - 14
FB3 - 2599 - 000	101 - 11	FB3 - 2821 - 000	120 - 14	FB3 - 2995 - 000	102 - 15
FB3 - 2600 - 020	101 - 12	FB3 - 2822 - 000	326 - 4	FB3 - 2996 - 000	102 - 16
FB3 - 2601 - 000	104 - 10	FB3 - 2824 - 000	326 - 5	FB3 - 2997 - 000	335 - 15
FB3 - 2608 - 000	930 - 1	FB3 - 2825 - 000	326 - 6	FB3 - 2998 - 000	337 - 6
FB3 - 2609 - 000	104 - 11	FB3 - 2826 - 000	326 - 7		337 - 7
FB3 - 2611 - 000	110 - 1	FB3 - 2829 - 000	102 - 13		350 - 6
FB3 - 2612 - 000	111 - 3	FB3 - 2832 - 000	326 - 8		350 - 7
FB3 - 2614 - 000	111 - 4	FB3 - 2833 - 000	120 - 15	FB3 - 3003 - 000	335 - 16
FB3 - 2615 - 000	180 - 1	FB3 - 2834 - 000	120 - 16	FB3 - 3004 - 000	335 - 17
FB3 - 2616 - 000	100 - 11	FB3 - 2835 - 000	120 - 17	FB3 - 3021 - 000	102 - 24 A
FB3 - 2617 - 000	100 - 12	FB3 - 2836 - 000	326 - 9	FB3 - 3022 - 000	102 - 24 B
FB3 - 2618 - 000	100 - 13	FB3 - 2837 - 000	120 - 18	FB3 - 3027 - 000	103 - 12
FB3 - 2619 - 000	100 - 14	FB3 - 2844 - 000	310 - 3	FB3 - 3028 - 000	103 - 13
FB3 - 2623 - 000	100 - 15	FB3 - 2849 - 000	310 - 4	FB3 - 3029 - 000	103 - 14
FB3 - 2628 - 000	910 - 4	FB3 - 2850 - 000	310 - 5	FB3 - 3030 - 000	103 - 15
FB3 - 2636 - 000	250 - 15	FB3 - 2855 - 000	310 - 6	FB3 - 3031 - 000	103 - 16
FB3 - 2640 - 000	250 - 16	FB3 - 2856 - 000	310 - 7	FB3 - 3033 - 000	103 - 17
FB3 - 2643 - 000	180 - 2	FB3 - 2858 - 000	310 - 8	FB3 - 3034 - 000	103 - 18
FB3 - 2644 - 000	104 - 12	FB3 - 2859 - 000	310 - 9	FB3 - 3035 - 000	103 - 19
FB3 - 2645 - 000	104 - 13	FB3 - 2860 - 000	310 - 10	FB3 - 3037 - 000	810 - 5
FB3 - 2647 - 020	341 - 1	FB3 - 2861 - 000	310 - 11	FB3 - 3038 - 000	810 - 6
FB3 - 2648 - 000	341 - 2	FB3 - 2862 - 000	310 - 12	FB3 - 3039 - 040	810 - 7
FB3 - 2649 - 000	341 - 3	FB3 - 2863 - 000	310 - 13	FB3 - 3040 - 000	810 - 8
FB3 - 2651 - 030	341 - 4	FB3 - 2864 - 000	310 - 14	FB3 - 3044 - 020	810 - 9
FB3 - 2652 - 000	341 - 5	FB3 - 2865 - 030	310 - 15	FB3 - 3045 - 000	810 - 10
FB3 - 2653 - 000	341 - 14 A	FB3 - 2866 - 030	310 - 16	FB3 - 3052 - 000	810 - 11
FB3 - 2656 - 020	341 - 6	FB3 - 2867 - 030	310 - 17	FB3 - 3053 - 000	810 - 12
FB3 - 2658 - 000	341 - 7	FB3 - 2868 - 020	310 - 18	FB3 - 3056 - 000	810 - 13
FB3 - 2659 - 000	341 - 8	FB3 - 2871 - 000	310 - 19	FB3 - 3057 - 000	810 - 14
FB3 - 2662 - 000	103 - 8	FB3 - 2872 - 000	940 - 1	FB3 - 3060 - 000	810 - 15
FB3 - 2663 - 000	103 - 9	FB3 - 2880 - 000	310 - 20	FB3 - 3062 - 000	810 - 16
FB3 - 2665 - 000	102 - 12	FB3 - 2881 - 000	310 - 21	FB3 - 3063 - 000	810 - 17
FB3 - 2667 - 000	103 - 10	FB3 - 2894 - 020	310 - 22	FB3 - 3067 - 000	810 - 18
FB3 - 2668 - 020	103 - 24 A	FB3 - 2896 - 000	310 - 23	FB3 - 3069 - 000	810 - 19
FB3 - 2669 - 000	103 - 25 A	FB3 - 2897 - 020	310 - 24	FB3 - 3075 - 000	810 - 20
FB3 - 2672 - 000	640 - 11	FB3 - 2898 - 020	310 - 25	FB3 - 3081 - 000	102 - 17
FB3 - 2674 - 000	640 - 23 B	FB3 - 2922 - 000	300 - 5	FB3 - 3086 - 000	102 - 18
FB3 - 2675 - 000	640 - 12	FB3 - 2923 - 020	300 - 6	FB3 - 3091 - 000	810 - 21
FB3 - 2679 - 000	640 - 13	FB3 - 2926 - 000	300 - 7	FB3 - 3092 - 000	810 - 22
FB3 - 2680 - 000	640 - 26 A	FB3 - 2927 - 000	300 - 8	FB3 - 3093 - 000	810 - 23
FB3 - 2681 - 000	640 - 14	FB3 - 2928 - 000	300 - 9	FB3 - 3094 - 020	810 - 24
FB3 - 2684 - 000	640 - 15	FB3 - 2930 - 000	300 - 10	FB3 - 3095 - 000	810 - 25
FB3 - 2686 - 000	640 - 16	FB3 - 2931 - 000	300 - 11	FB3 - 3096 - 000	810 - 26
FB3 - 2687 - 000	640 - 17	FB3 - 2933 - 000	300 - 12	FB3 - 3098 - 000	810 - 40 A
FB3 - 2688 - 000	640 - 18	FB3 - 2934 - 000	300 - 13	FB3 - 3099 - 000	810 - 27
FB3 - 2690 - 000	640 - 23 C	FB3 - 2936 - 000	101 - 15 A	FB3 - 3101 - 000	330 - 1
FB3 - 2691 - 000	640 - 22 A	FB3 - 2937 - 000	101 - 15 B	FB3 - 3103 - 040	330 - 2
FB3 - 2692 - 000	640 - 22 B	FB3 - 2938 - 000	101 - 15 C	FB3 - 3105 - 000	330 - 3
FB3 - 2693 - 000	640 - 22 C	FB3 - 2939 - 000	101 - 15 D	FB3 - 3106 - 000	330 - 4
FB3 - 2695 - 000	640 - 19	FB3 - 2940 - 000	300 - 14	FB3 - 3107 - 000	330 - 5
FB3 - 2696 - 000	640 - 22 D	FB3 - 2941 - 000	300 - 15	FB3 - 3109 - 000	330 - 6
FB3 - 2697 - 000	640 - 22 E	FB3 - 2942 - 000	300 - 16	FB3 - 3112 - 000	330 - 7
FB3 - 2703 - 020	640 - 28 A	FB3 - 2943 - 000	300 - 17	FB3 - 3116 - 020	810 - 28

D1 NUMERICAL INDEX (GP216/215/211/210/200)

PART NUMBER	FIGURE & KEY NO.	PART NUMBER	FIGURE & KEY NO.	PART NUMBER	FIGURE & KEY NO.
FB3 - 3119 - 000	350 - 8	FB4 - 2830 - 000	330 - 8	FF3 - 1306 - 000	180 - 8
	350 - 9	FB4 - 5347 - 000	310 - 9	FF3 - 1308 - 000	920 - 1
	350 - 10	FB4 - 5348 - 000	310 - 10	FF3 - 1309 - 000	111 - 6
FB3 - 3120 - 030	350 - 11	FB4 - 5349 - 000	310 - 19	FF3 - 1310 - 000	111 - 7
	355 - 10	FB4 - 5350 - 000	310 - 17	FF3 - 1311 - 000	111 - 8 B
FB3 - 3121 - 030	355 - 11	FB4 - 5351 - 000	280 - 4	FF3 - 1312 - 000	993 - 1
FB3 - 3122 - 050	355 - 12	FB4 - 5355 - 000	100 - 2 4 B	FF3 - 1321 - 000	920 - J 9 2 0
FB3 - 3123 - 040	350 - 12	FB4 - 5356 - 000	100 - 2 4 B	FF3 - 1322 - 000	101 - 17 M
FB3 - 3124 - 040	350 - 13	FB4 - 5357 - 000	100 - 2 4 B	FF3 - 1324 - 000	991 - 7
FB3 - 3125 - 030	350 - 14	FB4 - 5358 - 000	100 - 2 4 B	FF3 - 1325 - 000	810 - 3 7
FB3 - 3126 - 000	350 - 15	FB4 - 5359 - 000	100 - 2 4 B	FF3 - 1442 - 000	993 - FT 1
FB3 - 3127 - 000	350 - 16	FB4 - 5360 - 000	100 - 2 4 B	FF3 - 1443 - 000	993 - 1
FB3 - 3128 - 030	350 - 17	FB4 - 5361 - 000	100 - 2 4 B	FF3 - 1444 - 000	991 - 6
	355 - 13	FB4 - 5362 - 000	100 - 2 4 F		995 - 5
FB3 - 3129 - 020	350 - 18	FB4 - 5364 - 000	310 - 11	FF3 - 1445 - 000	991 - 7
	355 - 14	FB4 - 5365 - 000	310 - 12		995 - 6
FB3 - 3130 - 000	350 - 19	FB4 - 5366 - 000	310 - 15	FF3 - 1570 - 090	989 - 1
FB3 - 3132 - 000	350 - 20	FB4 - 5367 - 000	310 - 16	FF3 - 1571 - 090	989 - 2
FB3 - 3133 - 000	350 - 21	FB4 - 5380 - 000	100 - 2 4 E	FF3 - 1572 - 090	989 - 3
FB3 - 3134 - 020	350 - 22	FB4 - 5381 - 000	640 - 16	FF3 - 1573 - 090	989 - 4
FB3 - 3135 - 000	350 - 23	FB4 - 5382 - 000	103 - 4	FF3 - 1574 - 090	989 - 5
FB3 - 3136 - 000	350 - 24	FB4 - 6724 - 000	100 - 2 4 K	FF3 - 1575 - 090	989 - 6
FB3 - 3137 - 000	350 - 25	FB4 - 6728 - 000	100 - 18	FF3 - 1603 - 000	920 - J 9 1 7
FB3 - 3138 - 000	350 - 26	FC1 - 2234 - 000	910 - 1	FF3 - 1605 - 000	210 - 4 6
FB3 - 3139 - 000	350 - 27	FC1 - 6200 - 000	100 - 19 B	FF3 - 1606 - 000	210 - 4 7
FB3 - 3140 - 020	350 - 28	FC1 - 6201 - 000	100 - 19 B	FF3 - 1607 - 000	992 - J 8
FB3 - 3141 - 020	350 - 29	FC1 - 6202 - 000	100 - 19 B	FF3 - 2018 - 000	992 - 1
	355 - 15	FC1 - 6203 - 000	100 - 19 B	FF3 - 2019 - 000	993 - FT 1
FB3 - 3146 - 000	336 - 2	FC1 - 9022 - 030	120 - 19	FF3 - 2028 - 000	810 - 3 8
FB3 - 3147 - 000	336 - 3	FC1 - 9392 - 020	100 - 2 8	FF3 - 2049 - 000	336 - 4
FB3 - 3149 - 000	350 - 30	FF3 - 0520 - 000	988 - 1	FF3 - 2050 - 000	104 - 2 5
FB3 - 3150 - 000	350 - 31	FF3 - 1136 - 000	102 - 19	FF3 - 2051 - 000	104 - 2 4
FB3 - 3161 - 020	350 - 32		B - J 4 0	FF3 - 2052 - 000	104 - 2 3
FB3 - 3162 - 000	350 - 33		B - J 8 2	FF3 - 2053 - 000	336 - 5
FB3 - 3163 - 020	350 - 34	FF3 - 1137 - 000	104 - 2 2	FF3 - 2054 - 000	992 - 1
FB3 - 3164 - 000	350 - 35	FF3 - 1138 - 000	400 - 16	FF3 - 2055 - 000	992 - 2
	350 - 36	FF3 - 1139 - 000	400 - 17	FF3 - 2276 - 000	336 - 6
	350 - 37	FF3 - 1140 - 000	400 - 18	FF3 - 2277 - 000	336 - 7
FB3 - 3165 - 000	337 - 8	FF3 - 1141 - 000	400 - 19	FF3 - 2343 - 000	210 - 5 9
	337 - 9	FF3 - 1144 - 000	460 - 3 A		B - J 1 1 1
	337 - 10	FF3 - 1147 - 000	102 - 2 0		B - J 5 0 9
FB3 - 3169 - 000	350 - 38	FF3 - 1149 - 000	350 - 4 0	FF3 - 3061 - 000	460 - 3 A
	355 - 16	FF3 - 1151 - 000	110 - 2	FF3 - 3735 - 000	180 - 6
FB3 - 3170 - 000	998 - 1	FF3 - 1152 - 000	110 - 3	FF5 - 1128 - 000	210 - 4 8
FB3 - 3171 - 000	991 - 1	FF3 - 1153 - 000	111 - 5	FF5 - 1203 - 000	210 - 4 9
	995 - 1	FF3 - 1154 - 000	110 - 4 A	FF5 - 1458 - 020	102 - 2 3
	998 - 2	FF3 - 1155 - 000	110 - 4 B	FF5 - 4466 - 070	102 - 2 4
FB3 - 3172 - 000	991 - 2	FF3 - 1156 - 000	110 - 4 C	FF5 - 4467 - 020	102 - 2 5
	991 - 2		111 - 8 A	FF5 - 4468 - 020	810 - 3 9
	995 - 2	FF3 - 1157 - 000	104 - 2 3	FF5 - 4469 - 000	810 - 4 0
	998 - 3	FF3 - 1158 - 000	104 - 2 4	FF5 - 4473 - 000	100 - 2 0
FB3 - 3173 - 000	991 - 3	FF3 - 1160 - 000	104 - 2 5	FF5 - 4474 - 020	100 - 1 9
	995 - 3	FF3 - 1161 - 370	930 - I C 1 0 3	FF5 - 4475 - 000	510 - 5
FB3 - 3174 - 000	991 - 4	FF3 - 1162 - 370	930 - I C 1 0 4	FF5 - 4476 - 000	103 - 2 2
	995 - 4	FF3 - 1163 - 000	104 - 2 6	FF5 - 4477 - 000	103 - 2 3
FB3 - 3175 - 000	991 - 5	FF3 - 1164 - 000	104 - 2 7	FF5 - 4478 - 000	640 - 2 2
FB3 - 3180 - 000	104 - 20	FF3 - 1166 - 000	210 - 5 8 A	FF5 - 4479 - 000	640 - 2 3
FB3 - 3191 - 000	991 - 8 A	FF3 - 1168 - 000	940 - 2	FF5 - 4480 - 000	640 - 2 4
	995 - 7 A	FF3 - 1170 - 000	101 - 1 7 N	FF5 - 4481 - 000	640 - 2 5
FB3 - 3192 - 030	103 - 20	FF3 - 1171 - 000	101 - 1 7 E	FF5 - 4482 - 020	640 - 2 6
FB3 - 3193 - 020	104 - 2 1	FF3 - 1172 - 000	341 - 1 2	FF5 - 4483 - 000	640 - 2 7
FB3 - 5754 - 020	100 - 16	FF3 - 1173 - 000	341 - 1 3	FF5 - 4485 - 000	640 - 2 8
FB3 - 5755 - 020	100 - 17	FF3 - 1174 - 000	337 - 1 1	FF5 - 4486 - 000	102 - 2 6
FB3 - 5756 - 000	100 - 2	FF3 - 1175 - 000	335 - 1 8	FF5 - 4487 - 020	102 - 2 7
FB3 - 7192 - 000	103 - 2 1	FF3 - 1176 - 000	102 - 2 1	FF5 - 4488 - 000	120 - 2 0
FB3 - 8864 - 000	130 - 1	FF3 - 1177 - 000	460 - 2	FF5 - 4489 - 000	326 - 1 0
FB3 - 8865 - 000	100 - 2	FF3 - 1178 - 000	102 - 2 2	FF5 - 4491 - 000	300 - 2 3
FB3 - 9414 - 000	210 - 4 0	FF3 - 1179 - 000	810 - 3 5	FF5 - 4493 - 000	102 - 2 8
FB3 - 9418 - 000	210 - 4 1	FF3 - 1183 - 000	810 - 3 6	FF5 - 4496 - 020	280 - 8
FB3 - 9419 - 000	210 - 4 2	FF3 - 1184 - 000	330 - 9	FF5 - 4498 - 020	336 - 1 4
FB3 - 9420 - 000	210 - 4 3	FF3 - 1185 - 000	350 - 4 1	FF5 - 4499 - 000	104 - 3 0
FB3 - 9426 - 000	210 - 4 4	FF3 - 1187 - 000	104 - 2 8	FF5 - 4500 - 000	104 - 3 1
FB3 - 9435 - 000	102 - 5 4	FF3 - 1189 - 000	104 - 2 9	FF5 - 4501 - 000	104 - 3 2
FB3 - 9445 - 000	991 - 1	FF3 - 1190 - 000	180 - 3	FF5 - 4502 - 020	337 - 1 2
FB3 - 9460 - 000	210 - 5 5 B	FF3 - 1191 - 000	180 - 4	FF5 - 4503 - 000	335 - 1 9
FB3 - 9619 - 000	350 - 3 9	FF3 - 1192 - 000	180 - 5	FF5 - 4506 - 000	102 - 2 9
FB3 - 9620 - 000	810 - 2 9	FF3 - 1194 - 000	810 - 3 7	FF5 - 4509 - 030	341 - 1 4
FB3 - 9635 - 000	810 - 3 0	FF3 - 1200 - 000	910 - J P HVH1	FF5 - 4510 - 000	341 - 1 5
	810 - 3 1	FF3 - 1201 - 000	910 - J P HVL1	FF5 - 4512 - 040	350 - 4 2
FB3 - 9638 - 000	210 - 4 5	FF3 - 1202 - 000	910 - J P MVH1	FF5 - 4516 - 000	330 - 1 0
FB3 - 9663 - 000	810 - 3 2	FF3 - 1303 - 000	640 - 2 1	FF5 - 4517 - 000	400 - 2 0
FB3 - 9907 - 000	100 - 2 0 C		B - J 4 0	FF5 - 4518 - 040	401 - 1 3
FB4 - 0953 - 000	810 - 3 3		B - J 4 1	FF5 - 4519 - 000	401 - 1 4
FB4 - 0957 - 000	810 - 3 4	FF3 - 1304 - 000	180 - 6	FF5 - 4524 - 020	310 - 2 6
FB4 - 2668 - 000	101 - 1 3	FF3 - 1305 - 000	180 - 7	FF5 - 4525 - 000	341 - 1 6

D1 NUMERICAL INDEX (GP216/215/211/210/200)

PART NUMBER	FIGURE & KEY NO.	PART NUMBER	FIGURE & KEY NO.	PART NUMBER	FIGURE & KEY NO.
FF5 - 4540 - 000	191 - 3	FG5 - 6180 - 000	460 - 3	FG5 - 8292 - 090	930 -
FF5 - 4541 - 000	210 - 50	FG5 - 6185 - 000	100 - 24	FG5 - 8294 - 000	210 - 57
FF5 - 4542 - 020	103 - 24	FG5 - 6186 - 000	100 - 24	FG5 - 8419 - 000	100 - 24
FF5 - 4543 - 000	103 - 25	FG5 - 6190 - 070	130 -	FG5 - 8420 - 000	100 - 24
FF5 - 4545 - 000	810 - 41	FG5 - 6192 - 040	250 -	FG5 - 8502 - 000	100 - 24
FF5 - 4548 - 030	300 - 24	FG5 - 6195 - 000	104 - 36	FG5 - 8503 - 000	100 - 24
FF5 - 4550 - 000	640 - 29	FG5 - 6196 - 000	110 -	FG5 - 8504 - 000	991 -
FF5 - 4552 - 020	310 - 27	FG5 - 6199 - 090	930 -	FG5 - 8505 - 000	996 -
FF5 - 4555 - 000	100 - 20	FG5 - 6200 - 030	910 -	FG5 - 8513 - 000	100 - 25
FF5 - 4556 - 000	100 - 20	FG5 - 6201 - 000	180 -	FG5 - 8515 - 000	100 - 24
FF5 - 4557 - 000	100 - 20	FG5 - 6204 - 000	104 - 36	FG5 - 8516 - 000	100 - 24
FF5 - 4559 - 020	100 - 19	FG5 - 6206 - 030	101 - 14	FG5 - 8517 - 020	992 -
FF5 - 4560 - 020	100 - 19		336 - 15	FG5 - 8518 - 000	991 -
FF5 - 4561 - 020	100 - 19	FG5 - 6207 - 000	910 -	FG5 - 8519 - 000	991 - 16
FF5 - 4563 - 000	810 - 42	FG5 - 6210 - 050	640 -	FG5 - 8520 - 000	992 -
FF5 - 4565 - 000	102 - 30	FG5 - 6215 - 000	190 -	FG5 - 8521 - 000	991 -
FF5 - 4567 - 000	300 - 25	FG5 - 6216 - 000	191 -	FG5 - 8690 - 000	950 -
FF5 - 4568 - 000	300 - 25	FG5 - 6218 - 000	510 - 6	FG5 - 8691 - 000	950 -
FF5 - 4569 - 020	300 - 26	FG5 - 6220 - 000	510 - 7	FG5 - 8692 - 450	950 - 1
FF5 - 4570 - 000	350 - 43	FG5 - 6222 - 000	640 - 30	FG5 - 8694 - 000	336 - 8
FF5 - 4571 - 000	104 - 33	FG5 - 6230 - 070	120 -	FG5 - 8695 - 030	988 -
FF5 - 4572 - 000	991 - 8	FG5 - 6231 - 000	326 -	FG5 - 8703 - 040	989 -
	995 - 7	FG5 - 6237 - 130	310 -	FG5 - 8704 - 000	100 - 26
FF5 - 4574 - 000	104 - 34	FG5 - 6246 - 000	101 - 15	FG5 - 8705 - 030	640 - 30
	104 - 35	FG5 - 6251 - 060	341 -	FG5 - 8706 - 070	640 -
FF5 - 4578 - 000	102 - 24 C	FG5 - 6252 - 060	337 -	FG5 - 8707 - 000	995 -
FF5 - 4582 - 000	190 - 1	FG5 - 6253 - 040	335 -	FG5 - 8715 - 060	336 -
FF5 - 4583 - 000	350 - 44	FG5 - 6254 - 000	104 - 37	FG5 - 8924 - 000	991 - 9
FF5 - 4584 - 000	100 - 20	FG5 - 6255 - 000	104 - 38	FG5 - 9000 - 450	950 - 1
FF5 - 4588 - 000	210 - 51	FG5 - 6261 - 370	810 -	FG5 - 9002 - 000	950 - 1
FF5 - 4589 - 000	210 - 52	FG5 - 6266 - 080	330 -	FG5 - 9003 - 000	950 -
FF5 - 4590 - 000	400 - 21	FG5 - 6267 - 060	102 - 33	FG5 - 9021 - 000	992 -
FF5 - 4591 - 000	210 - 53	FG5 - 6274 - 080	336 -	FG5 - 9022 - 000	991 - 16
FF5 - 4593 - 000	355 - 17	FG5 - 6276 - 000	100 - 25	FG5 - 9026 - 000	997 -
FF5 - 4594 - 000	355 - 18	FG5 - 6280 - 140	950 -	FG5 - 9027 - 000	100 - 24
FF5 - 4601 - 000	991 - 2	FG5 - 6281 - 090	950 -	FG5 - 9029 - 000	101 - 17
	995 - 2	FG5 - 6282 - 100	950 -	FG5 - 9030 - 000	101 - 17 G
FF5 - 4602 - 000	991 - 8	FG5 - 6283 - 490	950 - 1	FG5 - 9049 - 030	920 -
	995 - 7	FG5 - 6284 - 110	950 -	FG5 - 9050 - 000	130 - 30
FF5 - 4608 - 000	100 - 21	FG5 - 6285 - 490	950 - 1	FG5 - 9172 - 000	111 - 8
FF5 - 4609 - 000	100 - 21	FG5 - 6286 - 000	940 -	FG5 - 9254 - 000	950 -
FF5 - 4614 - 000	991 - 2	FG5 - 6287 - 000	400 - 22	FG5 - 9259 - 000	111 - 8
FF5 - 4615 - 000	210 - 11	FG5 - 6288 - 000	101 - 17 F	FG5 - 9260 - 000	111 -
FF5 - 4616 - 000	101 - 5	FG5 - 6289 - 000	326 - 11	FG5 - 9261 - 000	111 -
FF5 - 4620 - 000	210 - 54	FG5 - 6290 - 000	110 - 4	FG6 - 0090 - 000	100 - 24
FF5 - 4621 - 000	210 - 55	FG5 - 6291 - 000	111 - 8	FG6 - 0114 - 000	104 - 37
FF5 - 4622 - 000	104 - 10	FG5 - 6297 - 000	210 - 58	FG6 - 1135 - 000	460 - 3
FF5 - 4626 - 000	991 - 8	FG5 - 6298 - 000	110 - 4	FG6 - 1137 - 060	280 -
FF5 - 4628 - 000	102 - 31	FG5 - 6299 - 040	920 -	FG6 - 1139 - 000	310 -
FF5 - 4629 - 000	102 - 32	FG5 - 6300 - 000	111 - 8 C	FG6 - 1145 - 000	100 - 24
FF5 - 4634 - 020	310 - 28	FG5 - 6303 - 030	991 - 9	FG6 - 1146 - 000	100 - 24
FF5 - 6199 - 000	210 - 56		995 - 8	FG6 - 1147 - 000	100 - 24
FF5 - 6207 - 000	810 - 43	FG5 - 6305 - 000	996 - 3	FG6 - 1148 - 000	100 - 24
FF5 - 7236 - 000	280 - 9		997 - 3	FG6 - 1149 - 000	100 - 24
FF5 - 7237 - 000	100 - 20	FG5 - 6316 - 000	104 - 39	FG6 - 1150 - 000	100 - 24
FF5 - 7238 - 000	104 - 34	FG5 - 6319 - 000	101 - 16	FG6 - 1151 - 000	100 - 24
	104 - 35	FG5 - 6321 - 000	110 -	FG6 - 1153 - 030	950 -
FF5 - 7239 - 000	100 - 22	FG5 - 6322 - 000	111 -	FG6 - 1154 - 020	950 -
FF5 - 7240 - 000	100 - 20	FG5 - 6324 - 030	101 - 14	FG6 - 1155 - 000	950 -
FF5 - 7241 - 000	100 - 20	FG5 - 6325 - 370	810 -	FG6 - 1156 - 020	950 -
FF5 - 7246 - 000	102 - 25	FG5 - 6326 - 360	810 -	FG6 - 1157 - 020	950 -
FF5 - 7247 - 000	100 - 20	FG5 - 6331 - 070	910 -	FG6 - 1158 - 020	950 -
FF5 - 7248 - 000	100 - 20	FG5 - 6332 - 000	180 -	FG6 - 1159 - 020	950 -
FF5 - 7901 - 000	300 - 27	FG5 - 6335 - 060	130 -	FG6 - 1161 - 020	950 -
FF9 - 1561 - 000	401 - 15	FG5 - 6338 - 070	130 -	FG6 - 1163 - 000	950 -
FF9 - 1563 - 000	100 - 22	FG5 - 6341 - 070	130 -	FG6 - 1164 - 000	991 -
FF9 - 1565 - 000	335 - 20	FG5 - 6344 - 070	130 -	FG6 - 1165 - 000	180 -
FF9 - 1568 - 000	280 - 9	FG5 - 6347 - 070	130 -	FG6 - 1170 - 000	460 - 4
FF9 - 1570 - 000	280 - 10	FG5 - 6350 - 070	130 -	FG6 - 1171 - 000	191 -
FF9 - 1614 - 000	310 - 29	FG5 - 6353 - 070	130 -	FG6 - 1658 - 000	950 -
FF9 - 1645 - 000	998 - 1	FG5 - 6355 - 000	995 -	FG6 - 1659 - 000	950 - 1
FF9 - 1694 - 000	160 - 5	FG5 - 6356 - 050	991 -	FG6 - 1661 - 550	950 - 1
FF9 - 1713 - 000	210 - 4	FG5 - 6357 - 020	992 -	FG6 - 1662 - 580	950 - 1
	210 - 5	FG5 - 6358 - 000	991 - 16	FG6 - 1665 - 580	950 - 1
FG2 - 9714 - 000	990 -	FG5 - 7105 - 000	280 - 11	FG6 - 1666 - 580	950 - 1
FG2 - 9715 - 000	990 -	FG5 - 7110 - 020	993 -	FG6 - 1668 - 580	950 - 1
FG2 - 9718 - 000	950 - 1	FG5 - 7113 - 450	950 - 1	FG6 - 1669 - 000	991 -
FG3 - 0056 - 000	992 -	FG5 - 7114 - 450	950 - 1	FG6 - 1670 - 000	640 -
FG5 - 1914 - 000	180 - 9	FG5 - 7209 - 000	180 - 10	FG6 - 1671 - 000	102 - 33
FG5 - 5207 - 000	130 - 28	FG5 - 7495 - 000	130 - 29	FG6 - 1673 - 000	640 -
FG5 - 6161 - 020	100 - 23	FG5 - 7496 - 000	990 - 2	FG6 - 1681 - 000	191 -
FG5 - 6166 - 040	400 -	FG5 - 7503 - 000	993 -	FG6 - 1682 - 000	100 - 24
FG5 - 6168 - 080	401 -	FG5 - 7864 - 000	992 -	FG6 - 1683 - 000	100 - 24
FG5 - 6169 - 000	210 - 57	FG5 - 8288 - 050	996 - 4	FG6 - 1684 - 000	100 - 24
FG5 - 6178 - 090	460 -		997 - 4	FG6 - 1685 - 000	100 - 24

D1 NUMERICAL INDEX (GP216/215/211/210/200)

PART NUMBER	FIGURE & KEY NO.	PART NUMBER	FIGURE & KEY NO.	PART NUMBER	FIGURE & KEY NO.
FG6 - 1691 - 000	997 -	FH4 - 5754 - 000	988 - Q111	FN5 - 4073 - 000	400 - 24
FG6 - 1692 - 000	989 -	FH4 - 5756 - 000	988 - Q113	FS1 - 0542 - 000	250 - 24
FG6 - 1696 - 000	326 - 11	FH4 - 5758 - 000	988 - Q131	FS1 - 1189 - 000	103 - 27
FG6 - 1697 - 000	326 -	FH4 - 5760 - 000	988 - Q138		103 - 28
FG6 - 1700 - 000	990 -	FH4 - 5761 - 000	988 - Q164		337 - 14
FG6 - 1703 - 000	991 - 16	FH4 - 5762 - 000	988 - Q165	FS1 - 1202 - 000	103 - 29
FG6 - 1705 - 000	460 -	FH4 - 5763 - 000	988 - Q174		250 - 25
FG6 - 3635 - 000	996 - 5	FH4 - 5764 - 000	988 - Q208	FS1 - 1206 - 000	280 - 12
	997 - 5	FH4 - 5765 - 000	988 - Q209	FS1 - 1402 - 000	103 - 30
FG6 - 4708 - 000	100 - 24	FH4 - 5766 - 000	988 - Q222	FS1 - 1512 - 000	310 - 33
FG6 - 4709 - 000	991 -	FH4 - 5767 - 000	988 - Q223		335 - 23
FG9 - 3598 - 090	280 -	FH4 - 5817 - 000	990 - IC507	FS1 - 1594 - 000	640 - 32
FG9 - 3602 - 000	998 -	FH4 - 5820 - 000	990 - 2A	FS1 - 9005 - 000	101 - 18
FG9 - 3723 - 000	350 -	FH4 - 5831 - 000	989 - IC150	FS2 - 0441 - 000	341 - 18
FG9 - 3724 - 000	355 -	FH4 - 5834 - 000	950 - IC598	FS2 - 1431 - 000	103 - 31
FG9 - 3726 - 000	350 -	FH4 - 5839 - 000	989 - IC4	FS2 - 1486 - 000	335 - 24
FG9 - 3727 - 000	355 -	FH4 - 5843 - 000	950 - IC520	FS2 - 2351 - 000	104 - 45
FG9 - 3731 - 000	998 -	FH4 - 5871 - 000	988 - Q68	FS2 - 2783 - 000	103 - 32
FG9 - 3746 - 000	160 -	FH4 - 5872 - 000	988 - Q132	FS3 - 2976 - 000	335 - 25
FH2 - 5006 - 000	110 - 5	FH4 - 5873 - 000	988 - Q130	FS5 - 0360 - 000	640 - 33
FH2 - 5761 - 020	111 - 9	FH4 - 5875 - 000	988 - Q112	FS5 - 0799 - 000	810 - 46
FH2 - 5762 - 000	111 - 10	FH4 - 9158 - 000	910 - RA400	FS5 - 1164 - 000	310 - 34
FH2 - 5763 - 000	111 - 11	FH4 - 9163 - 000	910 - R417	FS5 - 1209 - 000	120 - 21
FH2 - 5819 - 000	B - J170	FH4 - 9169 - 000	910 - R304		335 - 26
	B - J171	FH6 - 0657 - 000	130 - 31		350 - 48
	B - J172	FH6 - 1245 - 000	250 - 17		355 - 19
FH2 - 5820 - 000	B - J170	FH6 - 1246 - 000	210 - 61	FS5 - 1212 - 000	640 - 34
	B - J171	FH6 - 1248 - 000	310 - 30	FS5 - 1219 - 000	310 - 35
	B - J172	FH6 - 1251 - 000	350 - 45	FS5 - 1261 - 000	103 - 33
FH2 - 5824 - 000	104 - 40	FH6 - 1253 - 000	102 - 34	FS5 - 1586 - 000	280 - 13
	104 - 41	FH6 - 1257 - 000	104 - 42	FS5 - 1589 - 000	102 - 36
FH2 - 5825 - 000	B - J170	FH6 - 1275 - 000	191 - 4		102 - 37
	B - J171	FH6 - 1348 - 000	336 - 9		310 - 36
	B - J172	FH6 - 1409 - 000	190 - 2	FS5 - 1590 - 000	330 - 12
FH2 - 6310 - 000	210 - 59		191 - 4		335 - 27
	B - J111	FH6 - 1410 - 000	330 - 11	FS5 - 1594 - 020	341 - 19
	B - J509	FH6 - 3362 - 000	910 - L101	FS5 - 1595 - 000	120 - 22
FH2 - 6341 - 000	992 - 3	FH6 - 3563 - 000	460 - 5	FS5 - 1596 - 000	337 - 15
FH2 - 6351 - 000	B - J154	FH6 - 3565 - 000	460 - 5	FS5 - 1598 - 000	120 - 23
FH2 - 6355 - 000	B - J200	FH6 - 3580 - 000	989 - 7	FS5 - 2306 - 000	640 - 35
	B - J501	FH6 - 3582 - 000	991 - 10	FS5 - 2310 - 000	250 - 26
FH2 - 6356 - 000	B - J201	FH6 - 3583 - 000	991 - 11	FS5 - 2312 - 000	250 - 27
	B - J502	FH6 - 3584 - 000	991 - 12	FS5 - 2320 - 000	120 - 24
FH2 - 6400 - 000	210 - 60	FH6 - 3724 - 000	991 - 10	FS5 - 2321 - 000	120 - 25
	B - J512		991 - 11	FS5 - 2331 - 000	101 - 19
	B - J1001	FH6 - 3725 - 000	991 - 10	FS5 - 2391 - 000	104 - 46
FH2 - 6402 - 000	210 - 60	FH6 - 8931 - 000	950 - 2	FS5 - 2400 - 000	250 - 28
	B - J512	FH6 - 8938 - 000	950 - 3	FS5 - 2645 - 000	102 - 38
	B - J1001	FH6 - 8939 - 000	950 - 4	FS5 - 2650 - 000	300 - 28
FH3 - 0658 - 000	910 - L201	FH7 - 3314 - 000	400 - 23	FS5 - 2658 - 000	810 - 47
FH3 - 0665 - 000	910 - T104	FH7 - 4507 - 000	103 - 26	FS5 - 2659 - 000	810 - 48
FH3 - 0666 - 000	910 - T104	FH7 - 4509 - 000	103 - 26	FS5 - 2662 - 000	810 - 49
FH3 - 0667 - 000	910 - T102	FH7 - 5394 - 000	104 - 43	FS5 - 3177 - 000	326 - 12
FH3 - 0668 - 000	910 - T201	FH7 - 5494 - 000	250 - 18	FS5 - 3452 - 000	280 - 14
FH3 - 0713 - 000	910 - T103	FH7 - 5635 - 000	250 - 19	FS5 - 3453 - 000	310 - 37
FH3 - 0714 - 000	910 - T103	FH7 - 5636 - 000	310 - 31	FS5 - 3454 - 000	310 - 38
FH3 - 0804 - 000	910 - T101	FH7 - 5637 - 000	250 - 20	FS5 - 3456 - 000	250 - 29
FH3 - 0805 - 000	910 - T101	FH7 - 5639 - 000	310 - 32	FS5 - 6447 - 000	640 - 36
FH3 - 0806 - 000	910 - T701	FH7 - 5640 - 000	335 - 21	FS5 - 6448 - 000	640 - 36
FH3 - 0807 - 000	910 - T701	FH7 - 5641 - 000	350 - 46	FS5 - 8374 - 000	350 - 49
FH3 - 0821 - 000	910 - T501	FH7 - 5678 - 000	250 - 21	FS5 - 8601 - 000	101 - 20
FH3 - 5221 - 000	910 - T300	FH7 - 5680 - 000	250 - 22	FS5 - 8612 - 000	326 - 13
FH3 - 5222 - 000	910 - T400	FH7 - 6254 - 000	110 - 6	FS5 - 8613 - 000	326 - 13
FH3 - 5223 - 000	910 - T502		111 - 12	FS5 - 8614 - 000	326 - 13
FH3 - 7165 - 000	910 - L501	FH7 - 7312 - 000	102 - 35	FS5 - 8615 - 000	326 - 13
FH3 - 7196 - 000	910 - L702		104 - 44	FS5 - 8622 - 000	210 - 67
FH4 - 1253 - 030	910 - Q605		210 - 62	FS5 - 8623 - 000	210 - 67
FH4 - 1281 - 030	920 - Q901		250 - 23	FS5 - 9164 - 000	101 - 15E
FH4 - 1310 - 000	988 - Q240		341 - 17		102 - 39
FH4 - 3684 - 000	988 - Q260		350 - 47		350 - 50
FH4 - 3685 - 000	988 - Q261	FH7 - 7326 - 000	335 - 22		355 - 20
FH4 - 5489 - 000	930 - IC106		337 - 13	FS5 - 9210 - 000	210 - 68
	930 - IC107		810 - 44	FS5 - 9214 - 000	102 - 40
	950 - IC517		810 - 45	FS5 - 9216 - 000	210 - 69
FH4 - 5560 - 000	930 - IC108	FH7 - 7386 - 000	210 - 63	FS5 - 9222 - 000	102 - 41
FH4 - 5717 - 000	950 - IC518		210 - 64	FS5 - 9231 - 000	810 - 50
FH4 - 5718 - 000	950 - IC599	FH7 - 7388 - 000	210 - 65	FS5 - 9397 - 000	101 - 17H
FH4 - 5720 - 000	990 - IC510		210 - 66	FS5 - 9398 - 000	101 - 15F
FH4 - 5721 - 000	990 - IC511	FH7 - 7422 - 000	640 - 31	FS6 - 0535 - 000	250 - 30
FH4 - 5722 - 000	950 - IC573	FH9 - 0585 - 000	940 - Q1604	FS6 - 0536 - 000	250 - 31
FH4 - 5723 - 000	930 - IC102		940 - Q1605	FS6 - 0538 - 000	250 - 32
FH4 - 5725 - 000	992 - IC1		940 - Q1606	FS6 - 0540 - 020	280 - 15
	992 - Q14		940 - Q1607	FS6 - 0541 - 000	280 - 16
	992 - Q19		940 - Q1608	FS6 - 0544 - 000	280 - 17
FH4 - 5753 - 000	988 - Q110		940 - Q1609	FS6 - 0545 - 000	280 - 18

D1 NUMERICAL INDEX (GP216/215/211/210/200)

PART NUMBER	FIGURE & KEY NO.	PART NUMBER	FIGURE & KEY NO.	PART NUMBER	FIGURE & KEY NO.
FS6 - 0546 - 000	280 - 19	FS7 - 0058 - 000	341 - 20	VS1 - 0842 - 002	B - J 21
FS6 - 0548 - 000	810 - 51	FS7 - 0182 - 000	350 - 53		B - J 30
FS6 - 0552 - 000	640 - 37		355 - 21		B - J 32
FS6 - 0553 - 000	640 - 38	FS8 - 8194 - 000	100 - 27		B - J 37
FS6 - 0554 - 000	335 - 28	HG1 - 4268 - 000	993 -		B - J 39
	337 - 16	HG5 - 0616 - 000	993 -		B - J 51
FS6 - 0555 - 000	335 - 29	HG5 - 0886 - 000	993 -		B - J 53
FS6 - 0556 - 000	104 - 37 A	HG5 - 1039 - 000	993 -		B - J 55
	104 - 38 A	HH4 - 2181 - 000	992 - I C 10		B - J 56
FS6 - 0557 - 000	102 - 42		992 - Q 27		B - J 57
FS6 - 0558 - 000	350 - 51	HH5 - 2055 - 000	992 - I C 6		B - J 61
FS6 - 0559 - 020	350 - 52		992 - Q 4		B - J 62
FS6 - 0560 - 000	350 - 53		992 - Q 7		B - J 63
	355 - 21	HH5 - 2058 - 000	950 - I C 5 6 4		B - J 71
FS6 - 0561 - 000	330 - 13	HH7 - 1140 - 000	993 - L 3		B - J 75
FS6 - 0563 - 000	330 - 14	HH7 - 1141 - 000	993 - L T 2		B - J 124
FS6 - 0564 - 000	310 - 39	HH7 - 1174 - 000	993 - L T 1		B - J 144
FS6 - 0565 - 000	310 - 40	HH7 - 1477 - 000	993 - L 1		B - J 518
FS6 - 0566 - 000	310 - 41	HH7 - 2006 - 000	992 - Q 4		B - J 601
FS6 - 0567 - 000	310 - 42	HH7 - 2112 - 000	993 - T 2		B - J 920
FS6 - 0568 - 000	310 - 43	HH7 - 2120 - 000	993 - T 1		B - J 955
FS6 - 0569 - 000	310 - 44	HH7 - 2178 - 000	992 - Q 8		B - JSB FAN
FS6 - 0570 - 000	310 - 45	HH7 - 2179 - 000	993 - T 1	VS1 - 0842 - 003	B - J 31
FS6 - 0572 - 000	310 - 46	HH7 - 2209 - 000	993 - T 2		B - J 34
FS6 - 0573 - 000	310 - 47	HH7 - 2226 - 000	993 - Q 1		B - J 35
FS6 - 0574 - 000	310 - 48	HH7 - 2240 - 000	993 - L 3		B - J 36
FS6 - 0575 - 000	310 - 49	HH7 - 2257 - 000	993 - I C 3		B - J 38
FS6 - 0576 - 000	310 - 50		993 - I C 4		B - J 47
FS6 - 0577 - 000	310 - 51	HH7 - 2298 - 000	993 - L 2		B - J 48
FS6 - 0578 - 000	120 - 26	ME1 - 0001 - 000	100 - 28		B - J 58
FS6 - 0579 - 000	640 - 39	ME1 - 0008 - 000	104 - 50		B - J 59
FS6 - 0580 - 000	640 - 40		910 - 5		B - J 60
FS6 - 0586 - 000	250 - 33	ME1 - 0009 - 000	110 - 7		B - J 65
FS6 - 0590 - 000	330 - 15	ME1 - 0026 - 000	100 - 29		B - J 66
FS6 - 0592 - 000	640 - 41	ME1 - 0058 - 000	100 - 30		B - J 70
FS6 - 2299 - 000	280 - 20	RA1 - 4059 - 000	337 - 18		B - J 74
FS6 - 2300 - 000	810 - 52	RA2 - 0349 - 000	337 - 19		B - J 79
FS6 - 2301 - 020	810 - 53		337 - 20		B - J 80
FS6 - 2302 - 000	810 - 54		337 - 21		B - J 82
FS6 - 2303 - 000	810 - 55	RA9 - 0637 - 000	988 - 2		B - J 89
FS6 - 2304 - 000	130 - 32		989 - 8		B - J 91
FS6 - 2305 - 000	104 - 47	RA9 - 1106 - 000	350 - 61		B - J 92
FS6 - 2306 - 000	102 - 43	RB1 - 6539 - 000	310 - 57		B - J 178
FS6 - 2308 - 000	120 - 27	RB1 - 6588 - 000	310 - 58		B - J 504
FS6 - 2309 - 000	102 - 44	RB1 - 6592 - 000	310 - 59		B - J 998
FS6 - 2310 - 000	101 - 15 G	RH2 - 5158 - 000	111 - 13		B - J 1002
FS6 - 2311 - 000	101 - 17 J	RH4 - 3212 - 000	989 - I C 2 2 0		B - J 1901
FS6 - 2312 - 000	335 - 30	RH4 - 3213 - 000	989 - I C 2 2 1		B - J 9999
FS6 - 2313 - 000	335 - 31	RS1 - 1020 - 000	810 - 59	VS1 - 0842 - 004	B - J 50
FS6 - 2315 - 000	104 - 48	RS1 - 1029 - 000	250 - 34		B - J 77
FS6 - 2316 - 000	337 - 17	RS1 - 1042 - 000	280 - 21		B - J 84
FS6 - 2317 - 000	103 - 34		810 - 60		B - J 108
FS6 - 2318 - 000	640 - 42	RS1 - 2111 - 000	250 - 35		B - J 151
FS6 - 2320 - 020	350 - 54	RS1 - 2347 - 000	337 - 22		B - J 153
FS6 - 2321 - 000	350 - 55		337 - 23		B - J 504
FS6 - 2322 - 000	350 - 56	RS1 - 6030 - 000	337 - 24		B - J 999
FS6 - 2323 - 000	210 - 70		337 - 25		B - J 5041
FS6 - 2324 - 000	210 - 71		337 - 26		B - J 9998
FS6 - 2325 - 000	310 - 52	RS5 - 8380 - 000	337 - 27	VS1 - 0842 - 005	B - J 42
FS6 - 2328 - 020	310 - 53	VD5 - 0221 - 001	810 - 41 A		B - J 73
FS6 - 2329 - 000	310 - 54	VD5 - 0222 - 001	940 - FU1601		B - J 216
FS6 - 2330 - 000	310 - 55	VD7 - 0218 - 001	988 - FU1		B - J 561
FS6 - 2331 - 000	310 - 56		910 - F101	VS1 - 0842 - 006	B - J 44
FS6 - 2336 - 000	510 - 8	VD7 - 0271 - 502	910 - F701		B - J 45
FS6 - 2337 - 000	120 - 28	VD7 - 0644 - 001	110 - 4D		B - J 49
FS6 - 2338 - 000	350 - 57		910 - F101		B - J 54
FS6 - 2340 - 000	350 - 58	VD7 - 1623 - 001	910 - F701		B - J 68
	350 - 59	VD7 - 1627 - 001	930 - FU2		B - J 76
	350 - 60		930 - FU1		B - J 81
FS6 - 2341 - 000	400 - 25	VR1 - 1141 - 103	950 - FU501		B - J 97
FS6 - 2342 - 000	330 - 16	VS1 - 0279 - 002	104 - 51		B - J 99
FS6 - 2343 - 000	810 - 56	VS1 - 0279 - 004			B - J 122
FS6 - 2345 - 000	810 - 57		B - J 179		B - J 217
	810 - 58		B - J 27		B - J 519
FS6 - 2385 - 000	355 - 22		B - J 183		B - J 907
FS6 - 2816 - 000	104 - 49	VS1 - 0279 - 005	B - J 1801	VS1 - 0842 - 007	B - J 28
FS6 - 2900 - 000	310 - 54		B - J 20		B - J 46
FS6 - 8116 - 000	300 - 26 A		B - J 25		B - J 115
FS6 - 8117 - 000	101 - 20		B - J 95	VS1 - 0842 - 008	B - J 174
FS6 - 8118 - 000	101 - 21		B - J 116		B - J 516
FS6 - 8577 - 000	210 - 67	VS1 - 0280 - 002	B - J 94	VS1 - 0842 - 009	B - J 117
FS6 - 8578 - 000	101 - 20	VS1 - 0280 - 004	B - J 26		B - J 526
FS6 - 8579 - 000	210 - 67		B - J 27	VS1 - 0842 - 010	B - J 102
FS6 - 8580 - 000	101 - 20	VS1 - 0280 - 005	B - J 95		B - J 112
FS6 - 8581 - 000	101 - 21	VS1 - 0842 - 002	B - J 1		B - J 209

D1 NUMERICAL INDEX (GP216/215/211/210/200)

PART NUMBER	FIGURE & KEY NO.	PART NUMBER	FIGURE & KEY NO.	PART NUMBER	FIGURE & KEY NO.
VS1 - 0842 - 010	B - J 5 19	VS1 - 5057 - 003	B - J 9999	VS3 - 5122 - 003	110 - 2A
VS1 - 0842 - 011	B - J 69	VS1 - 5057 - 004	104 - 54		110 - 3A
	B - J 105		180 - 11	VS3 - 5122 - 004	B - J 2
	B - J 106		210 - 46A	VS3 - 5202 - 009	B - J 184
VS1 - 0842 - 012	B - J 33		B - J 50	VS4 - 0001 - 002	B - F170
	B - J 103		B - J 77		B - J 1
	B - J 107		B - J 84		B - J 29
	B - J 110		B - J 9998	VS4 - 0001 - 004	B - J 24
	B - J1601	VS1 - 5057 - 005	104 - 55	VS4 - 0001 - 006	B - J 23
VS1 - 0842 - 013	B - J 109		335 - 18B	VS4 - 0002 - 002	B - F170
	B - J 114		B - J 42		B - J 1
VS1 - 0842 - 014	B - J 104		B - J 73		B - J 9
	B - J 176	VS1 - 5057 - 006	101 - 17K		B - J 11
	B - J 517		102 - 22B		B - J 29
	B - J 905		102 - 46	VS4 - 0002 - 004	B - J 24
VS1 - 0842 - 015	B - J 113		104 - 37B	VS4 - 0002 - 006	B - J 23
	B - J 918		104 - 56	VS9 - 0033 - 050	988 - 3
VS1 - 0852 - 010	B - J 102		180 - 6C	VS9 - 5009 - 020	B - J 102
	B - J 209		180 - 12		B - J 209
VS1 - 0852 - 011	B - J 105		350 - 41C	VS9 - 5009 - 022	B - J 105
VS1 - 0852 - 012	B - J 107		B - J 44	VS9 - 5009 - 024	B - J 107
	B - J1601		B - J 45		B - J1601
VS1 - 0852 - 013	B - J 114		B - J 49	VS9 - 5009 - 026	B - J 114
VS1 - 0852 - 014	B - J 517		B - J 54	VS9 - 5009 - 028	B - J 517
	B - J 905		B - J 68		B - J 905
VS1 - 0852 - 015	B - J 113		B - J 76	VS9 - 5009 - 030	B - J 113
VS1 - 0861 - 002	B - J 603		B - J 97	VT2 - 0013 - 180	992 - 4
VS1 - 0861 - 004	B - J 601		B - J 99	VT2 - 5020 - 010	130 - 33
VS1 - 0861 - 006	B - J 602	VS1 - 5057 - 007	104 - 57	WA3 - 6695 - 000	988 - Q141
VS1 - 0861 - 007	B - J 602		180 - 13	WA3 - 8180 - 000	989 - IC100
VS1 - 0978 - 002	B - J 603		B - J 28	WA3 - 8311 - 000	988 - 4
	B - J 919		B - J 46	WC8 - 5051 - 000	101 - 22
	B - J2100	VS1 - 5057 - 008	B - J 174	WD3 - 5007 - 000	111 - 14
VS1 - 0978 - 003	B - J 915	VS1 - 5057 - 011	336 - 6A	WD3 - 5063 - 000	111 - 14
	B - J 916		350 - 62	WD9 - 0044 - 000	988 - FU1
	B - J1761		B - J 69	WD9 - 5037 - 000	910 - FHLD101
VS1 - 0978 - 006	B - J1740 - 1	VS1 - 5057 - 012	341 - 21		910 - FHLD701
	B - J1740 - 2		B - J 33	WE8 - 5021 - 000	210 - 73
VS1 - 0978 - 015	B - J 917	VS1 - 5057 - 014	102 - 47		210 - 74
VS1 - 5057 - 002	104 - 52		B - J 176		992 - 5
	104 - 53	VS1 - 5730 - 005	B - J 180	WE8 - 5113 - 000	104 - 24A
	180 - 6A	VS1 - 5824 - 002	B - J 57		104 - 25A
	190 - 3	VS1 - 5824 - 003	B - J 67		104 - 58
	191 - 5		B - J 92		191 - 6
	210 - 72		B - J 93		210 - 46B
	250 - 36		B - J9999		210 - 47B
	330 - 9A	VS1 - 5824 - 004	B - J 560		991 - 7B
	330 - 17		B - J9998	WE8 - 5118 - 000	991 - 16C
	335 - 18A	VS3 - 0108 - 002	B - J 179	WE8 - 5141 - 000	104 - 59
	336 - 10	VS3 - 0108 - 004	B - J 183	WE8 - 5184 - 000	104 - 60
	350 - 41A	VS3 - 0108 - 005	B - J 20	WE8 - 5204 - 000	104 - 23A
	B - J 21	VS3 - 0269 - 002	B - J 179	WE8 - 5402 - 000	400 - 26
	B - J 30	VS3 - 0276 - 002	B - J 2	WE8 - 5459 - 000	104 - 61
	B - J 32	VS3 - 5083 - 002	B - J 2	WE8 - 5496 - 000	102 - 48
	B - J 37		B - J 150		104 - 62
	B - J 39		B - J 152	WG1 - 0157 - 000	991 - 16D
	B - J 51		B - J 181	WG1 - 5229 - 000	992 - LED1
	B - J 53		B - J 182	WG1 - 5251 - 000	988 - LED6
	B - J 55		B - J 215		988 - LED1
	B - J 56	VS3 - 5083 - 003	B - J 210		988 - LED3
	B - J 57	VS3 - 5083 - 004	B - J 1		988 - LED4
	B - J 61		B - J 142		988 - LED5
	B - J 62		B - J 143	WG1 - 5301 - 000	920 - LED998
	B - J 71		B - J 214	WG1 - 5426 - 000	930 - LED100
	B - J 75		B - J 521	WK1 - 5019 - 000	950 - BAT501
	B - JSB FAN	VS3 - 5083 - 005	B - J 141	WK1 - 5102 - 000	992 - BAT1
VS1 - 5057 - 003	102 - 19A		B - J 180	WR1 - 0055 - 000	920 - BZ901
	102 - 22A		B - J 201	WS3 - 0437 - 000	B - J 20
	102 - 45		B - J 205		B - J 25
	180 - 6B		B - J 208		B - J 26
	180 - 8A		B - J 212		B - J 27
	210 - 47A		B - J 505		B - J 95
	250 - 37		B - J 801		B - J 116
	350 - 41B	VS3 - 5083 - 006	B - J 213		B - J1801
	991 - 7A	VS3 - 5083 - 007	B - J 101	WS3 - 0469 - 000	B - J 179
	995 - 6A		B - J 206		B - J 179
	B - J 38	VS3 - 5083 - 008	B - J 802	WS3 - 0885 - 000	B - J 183
	B - J 60	VS3 - 5083 - 010	B - J 204		B - J 20
	B - J 66		B - J 211		B - J 26
	B - J 79	VS3 - 5121 - 002	B - J 3		B - J 94
	B - J 89		B - J 4		B - J 95
	B - J 91	VS3 - 5121 - 003	B - J1751		B - J 179
	B - J 92	VS3 - 5121 - 004	B - J 2		B - J 183
	B - J 93	VS3 - 5122 - 002	B - J 3	WS3 - 1141 - 000	B - J 179
	B - J 178		B - J 4	WS3 - 1273 - 000	B - J 2

D1 NUMERICAL INDEX (GP216/215/211/210/200)

PART NUMBER	FIGURE & KEY NO.	PART NUMBER	FIGURE & KEY NO.	PART NUMBER	FIGURE & KEY NO.
WS3 - 5016 - 000	B - J 27	WT2 - 5041 - 000	104 - 66	XA9 - 0724 - 000	335 - 34
WS3 - 5160 - 000	B - J 1		330 - 9B	XA9 - 0859 - 000	210 - 79
	B - J 101		337 - 28	XB1 - 1300 - 609	210 - 501
	B - J 141		341 - 12A	XB1 - 1301 - 007	988 - 501
	B - J 142		350 - 41D		989 - 501
	B - J 143	WT2 - 5043 - 000	400 - 27	XB1 - 2200 - 407	810 - 501
	B - J 150	WT2 - 5056 - 000	103 - 36	XB1 - 2200 - 409	180 - 501
	B - J 152		336 - 12	XB1 - 2300 - 407	104 - 501
	B - J 180		336 - 12		130 - 501
	B - J 181	WT2 - 5065 - 000	350 - 64		210 - 502
	B - J 182	WT2 - 5134 - 000	996 - 7	XB1 - 2300 - 409	104 - 502
	B - J 201		997 - 7		300 - 501
	B - J 204	WT2 - 5136 - 000	335 - 32		335 - 501
	B - J 205	WT2 - 5156 - 000	101 - 25		350 - 501
	B - J 206	WT2 - 5169 - 000	210 - 46C		640 - 501
	B - J 208	WT2 - 5178 - 000	250 - 39	XB1 - 2300 - 509	280 - 501
	B - J 210	WT2 - 5487 - 000	988 - 7		810 - 502
	B - J 211	WT2 - 5488 - 000	988 - 8		810 - 503
	B - J 212	WT2 - 5496 - 000	104 - 38B		810 - 504
	B - J 213		210 - 75		810 - 505
	B - J 214		910 - 9	XB1 - 2300 - 605	640 - 502
	B - J 215	WT2 - 5498 - 000	210 - 76	XB1 - 2300 - 607	104 - 503
	B - J 505		250 - 40		104 - 504
	B - J 521		341 - 24		110 - 501
	B - J 802		350 - 65		111 - 501
WS3 - 5254 - 000	B - J 2		810 - 61		400 - 501
WS3 - 5291 - 000	B - J 2	WT2 - 5499 - 000	130 - 35		910 - 501
	B - J 3	X71 - 9310 - 000	640 - 22F		930 - 501
	B - J 4	XA9 - 0134 - 000	102 - 23A		991 - 501
	B - J 1751	XA9 - 0265 - 000	100 - 31		991 - 502
WS3 - 5292 - 000	110 - 2B	XA9 - 0425 - 000	401 - 16		991 - 503
	110 - 3B	XA9 - 0591 - 000	130 - 36		995 - 501
	B - J 2		130 - 37		998 - 501
	B - J 3		130 - 38	XB1 - 2300 - 609	102 - 501
	B - J 4		180 - 14		102 - 502
WS3 - 5301 - 000	B - J 180		310 - 60		103 - 501
WS3 - 5358 - 000	B - J 57		310 - 61		130 - 502
	B - J 67		336 - 13		130 - 503
	B - J 92		640 - 43		210 - 503
	B - J 93		991 - 14		300 - 502
	B - J 560		995 - 10		330 - 501
	B - J9998	XA9 - 0596 - 000	130 - 39		336 - 501
	B - J9999		130 - 40		350 - 502
WS3 - 5370 - 000	B - J 526	XA9 - 0605 - 000	100 - 24H	XB1 - 2300 - 805	640 - 503
WS4 - 0217 - 000	B - F170		350 - 66	XB1 - 2301 - 009	103 - 502
	B - J 1		355 - 23	XB1 - 2400 - 406	210 - 504
	B - J 9	XA9 - 0626 - 000	100 - 32	XB1 - 2400 - 407	210 - 505
	B - J 11		101 - 17L	XB1 - 2400 - 409	103 - 503
	B - J 23		250 - 41	XB1 - 2400 - 606	103 - 504
	B - J 24		280 - 22	XB1 - 2400 - 607	210 - 506
	B - J 29		335 - 33	XB1 - 2400 - 609	336 - 502
WS4 - 0219 - 000	B - F170		337 - 29		810 - 506
	B - J 1		341 - 25	XB1 - 2400 - 809	120 - 501
	B - J 23		350 - 67	XB1 - 2401 - 609	103 - 505
	B - J 24		355 - 24		160 - 501
	B - J 29		400 - 28	XB1 - 2402 - 509	100 - 501
WS9 - 0104 - 000	988 - 5		401 - 17		104 - 505
	989 - 9	XA9 - 0629 - 000	100 - 24J	XB1 - 3400 - 806	130 - 504
WS9 - 0139 - 000	989 - 10		101 - 26	XB2 - 5300 - 609	400 - 502
WS9 - 0239 - 000	988 - 6		102 - 50	XB2 - 7300 - 606	280 - 502
WS9 - 5038 - 000	991 - 16A		103 - 37		810 - 507
	991 - 16B		103 - 38		810 - 508
WT2 - 0434 - 010	250 - 38		104 - 67	XB2 - 7300 - 607	341 - 501
	336 - 11		210 - 77		991 - 504
WT2 - 0491 - 000	910 - 6		330 - 19		991 - 504
WT2 - 0494 - 000	102 - 49	XA9 - 0633 - 000	210 - 78		991 - 505
	104 - 63	XA9 - 0642 - 000	350 - 68		995 - 502
	130 - 34		355 - 25		996 - 501
WT2 - 0495 - 000	104 - 37C	XA9 - 0643 - 000	250 - 42		997 - 501
	130 - 28A	XA9 - 0679 - 000	100 - 33	XB2 - 7301 - 206	810 - 509
WT2 - 5011 - 000	101 - 23		991 - 15	XB2 - 7400 - 607	104 - 506
	104 - 64		991 - 15		110 - 502
	104 - 65		995 - 11		111 - 502
	330 - 18		996 - 8		996 - 502
	341 - 22		997 - 8		997 - 502
	910 - 7	XA9 - 0685 - 000	100 - 34	XB2 - 8300 - 607	810 - 510
	991 - 13	XA9 - 0714 - 000	640 - 44		810 - 511
	995 - 9	XA9 - 0722 - 000	101 - 27	XB2 - 8401 - 009	104 - 507
	996 - 6		104 - 68	XB4 - 6200 - 807	460 - 501
	997 - 6	XA9 - 0724 - 000	102 - 51	XB4 - 7200 - 409	130 - 505
WT2 - 5026 - 000	341 - 23		102 - 52	XB4 - 7300 - 609	104 - 508
	350 - 63		102 - 53		300 - 503
WT2 - 5031 - 000	101 - 24		104 - 69		326 - 501
	910 - 8		104 - 70		400 - 503
WT2 - 5041 - 000	103 - 35		310 - 62	XB4 - 7300 - 809	460 - 502

D1 NUMERICAL INDEX (GP216/215/211/210/200)

PART NUMBER	FIGURE & KEY NO.	PART NUMBER	FIGURE & KEY NO.	PART NUMBER	FIGURE & KEY NO.
XB4 - 7301 - 609	640 - 504	XZ9 - 0407 - 000	100 - 21B		
XB4 - 7400 - 809	100 - 502	XZ9 - 0428 - 000	130 - 41		
	100 - 503				
	120 - 502				
	510 - 501				
XB4 - 7401 - 007	326 - 502				
XB4 - 7401 - 209	160 - 502				
	300 - 504				
XB6 - 1300 - 608	210 - 507				
XB6 - 2300 - 609	250 - 501				
XB6 - 2400 - 609	250 - 502				
XB6 - 7300 - 607	110 - 503				
	996 - 503				
	997 - 503				
XB6 - 7300 - 609	210 - 508				
	401 - 501				
XB6 - 7400 - 509	103 - 506				
XB6 - 7501 - 209	103 - 507				
	103 - 508				
XB7 - 1030 - 149	400 - 504				
XD1 - 1106 - 225	810 - 512				
XD1 - 1106 - 234	250 - 503				
XD1 - 1108 - 215	310 - 501				
XD1 - 1108 - 228	341 - 502				
XD1 - 4200 - 302	104 - 509				
	104 - 510				
XD2 - 1100 - 322	810 - 513				
	810 - 514				
XD2 - 1100 - 502	330 - 502				
	810 - 515				
XD2 - 1100 - 642	103 - 509				
	335 - 502				
	350 - 503				
	355 - 501				
	810 - 516				
XD2 - 1200 - 807	401 - 502				
XD2 - 2100 - 402	310 - 502				
XD2 - 2100 - 502	326 - 503				
XD2 - 2100 - 602	120 - 503				
XD2 - 2100 - 802	250 - 504				
	310 - 503				
	640 - 505				
	810 - 517				
XD3 - 1200 - 102	250 - 505				
XD3 - 1200 - 122	310 - 504				
XD3 - 1300 - 102	104 - 511				
	350 - 504				
XD3 - 2160 - 162	120 - 504				
XD3 - 2200 - 142	250 - 506				
	335 - 503				
XD3 - 2300 - 122	210 - 509				
XD3 - 2400 - 402	335 - 504				
XD9 - 0103 - 000	280 - 23				
	335 - 35				
XD9 - 0104 - 000	120 - 29				
	310 - 63				
	335 - 36				
	337 - 30				
	350 - 69				
XD9 - 0108 - 000	280 - 24				
	341 - 26				
XD9 - 0121 - 000	330 - 20				
XD9 - 0131 - 000	250 - 43				
	280 - 25				
	310 - 64				
	640 - 45				
XD9 - 0134 - 000	120 - 30				
XD9 - 0137 - 000	103 - 39				
	250 - 44				
	310 - 65				
	341 - 27				
	401 - 18				
XF9 - 0393 - 000	326 - 14				
XF9 - 0567 - 000	210 - 80				
XF9 - 0568 - 000	310 - 66				
XG3 - 8012 - 355	341 - 28				
XG9 - 0111 - 000	640 - 22G				
XG9 - 0208 - 000	280 - 26				
XG9 - 0218 - 000	640 - 46				
XG9 - 0250 - 000	103 - 40				
	250 - 45				
	280 - 26				
XG9 - 0262 - 000	640 - 47				
XG9 - 0286 - 000	810 - 62				
XH9 - 0059 - 000	103 - 41				

D2 NUMERICAL INDEX (Image Editing Unit-C1)

PART NUMBER	FIGURE & KEY NO.	PART NUMBER	FIGURE & KEY NO.	PART NUMBER	FIGURE & KEY NO.
FA3 - 9821 - 000	C10 - 1				
FB3 - 8668 - 000	C10 - 2				
FB3 - 8669 - 000	C10 - 3				
FB3 - 8670 - 000	C10 - 4				
FB3 - 8671 - 000	C10 - 5				
FB3 - 8673 - 000	C10 - 6				
FB3 - 8674 - 000	C10 - 7				
FB3 - 8675 - 000	C10 - 8				
FB3 - 8676 - 000	C10 - 15 A				
FB3 - 8677 - 000	C10 - 9				
FB3 - 9840 - 000	C10 - 10				
FB3 - 9841 - 000	C10 - 11				
FB3 - 9842 - 000	C10 - 12				
FC1 - 6214 - 000	C10 - 13				
FF2 - 6351 - 000	C10 - 14				
FF3 - 2048 - 000	C96 - 1				
FF5 - 5953 - 000	C10 - 15				
FG2 - 3365 - 000	C93 -				
FG2 - 3821 - 000	C10 - 16				
FG2 - 8543 - 000	C10 - 17				
FG2 - 8544 - 000	C96 -				
FG2 - 8545 - 000	C10 - 18				
FH4 - 1195 - 000	C93 - I C8				
FH4 - 5560 - 000	C96 - Q3				
VD7 - 0333 - 150	C96 - FU1				
WE8 - 5496 - 000	C10 - 19				
WR1 - 0098 - 000	C93 - BZ				
XB1 - 2400 - 607	C10 - 501				
XB1 - 2402 - 007	C10 - 502				
XB4 - 7301 - 207	C10 - 503				

D3 NUMERICAL INDEX (GP Expansion Board Base Unit-B1)

PART NUMBER	FIGURE & KEY NO.	PART NUMBER	FIGURE & KEY NO.	PART NUMBER	FIGURE & KEY NO.
FB3 - 2366 - 000	F11 - 2 A				
FB3 - 2370 - 000	F10 - 1				
FB3 - 3182 - 000	F10 - 2				
FF3 - 1580 - 000	F11 - 1				
FF5 - 4595 - 000	F11 - 2				
FF5 - 4619 - 000	F10 - 1				
FF5 - 4627 - 000	F10 - 2				
FG5 - 6305 - 000	F10 - 3				
FG5 - 7496 - 000	F92 -				
FG5 - 7502 - 070	F91 - 1				
FG5 - 8288 - 050	F91 -				
FG5 - 9157 - 000	F91 -				
FG6 - 3635 - 000	F11 -				
FG6 - 3636 - 000	F11 -				
FH2 - 6355 - 000	F91 - 2				
FH2 - 6356 - 000	F91 - 3				
FH2 - 6403 - 000	F91 - 2				
FH2 - 6404 - 000	F91 - 3				
FH3 - 0778 - 000	F91 - T 1				
FH3 - 2557 - 000	F11 - 3				
FH3 - 2558 - 000	F11 - 3				
FH4 - 5816 - 000	F91 - I C 5 1 4				
FH4 - 5820 - 000	F92 - I C 6 0 1				
FH6 - 3449 - 000	F91 - X 1				
WE8 - 5118 - 000	F10 - 4				
WE8 - 5183 - 000	F10 - 5				
WE8 - 5452 - 000	F11 - 1 A				
WG1 - 0157 - 000	F91 - LED0				
	F91 - LED1				
	F91 - LED2				
	F91 - LED3				
WT2 - 0317 - 010	F10 - 6				
WT2 - 5011 - 000	F10 - 7				
	F11 - 4				
WT2 - 5134 - 000	F10 - 8				
XA9 - 0679 - 000	F10 - 9				
XB1 - 2300 - 607	F11 - 5 0 1				
XB2 - 7400 - 607	F10 - 5 0 1				
XB6 - 7300 - 607	F10 - 5 0 2				

D4 NUMERICAL INDEX (GP Expansion Board Base Unit-A1)

PART NUMBER	FIGURE & KEY NO.	PART NUMBER	FIGURE & KEY NO.	PART NUMBER	FIGURE & KEY NO.
FB3 - 3171 - 000	F12 - 1				
FB3 - 3173 - 000	F12 - 2				
FB3 - 3174 - 000	F12 - 3				
FB3 - 3191 - 000	F12 - 7 A				
FB3 - 9445 - 000	F12 - 1				
FF3 - 1324 - 000	F12 - 5				
FF3 - 1444 - 000	F12 - 4				
FF3 - 1445 - 000	F12 - 5				
FF5 - 4601 - 000	F12 - 6				
FF5 - 4602 - 000	F12 - 7				
FF5 - 4614 - 000	F12 - 6				
FF5 - 4626 - 000	F12 - 7				
FG2 - 9714 - 001	F12 - 8				
FG2 - 9715 - 001	F12 - 8				
FG5 - 6303 - 030	F12 - 9				
FG5 - 8707 - 000	F12 -				
FG5 - 8924 - 000	F12 - 9				
FG5 - 9041 - 000	F12 -				
VS1 - 5057 - 003	F12 - 5 A				
WE8 - 5113 - 000	F12 - 5 B				
WT2 - 5011 - 000	F12 - 10				
XA9 - 0591 - 000	F12 - 11				
XA9 - 0679 - 000	F12 - 12				
XB1 - 2300 - 407	F12 - 501				
XB1 - 2300 - 607	F12 - 502				
	F12 - 503				
XB2 - 7300 - 607	F12 - 504				
	F12 - 505				
XB2 - 7400 - 607	F12 - 506				

D5 NUMERICAL INDEX (Multi-PDL Printer Board-B1 USA Printer Board-P3 USA)

PART NUMBER	FIGURE & KEY NO.	PART NUMBER	FIGURE & KEY NO.	PART NUMBER	FIGURE & KEY NO.
FB3 - 2370 - 000	F13 - 1				
FB3 - 2379 - 000	F13 - 2				
FF3 - 0520 - 000	F94 - 1				
	F95 - 1				
FF5 - 4598 - 000	F94 - 2				
FF5 - 4599 - 000	F95 - 2				
FG5 - 6305 - 000	F13 - 3				
FG5 - 7496 - 000	F13 - 4				
FG5 - 8288 - 050	F13 - 5				
FG5 - 8698 - 030	F94 -				
FG5 - 8699 - 000	F95 -				
FG6 - 3635 - 000	F13 - 6				
FH4 - 1310 - 000	F94 - Q2 4 0				
FH4 - 3684 - 000	F94 - Q2 6 0				
	F95 - Q2 6 0				
FH4 - 3685 - 000	F94 - Q2 6 1				
	F95 - Q2 6 1				
FH4 - 5753 - 000	F94 - Q1 1 0				
	F95 - Q1 1 0				
FH4 - 5754 - 000	F94 - Q1 1 1				
	F95 - Q1 1 1				
FH4 - 5756 - 000	F94 - Q1 1 3				
	F95 - Q1 1 3				
FH4 - 5758 - 000	F94 - Q1 3 1				
	F95 - Q1 3 1				
FH4 - 5760 - 000	F94 - Q1 3 8				
	F95 - Q1 3 8				
FH4 - 5761 - 000	F94 - Q1 6 4				
	F95 - Q1 6 4				
FH4 - 5762 - 000	F94 - Q1 6 5				
	F95 - Q1 6 5				
FH4 - 5763 - 000	F94 - Q1 7 4				
	F95 - Q1 7 4				
FH4 - 5764 - 000	F94 - Q2 0 8				
	F95 - Q2 0 8				
FH4 - 5765 - 000	F94 - Q2 0 9				
	F95 - Q2 0 9				
FH4 - 5766 - 000	F94 - Q2 2 2				
	F95 - Q2 2 2				
FH4 - 5767 - 000	F94 - Q2 2 3				
	F95 - Q2 2 3				
FH4 - 5871 - 000	F94 - Q 6 8				
	F95 - Q 6 8				
FH4 - 5872 - 000	F94 - Q1 3 2				
	F95 - Q1 3 2				
FH4 - 5873 - 000	F94 - Q1 3 0				
	F95 - Q1 3 0				
FH4 - 5875 - 000	F94 - Q1 1 2				
	F95 - Q1 1 2				
RA9 - 0637 - 000	F94 - 3				
	F95 - 3				
VD5 - 0222 - 001	F94 - FU 1				
VS9 - 0033 - 050	F94 - 4				
WA3 - 6695 - 000	F94 - Q1 4 1				
	F95 - Q1 4 1				
WD9 - 0044 - 000	F94 - FU 1				
WG1 - 5229 - 000	F94 - LED6				
	F95 - LED6				
WG1 - 5251 - 000	F94 - LED1				
	F94 - LED3				
	F94 - LED4				
	F94 - LED5				
	F95 - LED1				
	F95 - LED3				
	F95 - LED4				
	F95 - LED5				
WS9 - 0104 - 000	F94 - 5				
	F95 - 4				
WS9 - 0239 - 000	F94 - 6				
	F95 - 5				
WT2 - 0317 - 010	F13 - 7				
WT2 - 5011 - 000	F13 - 8				
WT2 - 5134 - 000	F13 - 9				
WT2 - 5487 - 000	F94 - 7				
	F95 - 6				
WT2 - 5488 - 000	F94 - 8				
	F95 - 7				
XA9 - 0679 - 000	F13 - 10				
XB1 - 1301 - 007	F94 - 5 0 1				
	F95 - 5 0 1				
XB2 - 7300 - 607	F13 - 5 0 1				
XB2 - 7400 - 607	F13 - 5 0 2				
XB6 - 7300 - 607	F13 - 5 0 3				

D6 NUMERICAL INDEX (GP Expansion Board Base Unit-B2)

PART NUMBER	FIGURE & KEY NO.	PART NUMBER	FIGURE & KEY NO.	PART NUMBER	FIGURE & KEY NO.
FE1 - 4897 - 000	F96 - 1 F97 - 1 F98 - 1	XB1 - 2300 - 607 XB2 - 7300 - 607	F14 - 5 0 1 F96 - 5 0 1 F97 - 5 0 1 F98 - 5 0 1		
FE1 - 4900 - 000	F96 - 2 F97 - 2 F98 - 2	XB2 - 7400 - 607	F14 - 5 0 2 F96 - 5 0 2 F97 - 5 0 2 F98 - 5 0 2		
FE1 - 4901 - 000	F96 - 3 F97 - 3 F98 - 3	XB2 - 7400 - 806 XB6 - 7300 - 607	F14 - 5 0 3 F14 - 5 0 4 F96 - 5 0 3 F97 - 5 0 3 F98 - 5 0 3		
FE1 - 4902 - 000	F96 - 4 F97 - 4 F98 - 4				
FE1 - 4903 - 000	F96 - 5 F97 - 5 F98 - 5				
FE1 - 4904 - 000	F96 - 6 F97 - 6 F98 - 6				
FE1 - 4905 - 000	F96 - 7 F97 - 7 F98 - 7				
FE1 - 4920 - 000	F98 - 8				
FE1 - 4921 - 000	F97 - 8				
FE1 - 4922 - 000	F96 - 8 F97 - 9 F98 - 9				
FE1 - 4923 - 000	F96 - 9 F97 - 10 F98 - 10				
FE1 - 4924 - 000	F97 - 11 F98 - 11				
FE1 - 4925 - 000	F97 - 12 F98 - 12				
FE1 - 4957 - 000	F96 - 8 F97 - 9 F98 - 9				
FE1 - 4958 - 000	F96 - 8 F97 - 9 F98 - 9				
FE1 - 4959 - 000	F96 - 8 F97 - 9 F98 - 9				
FE1 - 4960 - 000	F96 - 8 F97 - 9 F98 - 9				
FE1 - 4961 - 000	F96 - 9 F97 - 10 F98 - 10				
FE1 - 4962 - 000	F96 - 9 F97 - 10 F98 - 10				
FE1 - 4963 - 000	F96 - 9 F97 - 10 F98 - 10				
FE1 - 4964 - 000	F96 - 9 F97 - 10 F98 - 10				
FE1 - 4976 - 000	F96 - 10				
FE1 - 4977 - 000	F96 - 11				
FE1 - 4978 - 000	F96 - 8 F97 - 9 F98 - 9				
FE1 - 4979 - 000	F96 - 9 F97 - 10 F98 - 10				
FE1 - 5037 - 000	F96 - 12				
FG5 - 7496 - 000	F14 - 1				
FG6 - 0676 - 000	F93 -				
FG6 - 3635 - 000	F14 - 2				
FG6 - 3636 - 000	F14 - 2				
FH2 - 6355 - 000	F14 - 3				
FH2 - 6356 - 000	F14 - 4				
FH2 - 6403 - 000	F14 - 3				
FH2 - 6404 - 000	F14 - 4				
FH4 - 5816 - 000	F93 - Q5 1 4				
FH6 - 3449 - 000	F93 - X 1				
WE8 - 5118 - 000	F14 - 5				
WE8 - 5183 - 000	F14 - 6				
WG1 - 0157 - 000	F93 - L E D 1 F93 - L E D 2 F93 - L E D 3 F93 - L E D 4				
XA9 - 0896 - 000	F96 - 13 F97 - 13 F98 - 13				

D7 NUMERICAL INDEX (G3 FAX Board-C1)

PART NUMBER	FIGURE & KEY NO.	PART NUMBER	FIGURE & KEY NO.	PART NUMBER	FIGURE & KEY NO.
FB3 - 3175 - 000	G10 - 1				
FB3 - 9656 - 000	G10 - 2				
FF3 - 1312 - 000	G91 - 1				
FF3 - 1442 - 000	G91 - FT 1				
FF3 - 1443 - 000	G91 - 1				
FF3 - 1607 - 000	G90 - J 8				
FF3 - 2018 - 000	G90 - 1				
FF3 - 2019 - 000	G91 - FT 1				
FG5 - 6173 - 000	G90 -				
FG5 - 6174 - 000	G10 - 3				
FG5 - 6357 - 020	G90 -				
FG5 - 6358 - 000	G10 - 3				
FG5 - 7110 - 020	G91 -				
FG5 - 7503 - 000	G91 -				
FG5 - 7864 - 000	G90 -				
FG5 - 8517 - 020	G90 -				
FG5 - 8519 - 000	G10 - 3				
FG5 - 8520 - 000	G90 -				
FG6 - 0107 - 000	G10 - 3				
FH2 - 6341 - 000	G90 - 2				
FH4 - 5725 - 000	G90 - Q1 4				
	G90 - Q1 9				
FH6 - 3582 - 000	G10 - 4				
FH6 - 3583 - 000	G10 - 5				
	G10 - 5				
	G10 - 6				
FH6 - 3584 - 000	G91 -				
HG5 - 0616 - 000	G91 -				
HG5 - 0886 - 000	G91 -				
HG5 - 1224 - 000	G91 -				
HH2 - 2484 - 000	G10 - 7				
HH4 - 2181 - 000	G90 - Q2 7				
HH5 - 2055 - 000	G90 - Q 4				
	G90 - Q 7				
HH7 - 1140 - 000	G91 - L 3				
HH7 - 1141 - 000	G91 - LT 2				
HH7 - 1174 - 000	G91 - LT 1				
HH7 - 2006 - 000	G90 - Q 4				
HH7 - 2178 - 000	G90 - Q 8				
HH7 - 2179 - 000	G91 - T 1				
HH7 - 2209 - 000	G91 - T 2				
HH7 - 2226 - 000	G91 - Q1				
HH7 - 2240 - 000	G91 - L 3				
HH7 - 2298 - 000	G91 - L 2				
HH7 - 2335 - 000	G91 - Q1				
VT2 - 0013 - 180	G90 - 3				
WE8 - 5021 - 000	G90 - 4				
WE8 - 5118 - 000	G10 - 3 A				
WE8 - 5496 - 000	G10 - 3 B				
WG1 - 0157 - 000	G90 - LED 1				
WK1 - 5102 - 000	G90 - BAT 1				
WS1 - 5370 - 000	G10 - 3 C				
WS9 - 5038 - 000	G10 - 3 C				
XB1 - 2300 - 607	G10 - 5 0 1				
XB2 - 7400 - 607	G10 - 5 0 2				

D8 NUMERICAL INDEX (Super G3 FAX Board-D1)

PART NUMBER	FIGURE & KEY NO.	PART NUMBER	FIGURE & KEY NO.	PART NUMBER	FIGURE & KEY NO.
FB3 - 3175 - 000	G11 - 1				
FB4 - 6724 - 000	G11 - 2				
FF3 - 2018 - 000	G92 - 1				
FF3 - 2054 - 000	G92 - 1				
FF3 - 2055 - 000	G92 - 2				
FG3 - 0056 - 000	G92 -				
FG5 - 9021 - 000	G92 -				
FG5 - 9022 - 000	G11 - 3				
FG6 - 1703 - 000	G11 - 3				
FH2 - 6341 - 000	G92 - 3				
FH4 - 5725 - 000	G92 - Q19				
FH6 - 3582 - 000	G11 - 4				
FH6 - 3583 - 000	G11 - 5				
FH6 - 3584 - 000	G11 - 6				
FH6 - 3724 - 000	G11 - 5				
HG1 - 4268 - 000	G93 -				
HG5 - 1039 - 000	G93 -				
HH2 - 2484 - 000	G11 - 7				
HH4 - 2181 - 000	G92 - Q27				
HH5 - 2055 - 000	G92 - Q7				
HH7 - 1477 - 000	G93 - L1				
HH7 - 2112 - 000	G93 - T2				
HH7 - 2120 - 000	G93 - T1				
HH7 - 2257 - 000	G93 - IC3				
	G93 - IC4				
WE8 - 5021 - 000	G92 - 4				
WG1 - 0157 - 000	G92 - LED1				
WK1 - 5102 - 000	G92 - BAT1				
WS9 - 5038 - 000	G11 - 3A				
XB1 - 2300 - 607	G11 - 501				
XB2 - 7400 - 607	G11 - 502				

D9 NUMERICAL INDEX (GP Hand Set-B1)

PART NUMBER	FIGURE & KEY NO.	PART NUMBER	FIGURE & KEY NO.	PART NUMBER	FIGURE & KEY NO.
FB3 - 3177 - 020	G97 - 1				
FB3 - 3178 - 000	G97 - 2				
FB3 - 3179 - 000	G97 - 3				
FH2 - 6352 - 000	G97 - 4				
HH7 - 2104 - 000	G97 - 5				
HH7 - 2124 - 000	G97 - 5				
XB1 - 2401 - 607	G97 - 5 0 1				

D10 NUMERICAL INDEX (Multi-PDL Printer Board-B1 Printer Board-P3)

PART NUMBER	FIGURE & KEY NO.	PART NUMBER	FIGURE & KEY NO.	PART NUMBER	FIGURE & KEY NO.
FB3 - 2379 - 000	K92 - 1	WG1 - 5229 - 000	K91 - LED6		
FF3 - 0520 - 000	K90 - 1		K92 - LED6		
	K91 - 1	WG1 - 5251 - 000	K90 - LED1		
	K92 - 2		K90 - LED3		
FF5 - 4600 - 000	K92 - 3		K90 - LED4		
FG5 - 6001 - 000	K95 -		K90 - LED5		
FG5 - 8696 - 000	K91 -		K91 - LED1		
FG5 - 8697 - 000	K92 -		K91 - LED3		
FG5 - 9164 - 000	K90 -		K91 - LED4		
FH4 - 1310 - 000	K90 - Q240		K91 - LED5		
	K92 - Q240		K92 - LED1		
FH4 - 3589 - 000	K95 - Q30		K92 - LED3		
FH4 - 3590 - 000	K95 - Q31		K92 - LED4		
FH4 - 3591 - 000	K95 - Q32		K92 - LED5		
FH4 - 3592 - 000	K95 - Q33	WS9 - 0104 - 000	K90 - 5		
FH4 - 3593 - 000	K95 - Q34		K91 - 4		
FH4 - 3594 - 000	K95 - Q35		K92 - 7		
FH4 - 3684 - 000	K90 - Q260	WS9 - 0239 - 000	K90 - 6		
	K91 - Q260		K91 - 5		
FH4 - 3685 - 000	K90 - Q261		K92 - 8		
	K91 - Q261	WT2 - 5487 - 000	K90 - 7		
FH4 - 5753 - 000	K90 - Q110		K91 - 6		
	K91 - Q110		K92 - 9		
	K92 - Q110	WT2 - 5488 - 000	K90 - 8		
FH4 - 5754 - 000	K90 - Q111		K91 - 7		
	K91 - Q111		K92 - 10		
	K92 - Q111	XB1 - 1301 - 007	K90 - 501		
FH4 - 5756 - 000	K90 - Q113		K91 - 501		
	K91 - Q113		K92 - 501		
	K92 - Q113	XB2 - 7300 - 607	K90 - 502		
FH4 - 5758 - 000	K90 - Q131		K91 - 502		
	K91 - Q131		K92 - 502		
	K92 - Q131	XB6 - 7300 - 607	K90 - 503		
FH4 - 5760 - 000	K90 - Q138		K91 - 503		
	K91 - Q138		K92 - 503		
	K92 - Q138				
FH4 - 5761 - 000	K90 - Q164				
	K91 - Q164				
	K92 - Q164				
FH4 - 5762 - 000	K90 - Q165				
	K91 - Q165				
	K92 - Q165				
FH4 - 5763 - 000	K90 - Q174				
	K91 - Q174				
	K92 - Q174				
FH4 - 5764 - 000	K90 - Q208				
	K91 - Q208				
	K92 - Q208				
FH4 - 5765 - 000	K90 - Q209				
	K91 - Q209				
	K92 - Q209				
FH4 - 5766 - 000	K90 - Q222				
	K91 - Q222				
	K92 - Q222				
FH4 - 5767 - 000	K90 - Q223				
	K91 - Q223				
	K92 - Q223				
FH4 - 5871 - 000	K90 - Q68				
	K91 - Q68				
	K92 - Q68				
FH4 - 5872 - 000	K90 - Q132				
	K91 - Q132				
	K92 - Q132				
FH4 - 5873 - 000	K90 - Q130				
	K91 - Q130				
	K92 - Q130				
FH4 - 5875 - 000	K90 - Q112				
	K91 - Q112				
	K92 - Q112				
RA9 - 0637 - 000	K90 - 2				
	K91 - 2				
	K92 - 4				
VD5 - 0222 - 001	K90 - FU1				
	K92 - FU1				
VS9 - 0033 - 050	K90 - 3				
	K92 - 5				
WA3 - 6695 - 000	K90 - Q141				
	K91 - Q141				
	K92 - Q141				
WA3 - 8311 - 000	K90 - 4				
	K91 - 3				
	K92 - 6				
WD9 - 0044 - 000	K90 - FU1				
	K92 - FU1				
WG1 - 5229 - 000	K90 - LED6				

D11 NUMERICAL INDEX (Envelope Feeder Attachment)

PART NUMBER	FIGURE & KEY NO.	PART NUMBER	FIGURE & KEY NO.	PART NUMBER	FIGURE & KEY NO.
FB3 - 2903 - 000	L10 - 1				
FB3 - 2908 - 000	L10 - 2				
FB3 - 2911 - 000	L10 - 3				
FB3 - 2912 - 000	L10 - 4				
FB3 - 2915 - 000	L10 - 5				
FB3 - 2916 - 000	L10 - 1				
FB3 - 2940 - 000	L10 - 6				
FB3 - 2941 - 000	L10 - 7				
FB3 - 2942 - 000	L10 - 8				
FB3 - 2943 - 000	L10 - 9				
FB3 - 2957 - 000	L10 - 10				
FB3 - 2958 - 000	L10 - 11				
FB3 - 2966 - 000	L10 - 12				
FS1 - 9200 - 000	L10 - 13				
XA9 - 0929 - 000	L10 - 14				

D12 NUMERICAL INDEX (Image Creation Board-B1)

PART NUMBER	FIGURE & KEY NO.	PART NUMBER	FIGURE & KEY NO.	PART NUMBER	FIGURE & KEY NO.
FB3 - 9957 - 000	M10 - 1				
FF3 - 1604 - 000	M10 - 2				
FF3 - 2285 - 000	M10 - 3				
FF3 - 2406 - 000	M10 - 2				
FG5 - 8282 - 000	M90 -				
FG5 - 8283 - 000	M91 -				
FG5 - 9398 - 000	M10 -				
FG5 - 9399 - 000	M10 -				
FH4 - 5818 - 000	M91 - I C105				
FH4 - 5819 - 000	M90 - I C2				
FH5 - 6082 - 000	M90 - 1				
VT2 - 5155 - 009	M10 - 4				
WE8 - 5204 - 000	M10 - 5				
WE8 - 5496 - 000	M10 - 6				
WT2 - 0494 - 000	M10 - 7				
WT2 - 5511 - 000	M10 - 8				
WT2 - 5523 - 000	M10 - 9				
XB1 - 2300 - 406	M10 - 501				

D13 NUMERICAL INDEX

PART NUMBER	FIGURE & KEY NO.	PART NUMBER	FIGURE & KEY NO.	PART NUMBER	FIGURE & KEY NO.
FB3 - 2379 - 000	U90 - 1				
FF3 - 1570 - 090	U90 - 2				
FF3 - 1571 - 090	U90 - 3				
FF3 - 1572 - 090	U90 - 4				
FF3 - 1573 - 090	U90 - 5				
FF3 - 1574 - 090	U90 - 6				
FF3 - 1575 - 090	U90 - 7				
FF5 - 4597 - 000	U90 - 8				
FG5 - 8703 - 040	U90 -				
FH4 - 5831 - 000	U90 - I C 1 5 0				
FH4 - 5839 - 000	U90 - I C 4				
FH6 - 3580 - 000	U90 - 9				
RA9 - 0637 - 000	U90 - 10				
RH4 - 3212 - 000	U90 - I C 2 2 0				
RH4 - 3213 - 000	U90 - I C 2 2 1				
WA3 - 8180 - 000	U90 - I C 1 0 0				
WS9 - 0104 - 000	U90 - 11				
WS9 - 0139 - 000	U90 - 12				
XB1 - 1301 - 007	U90 - 5 0 1				
XB2 - 7300 - 607	U90 - 5 0 2				
XB6 - 7300 - 607	U90 - 5 0 3				

D14 NUMERICAL INDEX (Network Interface Board-E3)

PART NUMBER	FIGURE & KEY NO.	PART NUMBER	FIGURE & KEY NO.	PART NUMBER	FIGURE & KEY NO.
FB3 - 2371 - 000	V90 - 1				
FF3 - 1085 - 000	V90 - 2				
FG5 - 6361 - 000	V90 -				
FG5 - 9143 - 000	V90 -				
FH2 - 6354 - 000	V90 - 3				
FH3 - 8081 - 000	V90 - Q 1				
FH4 - 3682 - 000	V90 - Q4 7				
FH4 - 5584 - 000	V90 - Q2 6				
FH4 - 5887 - 000	V90 - Q4 6				
RH6 - 3121 - 000	V90 - C 3				
	V90 - C 7 4				
	V90 - C 7 6				
	V90 - C13 3				
VT2 - 5027 - 005	V90 - 4				
WD1 - 0273 - 000	V90 - FU1				
WG1 - 5251 - 000	V90 - DS1				
	V90 - DS2				
	V90 - DS3				
	V90 - DS4				
WS9 - 5084 - 000	V90 - 5				
WT1 - 5412 - 000	V90 - 6				
XA9 - 0679 - 000	V90 - 7				
XB1 - 2300 - 407	V90 - 5 0 1				
XB1 - 2300 - 607	V90 - 5 0 2				
XB2 - 7400 - 806	V90 - 5 0 3				
XD1 - 2100 - 307	V90 - 5 0 4				

D15 NUMERICAL INDEX (Network Interface Board-E3e)

PART NUMBER	FIGURE & KEY NO.	PART NUMBER	FIGURE & KEY NO.	PART NUMBER	FIGURE & KEY NO.
FF3 - 2305 - 000	V92 - 1				
FF3 - 2306 - 000	V92 - 2				
FG5 - 9238 - 000	V92 -				
FG5 - 9239 - 000	V92 -				
FH2 - 6354 - 000	V92 - 3				
FH3 - 8081 - 000	V92 - Q147				
FH4 - 3694 - 000	V92 - Q128				
FH4 - 5888 - 000	V92 - Q131				
VT2 - 5027 - 005	V92 - 4				
WD1 - 0273 - 000	V92 - FU101				
WG1 - 5510 - 000	V92 - DS102				
	V92 - DS104				
WG1 - 5511 - 000	V92 - DS101				
	V92 - DS103				
WS9 - 0239 - 000	V92 - 5				
WS9 - 5084 - 000	V92 - 6				
WT1 - 5412 - 000	V92 - 7				
WT2 - 5509 - 000	V92 - DS101				
	V92 - DS103				
WT2 - 5516 - 000	V92 - 8				
XA9 - 0679 - 000	V92 - 9				
XB1 - 2300 - 407	V92 - 501				
XB1 - 2300 - 607	V92 - 502				
XB2 - 7400 - 806	V92 - 503				
XD1 - 2100 - 307	V92 - 504				

D16 NUMERICAL INDEX (Network Interface Board-TR3)

PART NUMBER	FIGURE & KEY NO.	PART NUMBER	FIGURE & KEY NO.	PART NUMBER	FIGURE & KEY NO.
FB3 - 2372 - 000	V94 - 1				
FF3 - 1087 - 000	V94 - 2				
FG5 - 6363 - 000	V94 -				
FG5 - 9145 - 000	V94 -				
FH2 - 6354 - 000	V94 - 3				
FH4 - 3693 - 000	V94 - Q12				
FH4 - 5715 - 000	V94 - Q6				
FH4 - 5716 - 000	V94 - Q9				
VT2 - 5027 - 005	V94 - 4				
WG1 - 5251 - 000	V94 - DS1				
	V94 - DS2				
	V94 - DS3				
	V94 - DS4				
WS9 - 0139 - 000	V94 - 5				
WT1 - 5412 - 000	V94 - 6				
XA9 - 0679 - 000	V94 - 7				
XB1 - 2300 - 407	V94 - 501				
XB1 - 2300 - 607	V94 - 502				
XB2 - 7400 - 806	V94 - 503				

D17 NUMERICAL INDEX (SCSI Interface Board-C1)

PART NUMBER	FIGURE & KEY NO.	PART NUMBER	FIGURE & KEY NO.	PART NUMBER	FIGURE & KEY NO.
FB3 - 2368 - 000	Y10 - 2 A				
FB4 - 0063 - 000	Y90 - 1				
FF3 - 1919 - 000	Y90 - 2				
FF3 - 1923 - 000	Y10 - 1				
FF5 - 4596 - 000	Y10 - 2				
FG5 - 8350 - 000	Y90 -				
FG5 - 8353 - 000	Y10 - 3				
FG5 - 8355 - 000	Y90 -				
FH2 - 6371 - 000	Y10 - 4				
FH2 - 6372 - 000	Y10 - 5				
FH2 - 6373 - 000	Y10 - 6				
FH2 - 6375 - 000	Y10 - 4				
FH2 - 6376 - 000	Y10 - 5				
FH2 - 6377 - 000	Y10 - 6				
FH4 - 5216 - 000	Y90 - I C 1 2 1				
FH4 - 5844 - 000	Y90 - I C 1 4 6				
FH4 - 5846 - 000	Y90 - I C 1 6 1				
FH6 - 8983 - 000	Y90 - 3				
VD5 - 0221 - 001	Y90 - FU101				
VT2 - 0013 - 060	Y10 - 7				
WD9 - 0044 - 000	Y90 - FU101				
WE8 - 5121 - 000	Y10 - 8				
WE8 - 5184 - 000	Y10 - 8				
WG1 - 5309 - 000	Y90 - LED101				
WS1 - 5531 - 000	Y10 - 9				
WT2 - 0494 - 000	Y10 - 10				
	Y10 - 11				
WT2 - 5018 - 010	Y10 - 10				
WT2 - 5056 - 000	Y10 - 12				
WT2 - 5064 - 000	Y10 - 13				
WT2 - 5157 - 000	Y10 - 14				
XA9 - 0633 - 000	Y10 - 15				
	Y10 - 16				
XA9 - 0886 - 000	Y10 - 17				
XB1 - 2400 - 609	Y10 - 5 0 1				
XB2 - 7400 - 607	Y10 - 5 0 2				
	Y10 - 5 0 3				

Prepared by
OFFICE IMAGING PRODUCTS TECHNICAL SUPPORT DEPT.3
OFFICE IMAGING PRODUCTS TECHNICAL SUPPORT DIV.
CANON INC.
Printed in Japan

REVISION 0 [NOV. 1995]
REVISION 1 [JUNE 1996]
REVISION 2 [MAR. 1997]
REVISION 3 [APR. 1998]
REVISION 4 [APR. 1999]

5-1, Hakusan 7-chome, Toride-shi, Ibaraki 302-8501, Japan

Canon